




Dell PowerEdge R730 Owner's Manual

Regulatory Model: E31S Series
Regulatory Type: E31S001



Notes, cautions, and warnings

-  **NOTE:** A NOTE indicates important information that helps you make better use of your product.
-  **CAUTION:** A CAUTION indicates either potential damage to hardware or loss of data and tells you how to avoid the problem.
-  **WARNING:** A WARNING indicates a potential for property damage, personal injury, or death.

Contents

| | |
|---|-----------|
| 1 Dell PowerEdge R730 system overview..... | 8 |
| Supported configurations for the PowerEdge R730 system..... | 8 |
| Front panel..... | 9 |
| 3.5 inch hard drive chassis..... | 9 |
| 2.5 inch hard drive chassis..... | 11 |
| LCD panel..... | 12 |
| Back panel..... | 15 |
| Diagnostic Indicators..... | 16 |
| Diagnostic indicators..... | 16 |
| Hard drive indicator codes..... | 17 |
| uSATA SSD indicator codes..... | 18 |
| NIC indicator codes..... | 19 |
| Power supply unit indicator codes..... | 19 |
| iDRAC Direct LED indicator codes..... | 22 |
| Quick Sync indicator codes..... | 23 |
| Locating Service Tag of your system..... | 23 |
| 2 Documentation resources..... | 24 |
| 3 Technical specifications..... | 26 |
| Chassis dimensions..... | 26 |
| Chassis weight..... | 26 |
| Processor specifications..... | 27 |
| PSU specifications..... | 27 |
| System battery specifications..... | 27 |
| Expansion bus specifications..... | 27 |
| Memory specifications..... | 28 |
| Drive specifications..... | 28 |
| Hard drives..... | 28 |
| Optical drive..... | 28 |
| Ports and connectors specifications..... | 28 |
| USB ports..... | 28 |
| NIC ports..... | 29 |
| Serial connector..... | 29 |
| VGA ports..... | 29 |
| Internal Dual SD Module..... | 29 |
| Video specifications..... | 29 |
| Environmental specifications..... | 29 |
| Particulate and gaseous contamination specifications | 30 |
| Standard operating temperature..... | 31 |
| Expanded operating temperature..... | 31 |
| Expanded operating temperature restrictions..... | 32 |



| | |
|--|-----------|
| 4 Initial system setup and configuration..... | 33 |
| Setting up your system..... | 33 |
| iDRAC configuration..... | 33 |
| Options to set up iDRAC IP address..... | 33 |
| Options to install the operating system..... | 34 |
| Methods to download firmware and drivers..... | 34 |
| 5 Pre-operating system management applications..... | 36 |
| Options to manage the pre-operating system applications..... | 36 |
| System Setup..... | 36 |
| Viewing System Setup..... | 36 |
| System Setup details..... | 37 |
| System BIOS..... | 37 |
| iDRAC Settings utility..... | 58 |
| Device Settings..... | 58 |
| Dell Lifecycle Controller..... | 59 |
| Embedded system management..... | 59 |
| Boot Manager..... | 59 |
| Viewing Boot Manager..... | 59 |
| Boot Manager main menu..... | 59 |
| PXE boot..... | 60 |
| 6 Installing and removing system components..... | 61 |
| Safety instructions..... | 61 |
| Before working inside your system..... | 61 |
| After working inside your system..... | 61 |
| Recommended tools..... | 62 |
| Front bezel (optional)..... | 62 |
| Removing the optional front bezel..... | 62 |
| Installing the optional front bezel..... | 64 |
| System cover..... | 65 |
| Removing the system cover..... | 65 |
| Installing the system cover..... | 66 |
| Inside the system..... | 67 |
| Cooling shroud..... | 68 |
| Removing the cooling shroud..... | 69 |
| Installing the cooling shroud..... | 70 |
| Cooling fans..... | 70 |
| Removing a cooling fan..... | 71 |
| Installing a cooling fan..... | 72 |
| Cooling fan assembly..... | 73 |
| Removing the cooling fan assembly..... | 73 |
| Installing the cooling fan assembly..... | 74 |
| System memory..... | 75 |
| General memory module installation guidelines..... | 77 |



| | |
|--|-----|
| Mode-specific guidelines..... | 77 |
| Sample memory configurations..... | 78 |
| Removing memory modules..... | 82 |
| Installing memory modules..... | 83 |
| Processors and heat sinks..... | 84 |
| Removing a heat sink..... | 85 |
| Removing a processor..... | 86 |
| Installing a processor..... | 90 |
| Installing a heat sink..... | 91 |
| PCIe card holder..... | 94 |
| Removing the PCIe card holder..... | 94 |
| Installing the PCIe card holder..... | 95 |
| Opening and closing the PCIe card holder latch..... | 95 |
| Cable retention bracket..... | 96 |
| Removing the cable retention bracket..... | 96 |
| Installing the cable retention bracket..... | 97 |
| Integrated storage controller card..... | 98 |
| Removing the integrated storage controller card..... | 99 |
| Installing the integrated storage controller card..... | 100 |
| Expansion cards and expansion card riser..... | 101 |
| Expansion card installation guidelines..... | 102 |
| Removing an expansion card from expansion card riser 2 or 3..... | 103 |
| Installing an expansion card into the expansion card riser 2 or 3..... | 104 |
| Removing an expansion card from the expansion card riser 1..... | 106 |
| Installing an expansion card into the expansion card riser 1..... | 107 |
| Removing the riser 1 blank..... | 108 |
| Installing the riser 1 blank..... | 109 |
| Removing expansion card risers..... | 110 |
| Installing expansion card risers..... | 114 |
| GPU card installation guidelines..... | 117 |
| Removing the GPU card..... | 118 |
| Installing a GPU card..... | 119 |
| Internal dual SD module (optional)..... | 120 |
| Removing an internal SD card..... | 120 |
| Installing an internal SD card..... | 121 |
| Removing the optional internal dual SD module..... | 121 |
| Installing the optional internal dual SD module..... | 123 |
| Network daughter card..... | 125 |
| Removing the network daughter card..... | 125 |
| Installing the network daughter card..... | 126 |
| Internal USB memory key (optional)..... | 128 |
| Replacing the optional internal USB memory key..... | 128 |
| System battery..... | 129 |
| Replacing the system battery..... | 129 |
| Power supply units..... | 130 |



| | |
|---|------------|
| Hot spare feature..... | 131 |
| Removing the power supply unit blank..... | 131 |
| Installing the power supply unit blank..... | 132 |
| Removing an AC power supply unit..... | 132 |
| Installing an AC power supply unit..... | 133 |
| Wiring instructions for a DC power supply unit..... | 134 |
| Removing a DC power supply unit..... | 137 |
| Installing a DC power supply unit..... | 138 |
| System board..... | 139 |
| Removing the system board..... | 139 |
| Installing the system board..... | 142 |
| Trusted Platform Module..... | 145 |
| Installing the Trusted Platform Module..... | 145 |
| Initializing the TPM for BitLocker users..... | 146 |
| Initializing the TPM for TXT users..... | 146 |
| Hard drives..... | 146 |
| Removing a 2.5-inch hard drive blank..... | 147 |
| Installing a 2.5-inch hard drive blank..... | 148 |
| Removing a 3.5-inch hard drive blank..... | 149 |
| Installing a 3.5-inch hard drive blank..... | 149 |
| Removing a hot swappable hard drive or SSD..... | 150 |
| Installing a hot-swap hard drive..... | 151 |
| Removing a hard drive from a hard drive carrier..... | 153 |
| Installing a hard drive into a hard drive carrier..... | 154 |
| Removing a 1.8-inch hard drive blank..... | 154 |
| Installing a 1.8-inch hard drive blank..... | 155 |
| Removing a 1.8-inch hard drive from a hard drive carrier..... | 156 |
| Installing a 1.8-inch hard drive into a hard drive carrier..... | 156 |
| Hard drive backplane..... | 157 |
| Removing the hard drive backplane | 157 |
| Installing the hard drive backplane | 165 |
| Tape backup unit (optional)..... | 167 |
| Removing the tape backup unit | 167 |
| Installing the tape backup unit | 168 |
| Optical drive (optional)..... | 169 |
| Removing the optical drive..... | 169 |
| Installing the optical drive..... | 170 |
| SD vFlash media card (optional)..... | 171 |
| Replacing an optional SD vFlash media card..... | 171 |
| Control panel assembly..... | 172 |
| Removing the control panel | 172 |
| Installing the control panel | 175 |
| 7 Using system diagnostics..... | 179 |
| Dell Embedded System Diagnostics..... | 179 |
| When to use the Embedded System Diagnostics..... | 179 |



| | |
|---|------------|
| Running the Embedded System Diagnostics from Boot Manager..... | 179 |
| Running the Embedded System Diagnostics from the Dell Lifecycle Controller..... | 179 |
| System diagnostic controls..... | 179 |
| 8 Jumpers and connectors..... | 181 |
| System board jumper settings..... | 181 |
| System board jumpers and connectors..... | 182 |
| Disabling a forgotten password..... | 184 |
| 9 Troubleshooting your system..... | 185 |
| Safety first — for you and your system..... | 185 |
| Troubleshooting system startup failure..... | 185 |
| Troubleshooting external connections..... | 185 |
| Troubleshooting the video subsystem..... | 185 |
| Troubleshooting a USB device..... | 186 |
| Troubleshooting iDRAC Direct (USB XML configuration)..... | 186 |
| Troubleshooting iDRAC Direct (Laptop connection)..... | 187 |
| Troubleshooting a serial I/O device..... | 187 |
| Troubleshooting a NIC..... | 187 |
| Troubleshooting a wet system..... | 188 |
| Troubleshooting a damaged system..... | 189 |
| Troubleshooting the system battery..... | 189 |
| Troubleshooting power supply units..... | 190 |
| Troubleshooting power source problems..... | 190 |
| Power supply unit problems..... | 190 |
| Troubleshooting cooling problems..... | 190 |
| Troubleshooting cooling fans..... | 191 |
| Troubleshooting system memory..... | 191 |
| Troubleshooting an internal USB key..... | 192 |
| Troubleshooting an SD card..... | 193 |
| Troubleshooting an optical drive..... | 193 |
| Troubleshooting a tape backup unit..... | 194 |
| Troubleshooting a hard drive..... | 194 |
| Troubleshooting a storage controller..... | 195 |
| Troubleshooting expansion cards..... | 196 |
| Troubleshooting processors..... | 197 |
| System messages..... | 197 |
| Warning messages..... | 197 |
| Diagnostic messages..... | 197 |
| Alert messages..... | 197 |
| 10 Getting help..... | 198 |
| Contacting Dell..... | 198 |
| Documentation feedback..... | 198 |
| Accessing system information by using QRL..... | 198 |
| Quick Resource Locator for PowerEdge R730 and R730xd systems..... | 199 |



Dell PowerEdge R730 system overview

The Dell PowerEdge R730 systems are rack servers that support up to two Intel Xeon E5-2600 v3 or Xeon E5-2600 v4 processors, up to 24 DIMMs, and 16 hard drives or solid state drives (SSDs).

Supported configurations for the PowerEdge R730 system

The Dell PowerEdge R730 system supports the following configurations:

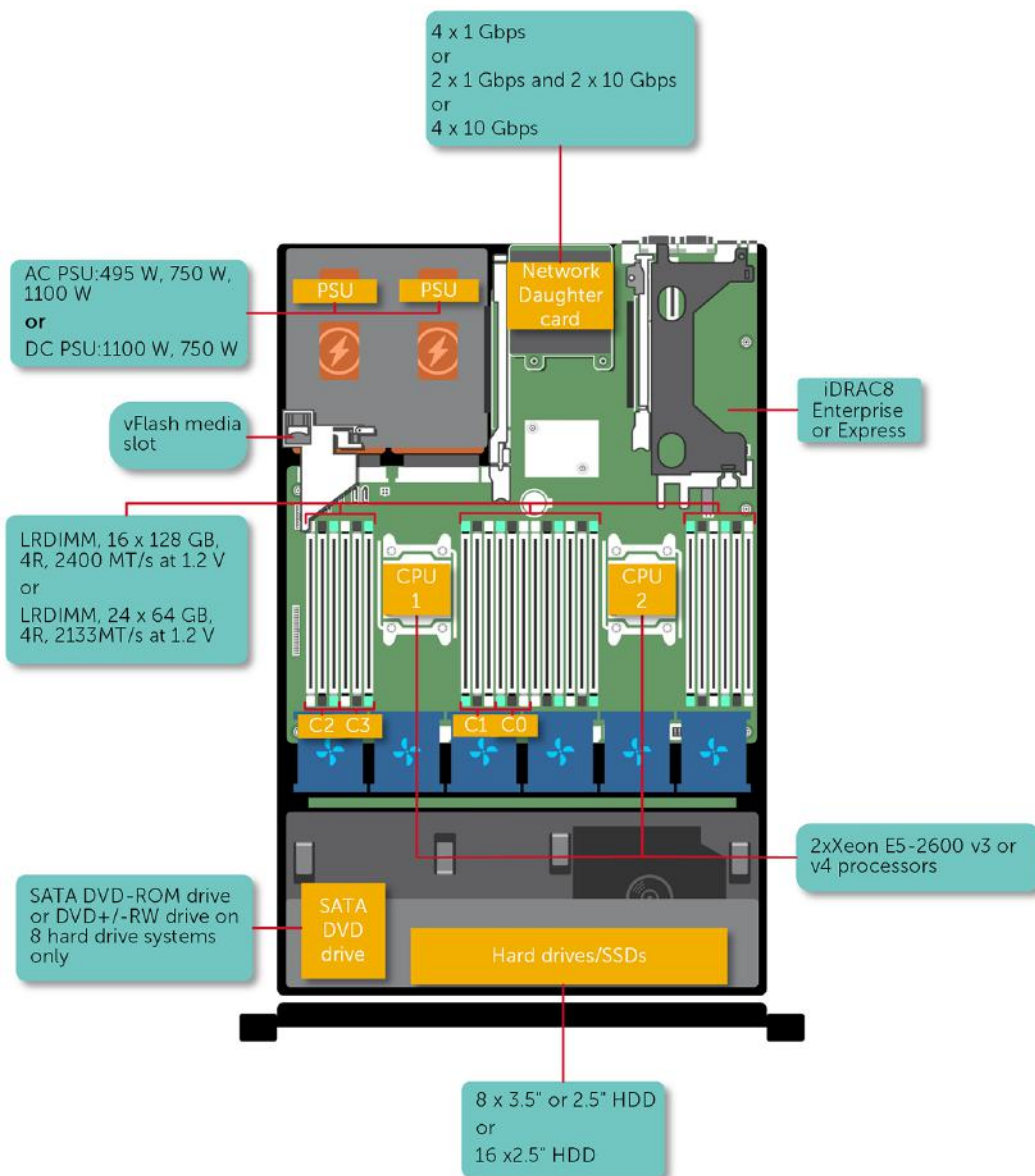


Figure 1. Supported configurations for the PowerEdge R730 system

Front panel

3.5 inch hard drive chassis

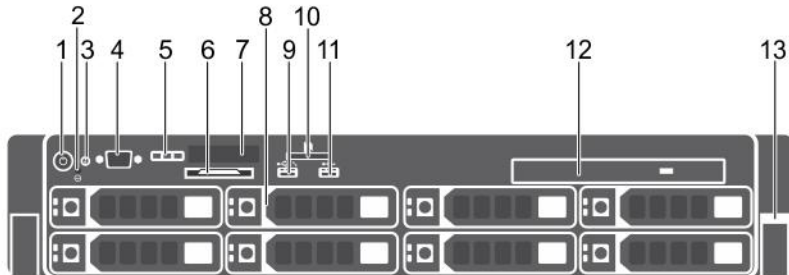











Figure 2. Front panel features (3.5-inch hard drive chassis)

- | | |
|-------------------------------------|----------------------------|
| 1. Power button | 2. NMI button |
| 3. System identification button | 4. Video connector |
| 5. LCD menu buttons | 6. Information tag |
| 7. LCD panel | 8. Hard drives |
| 9. USB management port/iDRAC Direct | 10. vFlash media card slot |
| 11. USB port | 12. Optical drive |
| 13. Quick Sync | |

Table 1. Front panel features (3.5-inch hard drive chassis)

| Item | Indicator, button, or connector | Icon | Description |
|------|---------------------------------|---|--|
| 1 | Power button |  | <p>The power button controls the power supply output to the system.</p> <p>NOTE: On ACPI compliant operating systems, when the power button is used to shutdown the system, the operating system performs a graceful shut down the system power is turned off.</p> |
| 2 | NMI button |  | <p>Enables you to troubleshoot software and device driver errors when running certain operating systems. This button can be pressed by using the end of a paper clip.</p> <p>NOTE: Use this button only if directed to do so by qualified support personnel or by instructions in the operating system's documentation.</p> |
| 3 | System identification button |  | <p>Enables you to locate a particular system within a rack. The identification buttons are located on the front and back panels. Press the system identification button to turn the system ID on or off.</p> |

| Item | Indicator, button, or connector | Icon | Description |
|------|----------------------------------|---|--|
| | | |  NOTE: <ul style="list-style-type: none"> If the system stops responding during POST, press and hold the system ID button (for more than five seconds) to enter BIOS progress mode. To reset the iDRAC (if not disabled in F2 iDRAC setup) press and hold the button (for more than 15 seconds). |
| 4 | Video connector |  | Enables you to connect a VGA display to the system. |
| 5 | LCD menu buttons | | Enable you to navigate the control panel LCD menu. |
| 6 | Information tag | | Contains system information such as service tag, NIC, MAC address for your reference. The information tag is a slide-out label panel. |
| 7 | LCD panel | | Displays system ID, status information, and system error messages. The LCD turns blue during normal system operation. When the system needs attention, the LCD turns amber and the LCD panel displays an error code followed by descriptive text. For more information, see LCD panel . |
| | | |  NOTE: If the system is connected to AC power and an error is detected, the LCD turns amber regardless of whether the system is turned on or off. |
| 8 | Hard drives | | Up to eight 3.5-inch hot-swappable drives. |
| 9 | USB management port/iDRAC Direct |  | The USB management port is USB 2.0 compliant. Enables you to connect USB devices to the system or provides access to the iDRAC Direct features. For more information, see the Integrated Dell Remote Access Controller User's Guide at Dell.com/idracmanuals . |
| 10 | SD vFlash media card slot |  | Enables you to insert a vFlash media card. |
| 11 | USB port |  | Enables you to connect USB devices to the system. The ports are USB 2.0-compliant. |
| 12 | Optical drive (optional) | | One optional SATA DVD-ROM drive or DVD+/-RW drive. |
| 13 | Quick Sync (optional) | | Indicates a Quick Sync enabled system. The Quick Sync feature is optional and needs a Quick Sync bezel. This feature allows management of the system by using mobile devices. This feature aggregates hardware or firmware inventory and various system level diagnostic and error information that can be used in troubleshooting the system. For more information, see the Integrated Dell Remote Access Controller User's Guide at Dell.com/idracmanuals . |

2.5 inch hard drive chassis

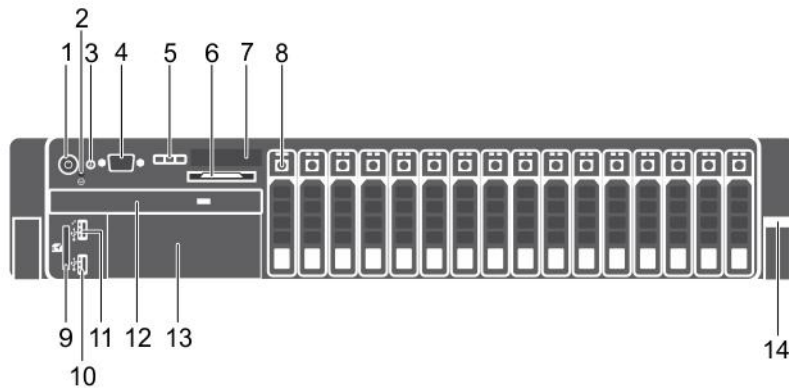














Figure 3. Front panel features (2.5-inch hard drive/SSD chassis)

- | | | | |
|-----|----------------------------------|-----|-----------------|
| 1. | Power button | 2. | NMI button |
| 3. | System identification button | 4. | Video connector |
| 5. | LCD menu buttons | 6. | Information tag |
| 7. | LCD panel | 8. | Hard drives |
| 9. | vFlash media card slot | 10. | USB port |
| 11. | USB management port/iDRAC Direct | 12. | Optical drive |
| 13. | Tape drive slot | 14. | Quick Sync |

Table 2. Front panel features (2.5-inch hard drive/SSD chassis)


| Item | Indicator, button, or connector | Icon | Description |
|------|---------------------------------|---|---|
| 1 | Power button |  | <p>Enables you to know the power status of the system. The power indicator turns on when the system power is on. The power button controls the power supply output to the system.</p> <p> NOTE: On ACPI compliant operating systems, when the power button is used to shutdown the system, the operating system performs a graceful shut down the system power is turned off.</p> |
| 2 | NMI button |  | <p>Enables you to troubleshoot software and device driver errors when running certain operating systems. This button can be pressed by using the end of a paper clip.</p> <p> NOTE: Use this button only if directed to do so by qualified support personnel or by instructions in the operating system's documentation.</p> |
| 3 | System identification button |  | <p>Enables you to locate a particular system within a rack. The identification buttons are located on the front and back panels. Press the system identification button to turn the system ID on or off.</p> |

| Item | Indicator, button, or connector | Icon | Description |
|------|----------------------------------|---|---|
| | | |  NOTE: <ul style="list-style-type: none"> If the system stops responding during POST, press and hold the system ID button (for more than five seconds) to enter BIOS progress mode. To reset the iDRAC (if not disabled in F2 iDRAC setup) press and hold the button (for more than 15 seconds). |
| 4 | Video connector |  | Enables you to connect a VGA display to the system. |
| 5 | LCD menu buttons | | Enable you to navigate the control panel LCD menu. |
| 6 | Information tag | | Contains system information such as service tag, NIC, MAC address for your reference. The information tag is a slide-out label panel. |
| 7 | LCD panel | | <p>Displays system ID, status information, and system error messages. The LCD turns blue during normal system operation. When the system needs attention, the LCD turns amber and the LCD panel displays an error code followed by descriptive text.</p> <p> NOTE: If the system is connected to AC power and an error is detected, the LCD turns amber regardless of whether the system is turned on or off.</p> <p>For more information, see LCD panel.</p> |
| 8 | Hard drives | | Up to sixteen 2.5-inch hot-swappable hard drives. |
| 9 | vFlash media card slot |  | Enables you to insert a vFlash media card. |
| 10 | USB port |  | Enables you to connect USB devices to the system. The ports are USB 2.0 compliant. |
| 11 | USB management port/iDRAC Direct |  | The USB management port is USB 2.0 compliant. Enables you to connect USB devices to the system or provides access to the iDRAC Direct features. For more information, see the Integrated Dell Remote Access Controller User's Guide at Dell.com/idracmanuals . |
| 12 | Optical drive (optional) | | One optional SATA DVD-ROM drive or DVD+/-RW drive. |
| | | |  NOTE: DVD devices are data only. |
| 13 | Tape drive slot | | One optional 3.5-inch tape backup unit. |
| 14 | Quick Sync (optional) | | Indicates a Quick Sync enabled system. The Quick Sync feature is optional and needs a Quick Sync bezel. This feature allows management of the system by using mobile devices. This feature aggregates hardware or firmware inventory and various system level diagnostic and error information that can be used in troubleshooting the system. For more information, see the Integrated Dell Remote Access Controller User's Guide at Dell.com/idracmanuals . |

LCD panel

The LCD panel of your system provides system information, status, and error messages to indicate if the system is functioning correctly or if the system needs attention. For more information about error messages, see the *Dell Event and Error Messages Reference Guide* at Dell.com/openmanagemanuals > **OpenManage software**.

- The LCD backlight turns blue during normal operating conditions.

- When the system needs attention, the LCD turns amber, and displays an error code followed by descriptive text.
-  **NOTE: If the system is connected to a power source and an error is detected, the LCD turns amber regardless of whether the system is turned on or off.**
- The LCD backlight is turned off when the system is in standby mode and can be turned on by pressing either the Select, Left, or Right button on the LCD panel.
- The LCD backlight remains off if LCD messaging is turned off using the iDRAC utility, the LCD panel, or other tools.

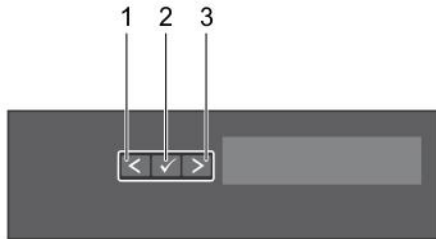



Figure 4. LCD panel features

Table 3. LCD panel features

| Item | Button | Description |
|------|--------|---|
| 1 | Left | Moves the cursor back in one-step increments. |
| 2 | Select | Selects the menu item highlighted by the cursor. |
| 3 | Right | Moves the cursor forward in one-step increments. During message scrolling: <ul style="list-style-type: none"> Press and hold the button to increase scrolling speed. Release the button to stop. |

 **NOTE: The display stops scrolling when the button is released. After 45 seconds of inactivity the display starts scrolling.**

Related links



- [Viewing Home screen](#)
- [Setup menu](#)
- [View menu](#)

Viewing Home screen

About this task

The **Home** screen displays user-configurable information about the system. This screen is displayed during normal system operation when there are no status messages or errors. When the system is in standby mode, the LCD backlight turns off after a few minutes of inactivity, if there are no error messages.

Steps

- To view the **Home** screen, press one of the three navigation buttons (Select, Left, or Right).
- To navigate to the **Home** screen from another menu, complete the following steps:
 - Press and hold the up arrow  until the **Home** icon  is displayed.
 - Select the **Home** icon.
 - On the **Home** screen, press the **Select** button to enter the main menu.

Related links

- [LCD panel](#)
- [Setup menu](#)
- [View menu](#)



Setup menu

 **NOTE: When you select an option in the Setup menu, you must confirm the option before proceeding to the next action.**

| Option | Description |
|-----------|--|
| iDRAC | Select DHCP or Static IP to configure the network mode. If Static IP is selected, the available fields are IP , Subnet (Sub) , and Gateway (Gtw) . Select Setup DNS to enable DNS and to view domain addresses. Two separate DNS entries are available. |
| Set error | Select SEL to view LCD error messages in a format that matches the IPMI description in the SEL. This enables you to match an LCD message with an SEL entry. Select Simple to view LCD error messages in a simplified user-friendly description. For more information about error messages, see the <i>Dell Event and Error Messages Reference Guide</i> at Dell.com/openmanagemanuals > OpenManage software . |
| Set home | Select the default information to be displayed on the Home screen. See View menu section for the options and option items that can be set as the default on the Home screen. |

Related links

[LCD panel](#)

[Viewing Home screen](#)

[View menu](#)

View menu

 **NOTE: When you select an option in the View menu, you must confirm the option before proceeding to the next action.**

| Option | Description |
|-------------|--|
| iDRAC IP | Displays the IPv4 or IPv6 addresses for iDRAC8. Addresses include DNS (Primary and Secondary) , Gateway , IP , and Subnet (IPv6 does not have Subnet). |
| MAC | Displays the MAC addresses for iDRAC , iSCSI , or Network devices. |
| Name | Displays the name of the Host , Model , or User String for the system. |
| Number | Displays the Asset tag or the Service tag for the system. |
| Power | Displays the power output of the system in BTU/hr or Watts. The display format can be configured in the Set home submenu of the Setup menu. |
| Temperature | Displays the temperature of the system in Celsius or Fahrenheit. The display format can be configured in the Set home submenu of the Setup menu. |

Related links

[LCD panel](#)

[Viewing Home screen](#)

[Setup menu](#)

Back panel

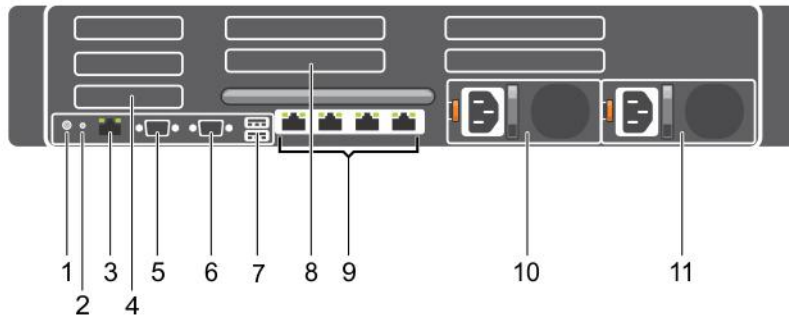



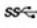
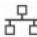
Figure 5. Back panel features

- | | |
|---------------------------------|---|
| 1. System identification button | 2. System identification connector |
| 3. iDRAC8 Enterprise port | 4. Half-height PCIe expansion card slot |
| 5. Serial connector | 6. Video connector |
| 7. USB port | 8. Full-height PCIe expansion card slot |
| 9. Ethernet connector | 10. Power supply unit 1 |
| 11. Power supply unit 2 | |

Table 4. Back panel features

| Item | Indicator, button, or connector | Icon | Description |
|------|--|------|--|
| 1 | System identification button | | <p>The identification buttons on the front and back panels can be used to locate a particular system within a rack.</p> <p>When one of these buttons is pressed, the LCD panel on the front and the system status indicator on the back flashes until one of the buttons is pressed again.</p> <p>Press to toggle the system identification (ID) on or off.</p> <p>If the system stops responding during POST, press and hold the system ID button for more than five seconds to enter BIOS progress mode.</p> <p>To reset iDRAC (if not disabled in F2 iDRAC setup) press and hold the button for more than 15 seconds.</p> |
| 2 | System identification connector | | Connects the optional system status indicator assembly through the optional cable management arm. |
| 3 | iDRAC8 Enterprise port | | Dedicated management port. |
| 4 | Half-height PCIe expansion card slot (3) | | Enables you to connect up to three half-height PCI Express expansion cards. |
| 5 | Serial connector | | Enables you to connect a serial device to the system. |



| Item | Indicator, button, or connector | Icon | Description |
|------|--|---|--|
| 6 | Video connector |  | Enables you to connect a VGA display to the system. |
| 7 | USB port (2) |  | Enables you to connect USB devices to the system. The ports are USB 3.0-compliant. |
| 8 | Full-height PCIe expansion card slot (4) | | Enables you to connect up to four full-height PCI Express expansion cards. |
| 9 | Ethernet connector (4) |  | Four integrated 10/100/1000 Mbps Network Interface Card (NIC) connectors or Four integrated connectors that include: <ul style="list-style-type: none"> Two 10/100/1000 Mbps NIC connectors Two 100 Mbps/1 Gbps/10 Gbps SFP+/10 GbE T connectors |
| 10 | Power supply unit (PSU1) | | AC 495 W, 750 W, or 1100 W |
| 11 | Power supply unit (PSU2) | | or DC 750 W or 1100 W |

Diagnostic Indicators

The diagnostic indicators on the system front panel display error status during system startup.

Diagnostic indicators

The diagnostic indicators on the system front panel display system status during system startup.

 **NOTE: The diagnostic indicators are not present if the system is equipped with an LCD display.**








 **NOTE: No diagnostic indicators are lit when the system is turned off. To start the system, plug it into a working power source and press the power button.**

Table 5. Diagnostic indicators

| Icon | Description | Condition | Corrective action |
|---|----------------------|--|--|
|  | Health indicator | The indicator turns solid blue if the system is in good health. The indicator flashes amber: <ul style="list-style-type: none"> When the system is turned on. When the system is in standby. If any error condition exists. For example, a failed fan, PSU, or a hard drive. | None required. Check the System Event Log or system messages for the specific issue. For more information about error messages, see the <i>Dell Event and Error Messages Reference Guide</i> at Dell.com/openmanagemanuals > OpenManage software . The POST process is interrupted without any video output due to invalid memory configurations. See the Getting help section. |
|  | Hard drive indicator | The indicator flashes amber if there is a hard drive error. | Check the System Event Log to determine the hard drive that has an error. Run the appropriate Online Diagnostics test. Restart the system and run embedded diagnostics (ePSA). If the hard drives are |

| Icon | Description | Condition | Corrective action |
|---|-----------------------|--|--|
|  | Electrical indicator | The indicator flashes amber if the system experiences an electrical error (for example, voltage out of range, or a failed power supply unit (PSU) or voltage regulator). | configured in a RAID array, restart the system and enter the host adapter configuration utility program. Check the System Event Log or system messages for the specific issue. If it is due to a problem with the PSU, check the LED on the PSU. Reseat the PSU. If the problem persists, see the Getting help section. |
|  | Temperature indicator | The indicator flashes amber if the system experiences a thermal error (for example, the ambient temperature is out of range or fan failure). | Ensure that none of the following conditions exist: <ul style="list-style-type: none"> • A cooling fan has been removed or has failed. • System cover, cooling shroud, EMI filler panel, memory module blank, or back filler bracket is removed. • Ambient temperature is too high. • External airflow is obstructed. See the Getting help section. |
|  | Memory indicator | The indicator flashes amber if a memory error occurs. | Check the system event log or system messages for the location of the failed memory. Reseat the memory module. If the problem persists, see the Getting help section. |
|  | PCIe indicator | The indicator flashes amber if a PCIe card experiences an error. | Restart the system. Update any required drivers for the PCIe card. Reinstall the card. If the problem persists, see the Getting help section. |

Related links

[Getting help](#)

[Expansion card installation guidelines](#)

Hard drive indicator codes

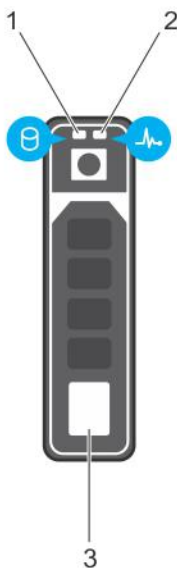


Figure 6. Hard drive indicators

1. hard drive activity indicator

2. hard drive status indicator



- hard drive

NOTE: If the hard drive is in the Advanced Host Controller Interface (AHCI) mode, the status indicator (on the right side) does not function and remains off.

Table 6. Hard drive indicator codes

| Drive-status indicator pattern (RAID only) | Condition |
|---|--|
| Flashes green twice per second | Identifying drive or preparing for removal. |
| Off | Drive ready for insertion or removal. |
| | NOTE: The drive status indicator remains off until all hard drives are initialized after the system is turned on. Drives are not ready for insertion or removal during this time. |
| Flashes green, amber, and turns off | Predicted drive failure |
| Flashes amber four times per second | Drive failed |
| Flashes green slowly | Drive rebuilding |
| Steady green | Drive online |
| Flashes green for three seconds, amber for three seconds, and turns off after six seconds | Rebuild stopped |

uSATA SSD indicator codes



Figure 7. uSATA SSD indicators

- uSATA SSD activity indicator
- uSATA SSD status indicator
- uSATA SSD

NOTE: If the SSD is in the Advanced Host Controller Interface (AHCI) mode, the status indicator (on the right side) does not function and remains off.

Table 7. Drive status indicator codes

| Drive-status indicator pattern | Condition |
|--------------------------------|--|
| Flashes green twice per second | Identifying drive or preparing for removal. |
| Off | Drive ready for insertion or removal. |
| | NOTE: The drive status indicator remains off until all hard drives are initialized after the system is turned on. Drives are not ready for insertion or removal during this time. |

| Drive-status indicator pattern | Condition |
|---|-------------------------|
| Flashes green, amber, and turns off | Predicted drive failure |
| Flashes amber four times per second | Drive failed |
| Steady green | Drive online |
| Flashes green for three seconds, amber for three seconds, and turns off after six seconds | Rebuild aborted |

NIC indicator codes

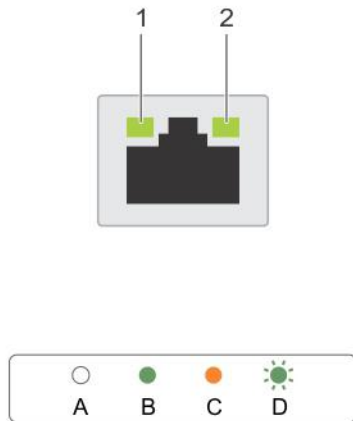


Figure 8. NIC indicators

1. link indicator
2. activity indicator

Table 8. NIC indicators

| Convention | Status | Condition |
|------------|--------------------------------------|--|
| A | Link and activity indicators are off | The NIC is not connected to the network. |
| B | Link indicator is green | The NIC is connected to a valid network at its maximum port speed (1 Gbps or 10 Gbps). |
| C | Link indicator is amber | The NIC is connected to a valid network at less than its maximum port speed. |
| D | Activity indicator is flashing green | Network data is being sent or received. |

Power supply unit indicator codes

AC power supply units (PSUs) have an illuminated translucent handle that serves as an indicator and DC PSUs have an LED that serves as an indicator. The indicator shows whether power is present or a power fault has occurred.

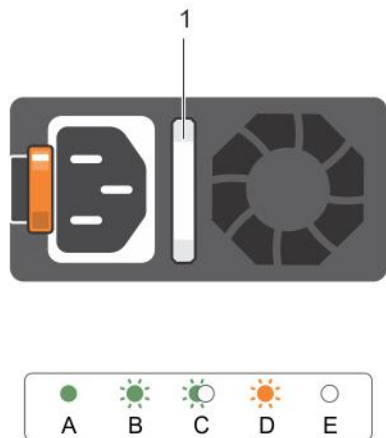








Figure 9. AC PSU status indicator

1. AC PSU status indicator/handle

Table 9. AC PSU status indicators

| Convention | Power indicator pattern | Condition |
|------------|------------------------------|---|
| A | Green | A valid power source is connected to the PSU and the PSU is operational. |
| B | Flashing green | When the firmware of the PSU is being updated, the PSU handle flashes green. |
| C | Flashing green and turns off | When hot-adding a PSU, the PSU handle flashes green five times at 4 Hz rate and turns off. This indicates a PSU mismatch with respect to efficiency, feature set, health status, and supported voltage. <ul style="list-style-type: none">  NOTE: Ensure that both the PSUs are of the same capacity.  CAUTION: For AC PSUs, use only PSUs with the Extended Power Performance (EPP) label on the back.  NOTE: Mixing PSUs from previous generations of Dell PowerEdge servers can result in a PSU mismatch condition or failure to turn the system on. |
| D | Flashing amber | Indicates a problem with the PSU. <ul style="list-style-type: none">  CAUTION: When correcting a PSU mismatch, replace only the PSU with the flashing indicator. Swapping the PSU to make a matched pair can result in an error condition and unexpected system shutdown. To change from a high output configuration to a low output configuration or vice versa, you must power down the system.  CAUTION: AC PSUs support both 220 V and 110 V input voltages with the exception of Titanium PSUs, which support only 220 V. When two identical PSUs receive different input voltages, they can output different wattages, and trigger a mismatch.  CAUTION: If two PSUs are used, they must be of the same type and have the same maximum output power. |

| Convention | Power indicator pattern | Condition |
|------------|-------------------------|-----------|
|------------|-------------------------|-----------|

⚠ **CAUTION: Combining AC and DC PSUs is not supported and triggers a mismatch.**

E Not lit Power is not connected.

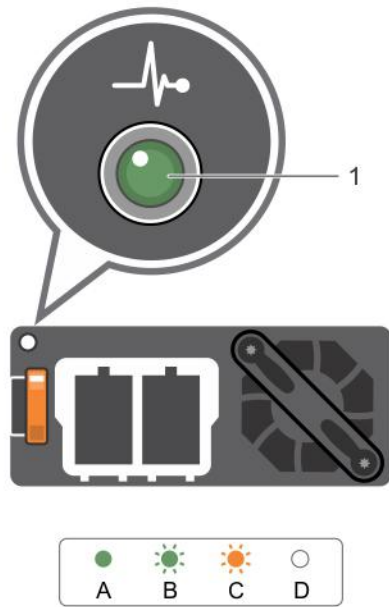



Figure 10. DC PSU status indicator

1. DC PSU status indicator

Table 10. DC PSU status indicators

| Convention | Power indicator pattern | Condition |
|------------|-------------------------|--|
| A | Green | A valid power source is connected to the PSU and that the PSU is operational. |
| B | Flashing green | When hot-adding a PSU, the PSU indicator flashes green. This indicates that there is a PSU mismatch with respect to efficiency, feature set, health status, and supported voltage. Ensure that both the PSUs are of the same capacity. |
| C | Flashing amber | Indicates a problem with the PSU. ⚠ CAUTION: When correcting a PSU mismatch, replace only the PSU with the flashing indicator. Swapping the PSU to make a matched pair can result in an error condition and unexpected system shutdown. To change from a High Output configuration to a Low Output configuration or vice versa, you must power down the system. ⚠ CAUTION: AC PSU support both 220 V and 110 V input voltages with the exception of Titanium PSU, which support only 220 V. When two identical PSU receive different input voltages, they can output different wattages, and trigger a mismatch. ⚠ CAUTION: If two PSU are used, they must be of the same type and have the same maximum output power. |

| Convention | Power indicator pattern | Condition |
|------------|-------------------------|---|
| | |  CAUTION: Combining AC and DC PSU is not supported and triggers a mismatch. |
| D | Not lit | Power is not connected. |

iDRAC Direct LED indicator codes

 **NOTE: The iDRAC Direct LED indicator does not turn on when the USB port is used in the USB mode.**

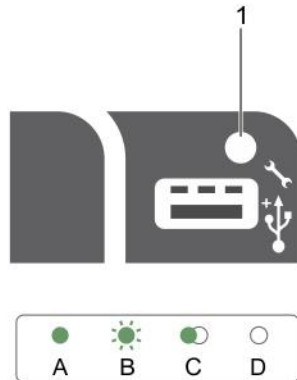


Figure 11. iDRAC Direct LED indicator

1. iDRAC Direct status indicator

The iDRAC Direct LED indicator table describes iDRAC Direct activity when configuring iDRAC Direct by using the management port (USB XML Import).

Table 11. iDRAC Direct LED indicators

| Convention | iDRAC Direct LED indicator pattern | Condition |
|------------|------------------------------------|--|
| A | Green | Turns green for a minimum of two seconds to indicate the start and end of a file transfer. |
| B | Flashing green | Indicates file transfer or any operation tasks. |
| C | Green and turns off | Indicates that the file transfer is complete. |
| D | Not lit | Indicates that the USB is ready to be removed or that a task is complete. |

The following table describes iDRAC Direct activity when configuring iDRAC Direct by using your laptop and cable (Laptop Connect):

Table 12. iDRAC Direct LED indicator patterns

| iDRAC Direct LED indicator pattern | Condition |
|---|--|
| Solid green for two seconds | Indicates that the laptop is connected. |
| Flashing green (on for two seconds and off for two seconds) | Indicates that the laptop connected is recognized. |
| Turns off | Indicates that the laptop is unplugged. |

Quick Sync indicator codes

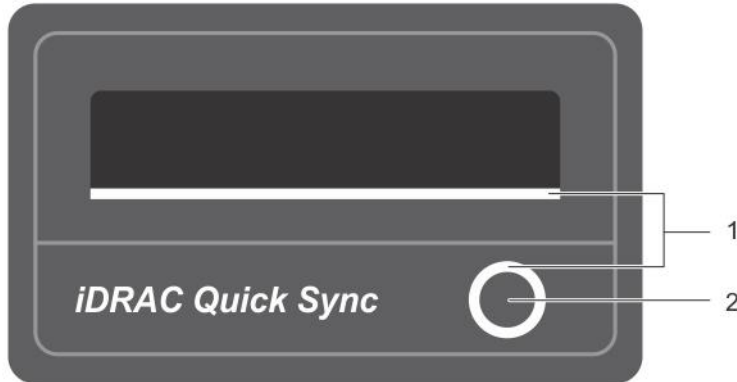


Figure 12. Quick Sync

1. Quick Sync Status Indicator
2. Quick Sync Activation Button

Table 13. Quick Sync indicator codes

| Quick Sync indicator pattern | Condition |
|---|---|
| Slow blink | Quick Sync is waiting to be configured from iDRAC. |
| Solid | Quick Sync is ready to transfer. |
| Blinks three times rapidly and then turns off | Quick Sync feature is disabled from iDRAC. |
| Blinks continuously when the mobile device touches antenna | Indicates data transfer activity. |
| Blinks rapidly continuously when the activation button is pressed | Quick Sync hardware is not responding properly. |
| Turns off | Indicates that the Quick Sync feature is turned off. Use the activation button to activate it. If pressing the activation button does not turn on the LEDs, it indicates that power is not delivered to the Quick Sync bezel. |

Locating Service Tag of your system

Your system is identified by a unique Express Service Code and Service Tag number. The Express Service Code and Service Tag are found on the front of the system by pulling out the information tag. Alternatively, the information may be on a sticker on the chassis of the system. This information is used by Dell to route support calls to the appropriate personnel.

Documentation resources

This section provides information about the documentation resources for your system.

Table 14. Documentation resources for system

| Task | Document | Location |
|-------------------------|---|--|
| Setting up your system | For information about installing the system into a rack, see the Rack documentation included with your rack solution. | Dell.com/poweredgemanuals |
| | For information about turning on the system and the technical specifications of your system, see the <i>Getting Started With Your System</i> that shipped with your system. | Dell.com/poweredgemanuals |
| | For information about <i>Getting Started With Your System</i> that shipped with your system or the Technical specifications section in this document. | Dell.com/poweredgemanuals |
| Configuring your system | For information about iDRAC features, configuring and logging in to iDRAC, and managing your system remotely, see the Integrated Dell Remote Access Controller User's Guide. | Dell.com/idracmanuals |
| | For information about installing the operating system, see the operating system documentation. | Dell.com/operatingsystemmanuals |
| | For information about understanding Remote Access Controller Admin (RACADM) subcommands and supported RACADM interfaces, see the RACADM Command Line Reference Guide for iDRAC. | Dell.com/idracmanuals |
| | For information about updating drivers and firmware, see the Download firmware and drivers section in this document. | Dell.com/support/drivers |
| Managing your system | For information about the features of the Dell OpenManage Systems Management, see the Dell OpenManage Systems Management Overview Guide. | Dell.com/openmanagemanuals |
| | For information about setting up, using, and troubleshooting OpenManage, see the Dell OpenManage Server Administrator User's Guide. | Dell.com/openmanagemanuals |
| | For information about installing, using, and troubleshooting Dell OpenManage Essentials, see the Dell OpenManage Essentials User's Guide. | Dell.com/openmanagemanuals |

| Task | Document | Location |
|--|--|--|
| | For information about installing and using Dell System E-Support Tool (DSET), see the Dell System E-Support Tool (DSET) User's Guide. | Dell.com/DSET |
| | For information about installing and using Active System Manager (ASM), see the Active System Manager User's Guide. | Dell.com/asmdocs |
| | For understanding the features of Dell Lifecycle Controller (LCC), see the Dell Lifecycle Controller User's Guide. | Dell.com/idracmanuals |
| | For information about partner programs enterprise systems management, see the OpenManage Connections Enterprise Systems Management documents. | Dell.com/omconnectionsenterprisesystemsmanagement |
| | For information about connections and client systems management, see the OpenManage Connections Client Systems Management documentation. | Dell.com/dellclientcommandsuitemanuals |
| | For information about viewing inventory, performing configuration and monitoring tasks, remotely turning on or off servers, and enabling alerts for events on servers and components using the Dell Chassis Management Controller (CMC), see the CMC User's Guide. | Dell.com/esmmanuals |
| Working with Dell PowerEdge RAID controllers | For information about understanding the features of the Dell PowerEdge RAID controllers (PERC) and deploying the PERC cards, see the Storage controller documentation. | Dell.com/storagecontrollermanuals |
| Understanding event and error messages | For information about checking the event and error messages generated by the system firmware and agents that monitor system components, see the Dell Event and Error Messages Reference Guide. | Dell.com/openmanagemanuals > OpenManage software |



Technical specifications

The technical and environmental specifications of your system are outlined in this section.

Chassis dimensions

This section describes the physical dimensions of the system.

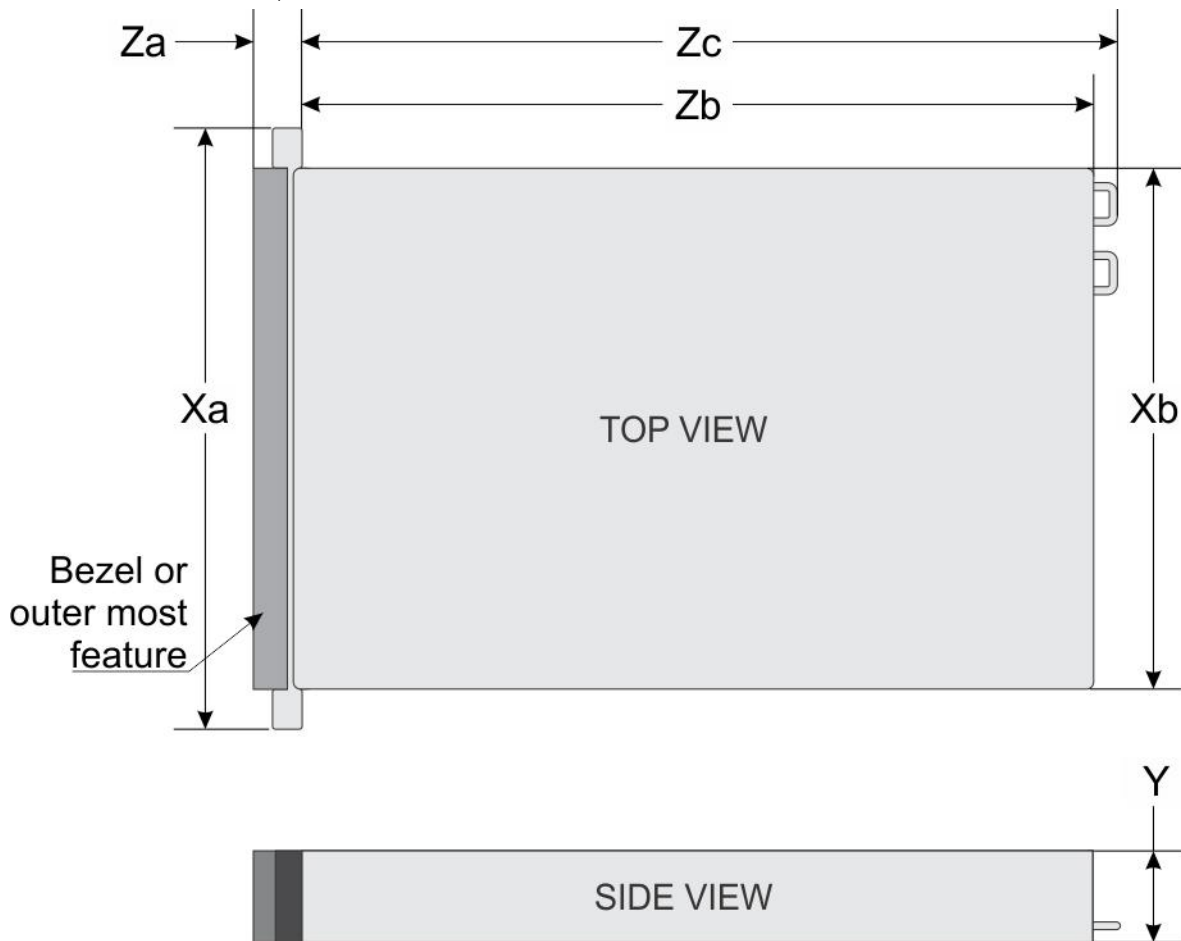


Figure 13. Chassis dimensions of the PowerEdge R730 system

Table 15. Dimensions of the Dell PowerEdge R730 system

| Xa | Xb | Y | Za (with bezel) | Za (without bezel) | Zb | Zc |
|----------|----------|---------|-----------------|--------------------|----------|----------|
| 482.4 mm | 444.0 mm | 87.3 mm | 32.0 mm | 18.0 mm | 684.0 mm | 723.0 mm |

Chassis weight

This section describes the weight of the system.

Table 16. Chassis weight

| System | Maximum weight (with all hard drives/SSDs) |
|----------------|--|
| PowerEdge R730 | <ul style="list-style-type: none"> 31.5 kg (69.45 lb) (3.5-inch hard drive systems) 31.4 kg (69.23 lb) (2.5-inch hard drive systems) |

Processor specifications

The PowerEdge R730 system supports up to two Intel Xeon E5-2600 v3 or Intel Xeon E5-2600 v4 product family processors.

PSU specifications

The PowerEdge R730 system supports up to two AC or DC redundant power supply units (PSUs).

Table 17. PSU specifications

| PSU | Class | Heat dissipation (maximum) | Frequency | Voltage |
|---------------------------|----------|----------------------------|-----------|---------------------------|
| 495 W AC | Platinum | 1908 BTU/hr | 50/60 Hz | 100–240 V AC, autoranging |
| 750 W AC | Platinum | 2891 BTU/hr | 50/60 Hz | 100–240 V AC, autoranging |
| | Titanium | 2843 BTU/hr | 50/60 Hz | 200–240 V AC, autoranging |
| 1100 W AC | Platinum | 4100 BTU/hr | 50/60 Hz | 100–240 V AC, autoranging |
| 750 W DC (for China only) | Platinum | 2902 BTU/hr | | 100–240 V AC and 240 V DC |
| 1100 W DC | N/A | 4416 BTU/hr | N/A | –(48–60) V DC |

 **NOTE: Heat dissipation is calculated using the PSU wattage rating.**

 **NOTE: This system is also designed to connect to the IT power systems with a phase to phase voltage not exceeding 230 V.**

System battery specifications

The PowerEdge R730 system supports CR 2032 3.0-V lithium coin cell system battery.

Expansion bus specifications

The PowerEdge R730 system supports PCI express (PCIe) generation 3 expansion cards, which need to be installed on the system board using expansion card risers. This system supports three types of expansion card risers. The following table provides the expansion card riser specifications:

Table 18. Expansion card riser specifications

| Expansion card riser | PCIe slots on the riser | Height | Length | Link |
|----------------------|-------------------------|-------------|-------------|------|
| Riser 1 | Slot 1 | half-height | low-profile | x8 |
| Riser 1 | Slot 2 | half-height | low-profile | x8 |
| Riser 1 | Slot 3 | half-height | low-profile | x8 |
| Riser 2 | Slot 4 | full-height | full-length | x16 |
| Riser 2 | Slot 5 | full-height | full-length | x8 |



| Expansion card riser | PCIe slots on the riser | Height | Length | Link |
|----------------------|-------------------------|-------------|-------------|------|
| Riser 3 (alternate) | Slot 6 | full-height | full-length | x16 |
| Riser 3 (default) | Slot 6 | full-height | full-length | x8 |
| Riser 3 (default) | Slot 7 | full-height | full-length | x8 |

 **NOTE:** When using slots 1 through 4 on the riser, ensure that both the processors are installed on the system.

Memory specifications

The PowerEdge R730 system supports DDR4 registered DIMMs (RDIMMs) and load-reduced DIMMs (LRDIMMs). Supported memory bus frequencies are 1333MT/s, 1600 MT/s, 1866 MT/s, 2133MT/s, or 2400 MT/s.

Table 19. Memory specifications

| Memory module sockets | Memory capacity | Minimum RAM | Maximum RAM |
|-----------------------|--|---|---|
| Twenty-four 288-pin | <ul style="list-style-type: none"> 64 GB or 128 GB quad rank (LRDIMMs) 4 GB or 8 GB single rank (RDIMMs) 8 GB, 16 GB, or 32 GB dual rank (RDIMMs) | <ul style="list-style-type: none"> 4 GB with single processor 8 GB with dual processors (minimum one memory module per processor) | <ul style="list-style-type: none"> LRDIMM up to 1,536 GB with a single processor LRDIMM up to 3,072 GB with dual processors RDIMM up to 384 GB with a single processor RDIMM up to 768 GB with a dual processor |

Drive specifications

Hard drives

The PowerEdge R730 system supports SAS, SATA, or Nearline SAS hard drives.

Table 20. Supported hard drive options for the PowerEdge R730 system

| | |
|----------------------------|--|
| Eight hard drive systems | up to eight 3.5-inch or 2.5-inch, internal, hot-swappable SAS, SATA, or Nearline SAS hard drives |
| Sixteen hard drive systems | up to sixteen 2.5-inch, internal, hot-swappable SAS, SATA, SAS/SATA SSD, or Nearline SAS hard drives |

Optical drive

The PowerEdge R730 system supports one optional SATA DVD-ROM drive or DVD+/-RW drive.

Ports and connectors specifications

USB ports

The PowerEdge R730 system supports:

- USB 2.0-compliant ports on the front panel
- USB 3.0-compliant ports on the back panel
- internal USB 3.0-compliant port

The following table provides more information about the USB specifications:

Table 21. USB specifications

| System | Front panel | Back panel | Internal |
|----------------|---|------------------------------------|-----------------------------------|
| PowerEdge R730 | <ul style="list-style-type: none"> One 4-pin, USB 2.0-compliant port One USB management port/iDRAC Direct | Two 9-pin, USB 3.0-compliant ports | One 9-pin, USB 3.0-compliant port |

NIC ports

The PowerEdge R730 system supports four Network Interface Controller (NIC) ports on the back panel, which is available in one of the following three NIC configurations:

- Four 1 Gbps
- Two 1 Gbps and two 10 Gbps
- Four 10 Gbps

Serial connector

The serial connector connects a serial device to the system. The PowerEdge R730 system supports one serial connector on the back panel, which is a 9-pin connector, Data Terminal Equipment (DTE), 16550-compliant.

VGA ports

The Video Graphic Array (VGA) port enables you to connect the system to a VGA display. The PowerEdge R730 system supports two 15-pin VGA ports on the front and back panels.

Internal Dual SD Module

The PowerEdge R730 system supports two optional flash memory card slots with an internal dual SD module.

 **NOTE: One card slot is dedicated for redundancy.**

Video specifications

The PowerEdge R730 system supports Matrox G200eR2 graphics card with 16 MB capacity.

Table 22. Supported video resolution options

| Resolution | Refresh rate (Hz) | Color depth (bits) |
|------------|-------------------|--------------------|
| 640x480 | 60,70 | 8, 16, 32 |
| 800x600 | 60,75, 85 | 8, 16, 32 |
| 1024x768 | 60,75, 85 | 8, 16, 32 |
| 1152x864 | 60,75, 85 | 8, 16, 32 |
| 1280x1024 | 60,75 | 8, 16, 32 |
| 1440x900 | 60 | 8, 16, 32 |

Environmental specifications

 **NOTE: For additional information about environmental measurements for specific system configurations, see Dell.com/environmental_datasheets.**



Table 23. Temperature specifications

| Temperature | Specifications |
|--|--|
| Storage | -40°C to 65°C (-40°F to 149°F) |
| Continuous operation (for altitude less than 950 m or 3117 ft) | 10°C to 35°C (50°F to 95°F) with no direct sunlight on the equipment. |
| Fresh air | For information about fresh air, see Expanded Operating Temperature section. |
| Maximum temperature gradient (operating and storage) | 20°C/h (68°F/h) |

Table 24. Relative humidity specifications

| Relative humidity | Specifications |
|-------------------|--|
| Storage | 5% to 95% RH with 33°C (91°F) maximum dew point. Atmosphere must be non-condensing at all times. |
| Operating | 10% to 80% relative humidity with 29°C (84.2°F) maximum dew point. |

Table 25. Maximum vibration specifications

| Maximum vibration | Specifications |
|-------------------|---|
| Operating | 0.26 G _{rms} at 5 Hz to 350 Hz (all operation orientations). |
| Storage | 1.88 G _{rms} at 10 Hz to 500 Hz for 15 min (all six sides tested). |

Table 26. Maximum shock specifications

| Maximum vibration | Specifications |
|-------------------|--|
| Operating | Six consecutively executed shock pulses in the positive and negative x, y, and z axes of 40 G for up to 2.3 ms. |
| Storage | Six consecutively executed shock pulses in the positive and negative x, y, and z axes (one pulse on each side of the system) of 71 G for up to 2 ms. |

Table 27. Maximum altitude specifications

| Maximum altitude | Specifications |
|------------------|----------------------|
| Operating | 3048 m (10,000 ft) |
| Storage | 12,000 m (39,370 ft) |

Table 28. Operating temperature de-rating specifications

| Operating temperature de-rating | Specifications |
|---------------------------------|--|
| Up to 35°C (95°F) | Maximum temperature is reduced by 1°C/300 m (1°F/547 ft) above 950 m (3,117 ft). |
| 35°C to 40°C (95°F to 104°F) | Maximum temperature is reduced by 1°C/175 m (1°F/319 ft) above 950 m (3,117 ft). |
| 40°C to 45°C (104°F to 113°F) | Maximum temperature is reduced by 1°C/125 m (1°F/228 ft) above 950 m (3,117 ft). |

Particulate and gaseous contamination specifications

The following table defines the limitations that help avoid any equipment damage or failure from particulates and gaseous contamination. If the levels of particulates or gaseous pollution exceed the specified limitations and result in equipment damage or

failure, you may need to rectify the environmental conditions. Re-mediation of environmental conditions is the responsibility of the customer.

Table 29. Particulate contamination specifications





| Particulate contamination | Specifications |
|---------------------------|---|
| Air filtration | <p>Data center air filtration as defined by ISO Class 8 per ISO 14644-1 with a 95% upper confidence limit.</p> <p> NOTE: This condition applies to data center environments only. Air filtration requirements do not apply to IT equipment designed to be used outside a data center, in environments such as an office or factory floor.</p> <p> NOTE: Air entering the data center must have MERV11 or MERV13 filtration.</p> |
| Conductive dust | <p>Air must be free of conductive dust, zinc whiskers, or other conductive particles.</p> <p> NOTE: This condition applies to data center and non-data center environments.</p> |
| Corrosive dust | <ul style="list-style-type: none"> · Air must be free of corrosive dust. · Residual dust present in the air must have a deliquescent point less than 60% relative humidity. <p> NOTE: This condition applies to data center and non-data center environments.</p> |

Table 30. Gaseous contamination specifications

| Gaseous contamination | Specifications |
|------------------------------|---|
| Copper coupon corrosion rate | <300 Å/month per Class G1 as defined by ANSI/ISA71.04-1985. |
| Silver coupon corrosion rate | <200 Å/month as defined by AHSRAE TC9.9. |

 **NOTE: Maximum corrosive contaminant levels measured at ≤50% relative humidity.**


Standard operating temperature

Table 31. Standard operating temperature specifications


| Standard operating temperature | Specifications |
|--|---|
| Continuous operation (for altitude less than 950 m or 3117 ft) | 10°C to 35°C (50°F to 95°F) with no direct sunlight on the equipment. |

Expanded operating temperature

Table 32. Expanded operating temperature specifications

| Expanded operating temperature | Specifications |
|--------------------------------|---|
| Continuous operation | <p>5°C to 40°C at 5% to 85% RH with 29°C dew point.</p> <p> NOTE: Outside the standard operating temperature (10°C to 35°C), the system can operate continuously in temperatures as low as 5°C and as high as 40°C.</p> |



| Expanded operating temperature | Specifications |
|--------------------------------|--|
| ≤ 1% of annual operating hours | For temperatures between 35°C and 40°C, de-rate maximum allowable temperature by 1°C per 175 m above 950 m (1°F per 319 ft). |
| | –5°C to 45°C at 5% to 90% RH with 29°C dew point. |
| |  NOTE: Outside the standard operating temperature (10°C to 35°C), the system can operate down to –5°C or up to 45°C for a maximum of 1% of its annual operating hours. |
| | For temperatures between 40°C and 45°C, de-rate maximum allowable temperature by 1°C per 125 m above 950 m (1°F per 228 ft). |

 **NOTE: When operating in the expanded temperature range, system performance may be impacted.**

 **NOTE: When operating in the expanded temperature range, ambient temperature warnings maybe reported on the LCD panel and in the System Event Log.**

Expanded operating temperature restrictions

- Do not perform a cold startup below 5°C.
- The operating temperature specified is for a maximum altitude of 3050 m (10,000 ft).
- 160 W or higher wattage processor is not supported.
- Redundant power supply units are required.
- Non-Dell qualified peripheral cards and/or peripheral cards greater than 25 W are not supported.
- The 3.5-inch hard drive chassis supports a maximum of 120 W processor.
- The 2.5-inch hard drive chassis supports a maximum of 145 W processor.
- Only SSDs are allowed in the hard drive slots at the back of the 3.5-inch hard drive chassis.
- Mid drive configurations, eight 3.5-inch and eighteen 1.8-inch SSD configurations are not supported.
- GPU is not supported
- Tape backup unit (TBU) is not supported.

Initial system setup and configuration

Setting up your system

Complete the following steps to set up your system:

1. Unpack the system.
2. Install the system into the rack. For more information about installing the system into the rack, see your system *Rack Installation Placemat* at Dell.com/poweredge manuals.
3. Connect the peripherals to the system.
4. Connect the system to its electrical outlet.
5. Turn the system on by pressing the power button or by using iDRAC.
6. Turn on the attached peripherals.

iDRAC configuration

The Integrated Dell Remote Access Controller (iDRAC) is designed to make system administrators more productive and improve the overall availability of Dell systems. iDRAC alerts administrators to system issues, helps them perform remote system management, and reduces the need for physical access to the system.

Options to set up iDRAC IP address

You must configure the initial network settings based on your network infrastructure to enable the communication to and from iDRAC. You can set up the IP address by using one of the following interfaces:

| Interfaces | Document/Section |
|-----------------------------|---|
| iDRAC Settings utility | See <i>Dell Integrated Dell Remote Access Controller User's Guide</i> at Dell.com/idrac manuals |
| Dell Deployment Toolkit | See <i>Dell Deployment Toolkit User's Guide</i> at Dell.com/openmanagement manuals |
| Dell Lifecycle Controller | See <i>Dell Lifecycle Controller User's Guide</i> at Dell.com/idrac manuals |
| Chassis or Server LCD panel | See the LCD panel section |

You must use the default iDRAC IP address 192.168.0.120 to configure the initial network settings, including setting up DHCP or a static IP for iDRAC.

 **NOTE: To access iDRAC, ensure that you install the iDRAC port card or connect the network cable to the Ethernet connector 1 on the system board.**

 **NOTE: Ensure that you change the default user name and password after setting up the iDRAC IP address.**

Log in to iDRAC

You can log in to iDRAC as:

- iDRAC user



- Microsoft Active Directory user
- Lightweight Directory Access Protocol (LDAP) user

The default user name and password are `root` and `calvin`. You can also log in by using Single Sign-On or Smart Card.

 **NOTE: You must have iDRAC credentials to log in to iDRAC.**

For more information about logging in to iDRAC and iDRAC licenses, see the *Integrated Dell Remote Access Controller User's Guide* at Dell.com/idracmanuals.

Options to install the operating system

If the system is shipped without an operating system, install the supported operating system by using one of the following resources:

Table 33. Resources to install the operating system

| Resources | Location |
|--|--|
| Dell Systems Management Tools and Documentation media | Dell.com/operatingsystemmanuals |
| Dell Lifecycle Controller | Dell.com/idracmanuals |
| Dell OpenManage Deployment Toolkit | Dell.com/openmanagemanuals |
| Dell certified VMware ESXi | Dell.com/virtualizationsolutions |
| Supported operating systems on Dell PowerEdge systems | Dell.com/ossupport |
| Installation and How-to videos for supported operating systems on Dell PowerEdge systems | Supported Operating Systems for Dell PowerEdge Systems |

Methods to download firmware and drivers

You can download the firmware and drivers by using the following methods:

Table 34. Firmware and drivers

| Methods | Location |
|--|--|
| From the Dell Support site | Dell.com/support/home |
| Using Dell Remote Access Controller Lifecycle Controller (iDRAC with LC) | Dell.com/idracmanuals |
| Using Dell Repository Manager (DRM) | Dell.com/openmanagemanuals |
| Using Dell OpenManage Essentials (OME) | Dell.com/openmanagemanuals |
| Using Dell Server Update Utility (SUU) | Dell.com/openmanagemanuals |
| Using Dell OpenManage Deployment Toolkit (DTK) | Dell.com/openmanagemanuals |

Downloading the drivers and firmware

Dell recommends that you download and install the latest BIOS, drivers, and systems management firmware on your system.

Prerequisites

Ensure that you clear the web browser cache before downloading the drivers and firmware.

Steps

1. Go to Dell.com/support/drivers.
2. Under the **Drivers & Downloads** section, type the Service Tag of your system in the **Service Tag or Express Service Code** box.

 **NOTE: If you do not have the Service Tag, select Detect My Product to allow the system to automatically detect your Service Tag, or under General support, navigate to your product.**

3. Click Drivers & Downloads.

The drivers that are applicable to your selection are displayed.

4. Download the drivers you need to a USB drive, CD, or DVD.



Pre-operating system management applications

You can manage basic settings and features of a system without booting to the operating system by using the system firmware.

Options to manage the pre-operating system applications

Your system has the following options to manage the pre-operating system applications:

- System Setup
- Boot Manager
- Dell Lifecycle Controller
- Preboot Execution Environment (PXE)

Related links

- [System Setup](#)
- [Boot Manager](#)
- [Dell Lifecycle Controller](#)
- [PXE boot](#)

System Setup

By using the **System Setup** screen, you can configure the BIOS settings, iDRAC settings, and device settings of your system.

 **NOTE: Help text for the selected field is displayed in the graphical browser by default. To view the help text in the text browser, press F1.**

You can access system setup by using two methods:

- Standard graphical browser—The browser is enabled by default.
- Text browser—The browser is enabled by using Console Redirection.

Related links

- [System Setup details](#)
- [Viewing System Setup](#)

Viewing System Setup

To view the **System Setup** screen, perform the following steps:

1. Turn on, or restart your system.
2. Press F2 immediately after you see the following message:
F2 = System Setup

 **NOTE: If your operating system begins to load before you press F2, wait for the system to finish booting, and then restart your system and try again.**

Related links

- [System Setup](#)
- [System Setup details](#)

System Setup details

The **System Setup Main Menu** screen details are explained as follows:

| Option | Description |
|------------------------|--|
| System BIOS | Enables you to configure BIOS settings. |
| iDRAC Settings | Enables you to configure iDRAC settings. The iDRAC settings utility is an interface to set up and configure the iDRAC parameters by using UEFI (Unified Extensible Firmware Interface). You can enable or disable various iDRAC parameters by using the iDRAC settings utility. For more information about this utility, see <i>Integrated Dell Remote Access Controller User's Guide</i> at Dell.com/idracmanuals . |
| Device Settings | Enables you to configure device settings. |

Related links

- [System Setup](#)
- [Viewing System Setup](#)

System BIOS

You can use the **System BIOS** screen to edit specific functions such as boot order, system password, setup password, set the RAID mode, and enable or disable USB ports.

Related links

- [System BIOS Settings details](#)
- [Boot Settings](#)
- [Network Settings](#)
- [System Information](#)
- [Memory Settings](#)
- [Processor Settings](#)
- [SATA Settings](#)
- [Integrated Devices](#)
- [Serial Communication](#)
- [System Profile Settings](#)
- [Miscellaneous Settings](#)
- [iDRAC Settings utility](#)
- [Device Settings](#)
- [Viewing System BIOS](#)

Viewing System BIOS

To view the **System BIOS** screen, perform the following steps:

1. Turn on, or restart your system.
2. Press F2 immediately after you see the following message:
F2 = System Setup

 **NOTE: If your operating system begins to load before you press F2, wait for the system to finish booting, and then restart your system and try again.**

3. On the **System Setup Main Menu** screen, click **System BIOS**.

Related links

- [System BIOS](#)
- [System BIOS Settings details](#)



System BIOS Settings details

The **System BIOS Settings** screen details are explained as follows:

| Option | Description |
|--------------------------------|--|
| System Information | Specifies information about the system such as the system model name, BIOS version, and Service Tag. |
| Memory Settings | Specifies information and options related to the installed memory. |
| Processor Settings | Specifies information and options related to the processor such as speed and cache size. |
| SATA Settings | Specifies options to enable or disable the integrated SATA controller and ports. |
| Boot Settings | Specifies options to specify the boot mode (BIOS or UEFI). Enables you to modify UEFI and BIOS boot settings. |
| Network Settings | Specifies options to change the network settings. |
| Integrated Devices | Specifies options to manage integrated device controllers and ports and specify related features and options. |
| Serial Communication | Specifies options to manage the serial ports and specify related features and options. |
| System Profile Settings | Specifies options to change the processor power management settings, memory frequency, and so on. |
| System Security | Specifies options to configure the system security settings, such as system password, setup password, Trusted Platform Module (TPM) security. It also manages the power and NMI buttons on the system. |
| Miscellaneous Settings | Specifies options to change the system date, time, and so on. |

Related links

- [System BIOS](#)
- [Viewing System BIOS](#)

Boot Settings

You can use the **Boot Settings** screen to set the boot mode to either **BIOS** or **UEFI**. It also enables you to specify the boot order.

Related links

- [Boot Settings details](#)
- [System BIOS](#)
- [Viewing Boot Settings](#)
- [Choosing the system boot mode](#)
- [Changing the boot order](#)

Viewing Boot Settings

To view the **Boot Settings** screen, perform the following steps:

1. Turn on, or restart your system.
2. Press F2 immediately after you see the following message:
F2 = System Setup

 **NOTE: If your operating system begins to load before you press F2, wait for the system to finish booting, and then restart your system and try again.**





3. On the **System Setup Main Menu** screen, click **System BIOS**.
4. On the **System BIOS** screen, click **Boot Settings**.

Related links

- [Boot Settings](#)
- [Boot Settings details](#)
- [Choosing the system boot mode](#)
- [Changing the boot order](#)

Boot Settings details

The **Boot Settings** screen details are explained as follows:

| Option | Description |
|-----------------------------|---|
| Boot Mode | <p>Enables you to set the boot mode of the system.</p> <p> CAUTION: Switching the boot mode may prevent the system from booting if the operating system is not installed in the same boot mode.</p> <p>If the operating system supports UEFI, you can set this option to UEFI. Setting this field to BIOS allows compatibility with non-UEFI operating systems. This option is set to BIOS by default.</p> <p> NOTE: Setting this field to UEFI disables the BIOS Boot Settings menu. Setting this field to BIOS disables the UEFI Boot Settings menu.</p> |
| Boot Sequence Retry | <p>Enables or disables the Boot Sequence Retry feature. If this option is set to Enabled and the system fails to boot, the system reattempts the boot sequence after 30 seconds. This option is set to Enabled by default.</p> |
| Hard-Disk Failover | <p>Specifies the hard drive that is booted in the event of a hard drive failure. The devices are selected in the Hard-Disk Drive Sequence on the Boot Option Setting menu. When this option is set to Disabled, only the first hard drive in the list is attempted to boot. When this option is set to Enabled, all hard drives are attempted to boot in the order selected in the Hard-Disk Drive Sequence. This option is not enabled for UEFI Boot Mode.</p> |
| Boot Option Settings | <p>Configures the boot sequence and the boot devices.</p> |
| BIOS Boot Settings | <p>Enables or disables BIOS boot options.</p> <p> NOTE: This option is enabled only if the boot mode is BIOS.</p> |
| UEFI Boot Settings | <p>Enables or disables UEFI Boot options. The Boot options include IPv4 PXE and IPv6 PXE. This option is set to IPv4 by default.</p> <p> NOTE: This option is enabled only if the boot mode is UEFI.</p> |


Related links

- [Boot Settings](#)
- [Viewing Boot Settings](#)
- [Choosing the system boot mode](#)
- [Changing the boot order](#)

Choosing the system boot mode


System Setup enables you to specify one of the following boot modes for installing your operating system:

- BIOS boot mode (the default) is the standard BIOS-level boot interface.
 - Unified Extensible Firmware Interface (UEFI) boot mode is an enhanced 64-bit boot interface. If you have configured your system to boot to UEFI mode, it replaces the system BIOS.
1. From the **System Setup Main Menu**, click **Boot Settings**, and select **Boot Mode**.
 2. Select the boot mode you want the system to boot into.

 **CAUTION: Switching the boot mode may prevent the system from booting if the operating system is not installed in the same boot mode.**



3. After the system boots in the specified boot mode, proceed to install your operating system from that mode.

 **NOTE: Operating systems must be UEFI-compatible to be installed from the UEFI boot mode. DOS and 32-bit operating systems do not support UEFI and can only be installed from the BIOS boot mode.**

 **NOTE: For the latest information about supported operating systems, go to Dell.com/ossupport.**

Related links

[Boot Settings](#)

[Boot Settings details](#)

[Viewing Boot Settings](#)

Changing the boot order

You may have to change the boot order if you want to boot from a USB key or an optical drive. The following instructions may vary if you have selected **BIOS** for **Boot Mode**.

1. On the **System Setup Main Menu** screen, click **System BIOS** → **Boot Settings**.
2. Click **Boot Option Settings** → **Boot Sequence**.
3. Use the arrow keys to select a boot device, and use the plus (+) and minus (-) sign keys to move the device down or up in the order.
4. Click **Exit**, and then click **Yes** to save the settings on exit.

Related links

[Boot Settings](#)

[Boot Settings details](#)

[Viewing Boot Settings](#)

Network Settings

You can use the **Network Settings** screen to modify PXE device settings. The network settings option is available only in the UEFI mode.

 **NOTE: The BIOS does not control network settings in the BIOS mode. For the BIOS boot mode, the optional Boot ROM of the network controllers handles the network settings.**

Related links

[UEFI iSCSI Settings](#)

[Network Settings screen details](#)

[UEFI iSCSI Settings details](#)

[System BIOS](#)

[Viewing Network Settings](#)

[Viewing UEFI iSCSI Settings](#)

Viewing Network Settings

To view the **Network Settings** screen, perform the following steps:

1. Turn on, or restart your system.
2. Press F2 immediately after you see the following message:
F2 = System Setup

 **NOTE: If your operating system begins to load before you press F2, wait for the system to finish booting, and then restart your system and try again.**

3. On the **System Setup Main Menu** screen, click **System BIOS**.
4. On the **System BIOS** screen, click **Network Settings**.

Related links

[Network Settings](#)

[Network Settings screen details](#)

Network Settings screen details

The **Network Settings** screen details are explained as follows:

| Option | Description |
|---|---|
| PXE Device n (n = 1 to 4) | Enables or disables the device. When enabled, a UEFI boot option is created for the device. |
| PXE Device n Settings (n = 1 to 4) | Enables you to control the configuration of the PXE device. |

Related links

- [Network Settings](#)
- [Viewing Network Settings](#)

UEFI iSCSI Settings

You can use the iSCSI Settings screen to modify iSCSI device settings. The iSCSI Settings option is available only in the UEFI boot mode. BIOS does not control network settings in the BIOS boot mode. For the BIOS boot mode, the option ROM of the network controller handles the network settings.

Related links

- [UEFI iSCSI Settings details](#)
- [Viewing UEFI iSCSI Settings](#)
- [UEFI iSCSI Settings](#)
- [Viewing UEFI iSCSI Settings](#)

Viewing UEFI iSCSI Settings

To view the **UEFI iSCSI Settings** screen, perform the following steps:

1. Turn on, or restart your system.
2. Press F2 immediately after you see the following message:
F2 = System Setup

 **NOTE: If your operating system begins to load before you press F2, wait for the system to finish booting, and then restart your system and try again.**

3. On the **System Setup Main Menu** screen, click **System BIOS**.
4. On the **System BIOS** screen, click **Network Settings**.
5. On the **Network Settings** screen, click **UEFI iSCSI Settings**.

Related links

- [UEFI iSCSI Settings](#)
- [UEFI iSCSI Settings](#)

UEFI iSCSI Settings details

The **UEFI iSCSI Settings** screen details are explained as follows:

| Option | Description |
|------------------------------------|--|
| iSCSI Initiator Name | Specifies the name of the iSCSI initiator (iqn format). |
| iSCSI Device n (n = 1 to 4) | Enables or disables the iSCSI device. When disabled, a UEFI boot option is created for the iSCSI device automatically. |



System Security

You can use the **System Security** screen to perform specific functions such as setting the system password, setup password and disabling the power button.

Related links

- [System Security Settings details](#)
- [Operating with a setup password enabled](#)
- [System BIOS](#)
- [Viewing System Security](#)
- [Creating a system and setup password](#)
- [Using your system password to secure your system](#)
- [Deleting or changing system and setup password](#)

Viewing System Security

To view the **System Security** screen, perform the following steps:

1. Turn on, or restart your system.
2. Press F2 immediately after you see the following message:
F2 = System Setup

 **NOTE: If your operating system begins to load before you press F2, wait for the system to finish booting, and then restart your system and try again.**



3. On the **System Setup Main Menu** screen, click **System BIOS**.
4. On the **System BIOS** screen, click **System Security**.

Related links

- [System Security](#)
- [System Security Settings details](#)

System Security Settings details

The **System Security Settings** screen details are explained as follows:

| Option | Description |
|------------------------|---|
| Intel AES-NI | Improves the speed of applications by performing encryption and decryption by using the Advanced Encryption Standard Instruction Set (AES-NI). This option is set to Enabled by default. |
| System Password | Sets the system password. This option is set to Enabled by default and is read-only if the password jumper is not installed in the system. |
| Setup Password | Sets the setup password. This option is read-only if the password jumper is not installed in the system. |
| Password Status | Locks the system password. This option is set to Unlocked by default. |
| TPM Security |  NOTE: The TPM menu is available only when the TPM module is installed. Enables you to control the reporting mode of the TPM. The TPM Security option is set to Off by default. You can only modify the TPM Status, TPM Activation, and Intel TXT fields if the TPM Status field is set to either On with Pre-boot Measurements or On without Pre-boot Measurements . |
| TPM Information | Changes the operational state of the TPM. This option is set to No Change by default. |
| TPM Status | Specifies the TPM status. |
| TPM Command |  CAUTION: Clearing the TPM results in the loss of all keys in the TPM. The loss of TPM keys may affect booting to the operating system. Clears all the contents of the TPM. The TPM Clear option is set to No by default. |

| Option | Description |
|---|---|
| Intel TXT | Enables or disables the Intel Trusted Execution Technology (TXT) option. To enable the Intel TXT option, virtualization technology and TPM Security must be enabled with Pre-boot measurements. This option is set to Off by default. |
| Power Button | Enables or disables the power button on the front of the system. This option is set to Enabled by default. |
| NMI Button | Enables or disables the NMI button on the front of the system. This option is set to Disabled by default. |
| AC Power Recovery | Sets how the system behaves after AC power is restored to the system. This option is set to Last by default. |
| AC Power Recovery Delay | Sets the time delay for the system to power up after AC power is restored to the system. This option is set to Immediate by default. |
| User Defined Delay (60s to 240s) | Sets the User Defined Delay option when the User Defined option for AC Power Recovery Delay is selected. |
| UEFI Variable Access | Provides varying degrees of securing UEFI variables. When set to Standard (the default), UEFI variables are accessible in the operating system per the UEFI specification. When set to Controlled , selected UEFI variables are protected in the environment and new UEFI boot entries are forced to be at the end of the current boot order. |
| Secure Boot | Enables Secure Boot, where the BIOS authenticates each pre-boot image by using the certificates in the Secure Boot Policy. Secure Boot is disabled by default. |
| Secure Boot Policy | When Secure Boot policy is set to Standard , the BIOS uses the system manufacturer's key and certificates to authenticate pre-boot images. When Secure Boot policy is set to Custom , the BIOS uses the user-defined key and certificates. Secure Boot policy is set to Standard by default. |
| Secure Boot Policy Summary | Specifies the list of certificates and hashes that secure boot uses to authenticate images. |

Related links

- [System Security](#)
- [Viewing System Security](#)

Creating a system and setup password

Prerequisites

Ensure that the password jumper is enabled. The password jumper enables or disables the system password and setup password features. For more information, see the System board jumper settings section.

 **NOTE: If the password jumper setting is disabled, the existing system password and setup password are deleted and you need not provide the system password to boot the system.**

Steps

1. To enter System Setup, press F2 immediately after turning on or rebooting your system.
2. On the **System Setup Main Menu** screen, click **System BIOS** → **System Security**.
3. On the **System Security** screen, verify that **Password Status** is set to **Unlocked**.
4. In the **System Password** field, type your system password, and press Enter or Tab.
Use the following guidelines to assign the system password:
 - A password can have up to 32 characters.
 - The password can contain the numbers 0 through 9.
 - Only the following special characters are allowed: space, ("), (+), (,), (-), (.), (/), (:), ([), (\), (]), (^).

A message prompts you to reenter the system password.
5. Reenter the system password, and click **OK**.
6. In the **Setup Password** field, type your setup password and press Enter or Tab.
A message prompts you to reenter the setup password.
7. Reenter the setup password, and click **OK**.
8. Press Esc to return to the System BIOS screen. Press Esc again.



A message prompts you to save the changes.

 **NOTE: Password protection does not take effect until the system reboots.**

Related links

[System Security](#)

Using your system password to secure your system


If you have assigned a setup password, the system accepts your setup password as an alternate system password.

Steps

1. Turn on or reboot your system.
2. Type the system password and press Enter.

Next steps

When **Password Status** is set to **Locked**, type the system password and press Enter when prompted at reboot.

 **NOTE: If an incorrect system password is typed, the system displays a message and prompts you to reenter your password. You have three attempts to type the correct password. After the third unsuccessful attempt, the system displays an error message that the system has stopped functioning and must be turned off. Even after you turn off and restart the system, the error message is displayed until the correct password is entered.**

Related links

[System Security](#)

Deleting or changing system and setup password

Prerequisites

 **NOTE: You cannot delete or change an existing system or setup password if the Password Status is set to Locked.**

Steps

1. To enter System Setup, press F2 immediately after turning on or restarting your system.
2. On the **System Setup Main Menu** screen, click **System BIOS** → **System Security**.
3. On the **System Security** screen, ensure that **Password Status** is set to **Unlocked**.
4. In the **System Password** field, alter or delete the existing system password, and then press Enter or Tab.
5. In the **Setup Password** field, alter or delete the existing setup password, and then press Enter or Tab.
If you change the system and setup password, a message prompts you to reenter the new password. If you delete the system and setup password, a message prompts you to confirm the deletion.
6. Press Esc to return to the **System BIOS** screen. Press Esc again, and a message prompts you to save the changes.

Related links

[System Security](#)

Operating with a setup password enabled

If **Setup Password** is set to **Enabled**, type the correct setup password before modifying the system setup options.

If you do not type the correct password in three attempts, the system displays the following message:

```
Invalid Password! Number of unsuccessful password attempts: <x> System Halted! Must power down.
```

Even after you turn off and restart the system, the error message is displayed until the correct password is typed. The following options are exceptions:

- If **System Password** is not set to **Enabled** and is not locked through the **Password Status** option, you can assign a system password. For more information, see the System Security Settings screen section.
- You cannot disable or change an existing system password.

 **NOTE: You can use the password status option with the setup password option to protect the system password from unauthorized changes.**

Related links

[System Security](#)

System Information

You can use the **System Information** screen to view system properties such as Service Tag, system model name, and the BIOS version.

Related links


[System Information details](#)

[System BIOS](#)

[Viewing System Information](#)

Viewing System Information

To view the **System Information** screen, perform the following steps:

1. Turn on, or restart your system.
 2. Press F2 immediately after you see the following message:
F2 = System Setup
-  **NOTE: If your operating system begins to load before you press F2, wait for the system to finish booting, and then restart your system and try again.**
3. On the **System Setup Main Menu** screen, click **System BIOS**.
 4. On the **System BIOS** screen, click **System Information**.

Related links

[System Information](#)

System Information details

The **System Information** screen details are explained as follows:

| Option | Description |
|--|--|
| System Model Name | Specifies the system model name. |
| System BIOS Version | Specifies the BIOS version installed on the system. |
| System Management Engine Version | Specifies the current version of the Management Engine firmware. |
| System Service Tag | Specifies the system Service Tag. |
| System Manufacturer | Specifies the name of the system manufacturer. |
| System Manufacturer Contact Information | Specifies the contact information of the system manufacturer. |
| System CPLD Version | Specifies the current version of the system complex programmable logic device (CPLD) firmware. |
| UEFI Compliance Version | Specifies the UEFI compliance level of the system firmware. |

Related links

[System Information](#)

[System Information details](#)

[Viewing System Information](#)



Memory Settings

You can use the **Memory Settings** screen to view all the memory settings and enable or disable specific memory functions, such as system memory testing and node interleaving.

Related links


[Memory Settings details](#)

[System BIOS](#)

[Viewing Memory Settings](#)

Viewing Memory Settings

To view the **Memory Settings** screen, perform the following steps:

1. Turn on, or restart your system.
2. Press F2 immediately after you see the following message:
F2 = System Setup
 **NOTE: If your operating system begins to load before you press F2, wait for the system to finish booting, and then restart your system and try again.**
3. On the **System Setup Main Menu** screen, click **System BIOS**.
4. On the **System BIOS** screen, click **Memory Settings**.



Related links

[Memory Settings](#)

[Memory Settings details](#)

Memory Settings details

The **Memory Settings** screen details are explained as follows:

| Option | Description |
|------------------------------|--|
| System Memory Size | Specifies the memory size in the system. |
| System Memory Type | Specifies the type of memory installed in the system. |
| System Memory Speed | Specifies the system memory speed. |
| System Memory Voltage | Specifies the system memory voltage. |
| Video Memory | Specifies the amount of video memory. |
| System Memory Testing | Specifies whether the system memory tests are run during system boot. Options are Enabled and Disabled . This option is set to Disabled by default. |
| Memory Operating Mode | Specifies the memory operating mode. The options available are Optimizer Mode , Advanced ECC Mode , Mirror Mode , Spare Mode , Spare with Advanced ECC Mode , Dell Fault Resilient Mode and Dell NUMA Fault Resilient Mode . This option is set to Optimizer Mode by default.  NOTE: The Memory Operating Mode option can have different default and available options based on the memory configuration of your system.  NOTE: The Dell Fault Resilient Mode option establishes an area of memory that is fault resilient. This mode can be used by an operating system that supports the feature to load critical applications or enables the operating system kernel to maximize system availability. |
| Node Interleaving | Specifies if Non-Uniform Memory architecture (NUMA) is supported. If this field is set to Enabled , memory interleaving is supported if a symmetric memory configuration is installed. If the field is set to Disabled , the system supports NUMA (asymmetric) memory configurations. This option is set to Disabled by default. |

| Option | Description |
|-------------------|---|
| Snoop Mode | Specifies the Snoop Mode options. The Snoop Mode options available are Home Snoop , Early Snoop , and Cluster on Die . This option is set to Early Snoop by default. This field is available only when the Node Interleaving is set to Disabled . |

Related links

- [Memory Settings](#)
- [Viewing Memory Settings](#)

Processor Settings

You can use the **Processor Settings** screen to view the processor settings, and perform specific functions such as enabling virtualization technology, hardware prefetcher, and logical processor idling.

Related links

- [Processor Settings details](#)
- [System BIOS](#)
- [Viewing Processor Settings](#)

Viewing Processor Settings

To view the **Processor Settings** screen, perform the following steps:

1. Turn on, or restart your system.
2. Press F2 immediately after you see the following message:
F2 = System Setup

 **NOTE: If your operating system begins to load before you press F2, wait for the system to finish booting, and then restart your system and try again.**


3. On the **System Setup Main Menu** screen, click **System BIOS**.
4. On the **System BIOS** screen, click **Processor Settings**.

Related links




- [Processor Settings](#)
- [Processor Settings details](#)

Processor Settings details

The **Processor Settings** screen details are explained as follows:

| Option | Description |
|--|--|
| Logical Processor | Enables or disables the logical processors and displays the number of logical processors. If this option is set to Enabled , the BIOS displays all the logical processors. If this option is set to Disabled , the BIOS displays only one logical processor per core. This option is set to Enabled by default. |
| QPI Speed | Enables you to control QuickPath Interconnect data rate settings. |
| Alternate RTID (Requestor Transaction ID) Setting | Modifies Requestor Transaction IDs, which are QPI resources. This option is set to Disabled by default.  NOTE: Enabling this option may negatively impact the overall system performance. |
| Virtualization Technology | Enables or disables the additional hardware capabilities provided for virtualization. This option is set to Enabled by default. |
| Address Translation Service (ATS) | Defines the Address Translation Cache (ATC) for devices to cache the DMA transactions. This option provides an interface between CPU and DMA Memory Management to a chipset's Address Translation and Protection Table to translate DMA addresses to host addresses. This option is set to Enabled by default. |
| Adjacent Cache Line Prefetch | Optimizes the system for applications that need high utilization of sequential memory access. This option is set to Enabled by default. You can disable this option for applications that need high utilization of random memory access. |



| Option | Description |
|--------------------------------------|---|
| Hardware Prefetcher | Enables or disables the hardware prefetcher. This option is set to Enabled by default. |
| DCU Streamer Prefetcher | Enables or disables the Data Cache Unit (DCU) streamer prefetcher. This option is set to Enabled by default. |
| DCU IP Prefetcher | Enables or disables the Data Cache Unit (DCU) IP prefetcher. This option is set to Enabled by default. |
| Execute Disable | Enables you to run the disable memory protection technology. This option is set to Enabled by default. |
| Logical Processor Idling | Enables you to improve the energy efficiency of a system. It uses the operating system core parking algorithm and parks some of the logical processors in the system which in turn allows the corresponding processor cores to transition into a lower power idle state. This option can only be enabled if the operating system supports it. It is set to Disabled by default. |
| Configurable TDP | Enables you to reconfigure the processor Thermal Design Power (TDP) levels during POST based on the power and thermal delivery capabilities of the system. TDP verifies the maximum heat the cooling system is needed to dissipate. This option is set to Nominal by default.  NOTE: This option is only available on certain stock keeping units (SKUs) of the processors. |
| X2Apic Mode | Enables or disables the X2Apic mode. |
| Dell Controlled Turbo | Controls the turbo engagement. Enable this option only when System Profile is set to Performance .  NOTE: Depending on the number of installed CPUs, there may be up to four processor listings. |
| Number of Cores per Processor | Controls the number of enabled cores in each processor. This option is set to All by default. |
| Processor 64-bit Support | Specifies if the processor(s) support 64-bit extensions. |
| Processor Core Speed | Specifies the maximum core frequency of the processor. |
| Processor 1 |  NOTE: Depending on the number of CPUs, there may be up to four processors listed. |

The following settings are displayed for each processor installed in the system:

| Option | Description |
|------------------------------|---|
| Family-Model-Stepping | Specifies the family, model, and stepping of the processor as defined by Intel. |
| Brand | Specifies the brand name. |
| Level 2 Cache | Specifies the total L2 cache. |
| Level 3 Cache | Specifies the total L3 cache. |
| Number of Cores | Specifies the number of cores per processor. |

Related links

- [Processor Settings](#)
- [Viewing Processor Settings](#)

SATA Settings

You can use the **SATA Settings** screen to view the SATA settings of SATA devices and enable RAID on your system.

Related links

- [SATA Settings details](#)
- [System BIOS](#)
- [Viewing SATA Settings](#)

Viewing SATA Settings

To view the **SATA Settings** screen, perform the following steps:

1. Turn on, or restart your system.
2. Press F2 immediately after you see the following message:
F2 = System Setup



NOTE: If your operating system begins to load before you press F2, wait for the system to finish booting, and then restart your system and try again.

3. On the **System Setup Main Menu** screen, click **System BIOS**.
4. On the **System BIOS** screen, click **SATA Settings**.

Related links

- [SATA Settings](#)
- [SATA Settings details](#)

SATA Settings details

The **SATA Settings** screen details are explained as follows:

| Option | Description | | | | | | | | |
|-----------------------------|--|--------|-------------|--------------|---|-------------------|--|-----------------|---|
| Embedded SATA | Enables the embedded SATA option to be set to Off , ATA , AHCI , or RAID modes. This option is set to AHCI by default. | | | | | | | | |
| Security Freeze Lock | Sends Security Freeze Lock command to the Embedded SATA drives during POST. This option is applicable only for ATA and AHCI modes. | | | | | | | | |
| Write Cache | Enables or disables the command for Embedded SATA drives during POST. | | | | | | | | |
| Port A | Sets the drive type of the selected device. For Embedded SATA settings in ATA mode, set this field to Auto to enable BIOS support. Set it to OFF to turn off BIOS support. For AHCI or RAID mode, BIOS support is always enabled. <table><thead><tr><th>Option</th><th>Description</th></tr></thead><tbody><tr><td>Model</td><td>Specifies the drive model of the selected device.</td></tr><tr><td>Drive Type</td><td>Specifies the type of drive attached to the SATA port.</td></tr><tr><td>Capacity</td><td>Specifies the total capacity of the hard drive. This field is undefined for removable media devices such as optical drives.</td></tr></tbody></table> | Option | Description | Model | Specifies the drive model of the selected device. | Drive Type | Specifies the type of drive attached to the SATA port. | Capacity | Specifies the total capacity of the hard drive. This field is undefined for removable media devices such as optical drives. |
| Option | Description | | | | | | | | |
| Model | Specifies the drive model of the selected device. | | | | | | | | |
| Drive Type | Specifies the type of drive attached to the SATA port. | | | | | | | | |
| Capacity | Specifies the total capacity of the hard drive. This field is undefined for removable media devices such as optical drives. | | | | | | | | |
| Port B | Sets the drive type of the selected device. For Embedded SATA settings in ATA mode, set this field to Auto to enable BIOS support. Set it to OFF to turn off BIOS support. For AHCI or RAID mode, BIOS support is always enabled. <table><thead><tr><th>Option</th><th>Description</th></tr></thead><tbody><tr><td>Model</td><td>Specifies the drive model of the selected device.</td></tr><tr><td>Drive Type</td><td>Specifies the type of drive attached to the SATA port.</td></tr><tr><td>Capacity</td><td>Specifies the total capacity of the hard drive. This field is undefined for removable media devices such as optical drives.</td></tr></tbody></table> | Option | Description | Model | Specifies the drive model of the selected device. | Drive Type | Specifies the type of drive attached to the SATA port. | Capacity | Specifies the total capacity of the hard drive. This field is undefined for removable media devices such as optical drives. |
| Option | Description | | | | | | | | |
| Model | Specifies the drive model of the selected device. | | | | | | | | |
| Drive Type | Specifies the type of drive attached to the SATA port. | | | | | | | | |
| Capacity | Specifies the total capacity of the hard drive. This field is undefined for removable media devices such as optical drives. | | | | | | | | |



Option **Description**

Port C Sets the drive type of the selected device. For **Embedded SATA settings** in **ATA** mode, set this field to **Auto** to enable BIOS support. Set it to **OFF** to turn off BIOS support.
For **AHCI** or **RAID** mode, BIOS support is always enabled.

| Option | Description |
|-------------------|---|
| Model | Specifies the drive model of the selected device. |
| Drive Type | Specifies the type of drive attached to the SATA port. |
| Capacity | Specifies the total capacity of the hard drive. This field is undefined for removable media devices such as optical drives. |

Port D Sets the drive type of the selected device. For **Embedded SATA settings** in **ATA** mode, set this field to **Auto** to enable BIOS support. Set it to **OFF** to turn off BIOS support.
For **AHCI** or **RAID** mode, BIOS support is always enabled.

| Option | Description |
|-------------------|---|
| Model | Specifies the drive model of the selected device. |
| Drive Type | Specifies the type of drive attached to the SATA port. |
| Capacity | Specifies the total capacity of the hard drive. This field is undefined for removable media devices such as optical drives. |

Port E Sets the drive type of the selected device. For **Embedded SATA settings** in **ATA** mode, set this field to **Auto** to enable BIOS support. Set it to **OFF** to turn off BIOS support.
For **AHCI** or **RAID** mode, BIOS support is always enabled.

| Option | Description |
|-------------------|---|
| Model | Specifies the drive model of the selected device. |
| Drive Type | Specifies the type of drive attached to the SATA port. |
| Capacity | Specifies the total capacity of the hard drive. This field is undefined for removable media devices such as optical drives. |

Port F Sets the drive type of the selected device. For **Embedded SATA settings** in **ATA** mode, set this field to **Auto** to enable BIOS support. Set it to **OFF** to turn off BIOS support.
For **AHCI** or **RAID** mode, BIOS support is always enabled.

| Option | Description |
|-------------------|---|
| Model | Specifies the drive model of the selected device. |
| Drive Type | Specifies the type of drive attached to the SATA port. |
| Capacity | Specifies the total capacity of the hard drive. This field is undefined for removable media devices such as optical drives. |

Port G Sets the drive type of the selected device. For **Embedded SATA settings** in **ATA** mode, set this field to **Auto** to enable BIOS support. Set it to **OFF** to turn off BIOS support.
For **AHCI** or **RAID** mode, BIOS support is always enabled.

| Option | Description |
|--------------|---|
| Model | Specifies the drive model of the selected device. |



| | | | | | | | | | |
|-------------------|--|---------------|--------------------|-------------------|--|-------------------|---|-----------------|---|
| Option | Description | | | | | | | | |
| | <table border="0"> <tr> <td style="vertical-align: top;">Option</td> <td style="vertical-align: top;">Description</td> </tr> <tr> <td style="vertical-align: top;">Drive Type</td> <td style="vertical-align: top;">Specifies the type of drive attached to the SATA port.</td> </tr> <tr> <td style="vertical-align: top;">Capacity</td> <td style="vertical-align: top;">Specifies the total capacity of the hard drive. This field is undefined for removable media devices such as optical drives.</td> </tr> </table> | Option | Description | Drive Type | Specifies the type of drive attached to the SATA port. | Capacity | Specifies the total capacity of the hard drive. This field is undefined for removable media devices such as optical drives. | | |
| Option | Description | | | | | | | | |
| Drive Type | Specifies the type of drive attached to the SATA port. | | | | | | | | |
| Capacity | Specifies the total capacity of the hard drive. This field is undefined for removable media devices such as optical drives. | | | | | | | | |
| Port H | <p>Sets the drive type of the selected device. For Embedded SATA settings in ATA mode, set this field to Auto to enable BIOS support. Set it to OFF to turn off BIOS support.</p> <p>For AHCI or RAID mode, BIOS support is always enabled.</p> <table border="0"> <tr> <td style="vertical-align: top;">Option</td> <td style="vertical-align: top;">Description</td> </tr> <tr> <td style="vertical-align: top;">Model</td> <td style="vertical-align: top;">Specifies the drive model of the selected device.</td> </tr> <tr> <td style="vertical-align: top;">Drive Type</td> <td style="vertical-align: top;">Specifies the type of drive attached to the SATA port.</td> </tr> <tr> <td style="vertical-align: top;">Capacity</td> <td style="vertical-align: top;">Specifies the total capacity of the hard drive. This field is undefined for removable media devices such as optical drives.</td> </tr> </table> | Option | Description | Model | Specifies the drive model of the selected device. | Drive Type | Specifies the type of drive attached to the SATA port. | Capacity | Specifies the total capacity of the hard drive. This field is undefined for removable media devices such as optical drives. |
| Option | Description | | | | | | | | |
| Model | Specifies the drive model of the selected device. | | | | | | | | |
| Drive Type | Specifies the type of drive attached to the SATA port. | | | | | | | | |
| Capacity | Specifies the total capacity of the hard drive. This field is undefined for removable media devices such as optical drives. | | | | | | | | |
| Port I | <p>Sets the drive type of the selected device. For Embedded SATA settings in ATA mode, set this field to Auto to enable BIOS support. Set it to OFF to turn off BIOS support.</p> <p>For AHCI or RAID mode, BIOS support is always enabled.</p> <table border="0"> <tr> <td style="vertical-align: top;">Option</td> <td style="vertical-align: top;">Description</td> </tr> <tr> <td style="vertical-align: top;">Model</td> <td style="vertical-align: top;">Specifies the drive model of the selected device.</td> </tr> <tr> <td style="vertical-align: top;">Drive Type</td> <td style="vertical-align: top;">Specifies the type of drive attached to the SATA port.</td> </tr> <tr> <td style="vertical-align: top;">Capacity</td> <td style="vertical-align: top;">Specifies the total capacity of the hard drive. This field is undefined for removable media devices such as optical drives.</td> </tr> </table> | Option | Description | Model | Specifies the drive model of the selected device. | Drive Type | Specifies the type of drive attached to the SATA port. | Capacity | Specifies the total capacity of the hard drive. This field is undefined for removable media devices such as optical drives. |
| Option | Description | | | | | | | | |
| Model | Specifies the drive model of the selected device. | | | | | | | | |
| Drive Type | Specifies the type of drive attached to the SATA port. | | | | | | | | |
| Capacity | Specifies the total capacity of the hard drive. This field is undefined for removable media devices such as optical drives. | | | | | | | | |
| Port J | <p>Sets the drive type of the selected device. For Embedded SATA settings in ATA mode, set this field to Auto to enable BIOS support. Set it to OFF to turn off BIOS support.</p> <p>For AHCI or RAID mode, BIOS support is always enabled.</p> <table border="0"> <tr> <td style="vertical-align: top;">Option</td> <td style="vertical-align: top;">Description</td> </tr> <tr> <td style="vertical-align: top;">Model</td> <td style="vertical-align: top;">Specifies the drive model of the selected device.</td> </tr> <tr> <td style="vertical-align: top;">Drive Type</td> <td style="vertical-align: top;">Specifies the type of drive attached to the SATA port.</td> </tr> <tr> <td style="vertical-align: top;">Capacity</td> <td style="vertical-align: top;">Specifies the total capacity of the hard drive. This field is undefined for removable media devices such as optical drives.</td> </tr> </table> | Option | Description | Model | Specifies the drive model of the selected device. | Drive Type | Specifies the type of drive attached to the SATA port. | Capacity | Specifies the total capacity of the hard drive. This field is undefined for removable media devices such as optical drives. |
| Option | Description | | | | | | | | |
| Model | Specifies the drive model of the selected device. | | | | | | | | |
| Drive Type | Specifies the type of drive attached to the SATA port. | | | | | | | | |
| Capacity | Specifies the total capacity of the hard drive. This field is undefined for removable media devices such as optical drives. | | | | | | | | |

Related links

- [SATA Settings](#)
- [Viewing SATA Settings](#)

Integrated Devices

You can use the **Integrated Devices** screen to view and configure the settings of all integrated devices including the video controller, integrated RAID controller, and the USB ports.

Related links

- [Integrated Devices details](#)
- [System BIOS](#)
- [Viewing Integrated Devices](#)



Viewing Integrated Devices

To view the **Integrated Devices** screen, perform the following steps:

1. Turn on, or restart your system.
2. Press F2 immediately after you see the following message:
F2 = System Setup

 **NOTE: If your operating system begins to load before you press F2, wait for the system to finish booting, and then restart your system and try again.**

3. On the **System Setup Main Menu** screen, click **System BIOS**.
4. On the **System BIOS** screen, click **Integrated Devices**.



Related links

[Integrated Devices](#)



[Integrated Devices details](#)

Integrated Devices details

The **Integrated Devices** screen details are explained as follows:

| Option | Description |
|---|---|
| USB 3.0 Setting | Enables or disables the USB 3.0 support. Enable this option only if your operating system supports USB 3.0. If you disable this option, devices operate at USB 2.0 speed. USB 3.0 is enabled by default. |
| User Accessible USB Ports | Enables or disables the USB ports. Selecting Only Back Ports On disables the front USB ports, selecting All Ports Off disables all USB ports. The USB keyboard and mouse operate during boot process in certain operating systems. After the boot process is complete, the USB keyboard and mouse do not work if the ports are disabled.  NOTE: Selecting Only Back Ports On and All Ports Off disables the USB management port and also restricts access to iDRAC features. |
| Internal USB Port | Enables or disables the internal USB port. This option is set to Enabled by default. |
| Integrated RAID Controller | Enables or disables the integrated RAID controller. This option is set to Enabled by default. |
| Integrated Network Card 1 | Enables or disables the integrated network card. |
| Embedded NIC1 and NIC2 |  NOTE: The Embedded NIC1 and NIC2 options are only available on systems that do not have Integrated Network Card 1. Enables or disables the Embedded NIC1 and NIC2 options. If set to Disabled , the NIC may still be available for shared network access by the embedded management controller. The embedded NIC1 and NIC2 options are only available on systems that do not have Network Daughter Cards (NDCs). The Embedded NIC1 and NIC2 option is mutually exclusive with the Integrated Network Card 1 option. Configure the Embedded NIC1 and NIC2 option by using the NIC management utilities of the system. |
| I/OAT DMA Engine | Enables or disables the I/OAT option. Enable only if the hardware and software support the feature. |
| Embedded Video Controller | Enables or disables the Embedded Video Controller option. This option is set to Enabled by default. |
| Current State of Embedded Video Controller | Displays the current state of the embedded video controller. The Current State of Embedded Video Controller option is a read-only field. If the Embedded Video Controller is the only display capability in the system (that is, no add-in graphics card is installed), then the Embedded Video Controller is automatically used as the primary display even if the Embedded Video Controller setting is set to Disabled . |
| SR-IOV Global Enable | Enables or disables the BIOS configuration of Single Root I/O Virtualization (SR-IOV) devices. This option is set to Disabled by default. |

| Option | Description |
|-------------------------------------|---|
| OS Watchdog Timer | If your system stops responding, this watchdog timer aids in the recovery of your operating system. When this option is set to Enabled , the operating system initializes the timer. When this option is set to Disabled (the default), the timer does not have any effect on the system. |
| Memory Mapped I/O above 4 GB | Enables or disables the support for PCIe devices that need large amounts of memory. This option is set to Enabled by default. |
| Slot Disablement | Enables or disables the available PCIe slots on your system. The slot disablement feature controls the configuration of PCIe cards installed in the specified slot. Slots must be disabled only when the installed peripheral card prevents booting into the operating system or causes delays in system startup. If the slot is disabled, both the Option ROM and UEFI drivers are disabled. |
| Slot Bifurcation | Enables you to control the bifurcation of the specified slot. Only slots that are present in your system are available for control. The configuration for a x16 slot is default (x16), x8x8, or x4x4x4x4. The configuration for a x8 slot is default (x8) or x4x4. |

| Slots | Description |
|---------------------------|---|
| Slot 1 Bifurcation | Controls the bifurcation of PCIe cards installed in the specified slot. <ul style="list-style-type: none"> When set to default, the slot operates at the default bifurcation for that slot. When set to x4x4 the slot bifurcates to two links. |
| Slot 2 Bifurcation | Controls the bifurcation of PCIe cards installed in the specified slot. <ul style="list-style-type: none"> When set to default, the slot operates at the default bifurcation for that slot. When set to x4x4 the slot bifurcates to two links. |
| Slot 3 Bifurcation | Controls the bifurcation of PCIe cards installed in the specified slot. <ul style="list-style-type: none"> When set to default, the slot operates at the default bifurcation for that slot. When set to x4x4 the slot bifurcates to two links. |
| Slot 4 Bifurcation | Controls the bifurcation of PCIe cards installed in the specified slot. <ul style="list-style-type: none"> When set to default, the slot operates at the default bifurcation for that slot. When set to x8x8 or x4x4x4x4, the slot bifurcates to either two or four links depending on the slot capability. |
| Slot 5 Bifurcation | Controls the bifurcation of PCIe cards installed in the specified slot. <ul style="list-style-type: none"> When set to default, the slot operates at the default bifurcation for that slot. When set to x4x4 the slot bifurcates to two links. |
| Slot 6 Bifurcation | Controls the bifurcation of PCIe cards installed in the specified slot. <p> NOTE: This slot bifurcation is supported only in six slot systems.</p> <ul style="list-style-type: none"> When set to default, the slot operates at the default bifurcation for that slot. When set to x8x8 or x4x4x4x4, the slot bifurcates to either two or four links depending on the slot capability. <p> NOTE: This slot bifurcation is supported only in seven slot systems.</p> |



| Option | Description |
|--------|--|
| | <ul style="list-style-type: none"> When set to default, the slot operates at the default bifurcation for that slot. When set to x4x4 the slot bifurcates to two links. |

Slot 7 Bifurcation Controls the bifurcation of PCIe cards installed in the specified slot.

 **NOTE: This slot bifurcation is supported only in seven slot systems.**

- When set to default, the slot operates at the default bifurcation for that slot.
- When set to x4x4 the slot bifurcates to two links.

Related links

- [Integrated Devices](#)
- [Viewing Integrated Devices](#)

Serial Communication


You can use the **Serial Communication** screen to view the properties of the serial communication port.

Related links

- [Serial Communication details](#)
- [System BIOS](#)
- [Viewing Serial Communication](#)

Viewing Serial Communication

To view the **Serial Communication** screen, perform the following steps:

- Turn on, or restart your system.
- Press F2 immediately after you see the following message:
F2 = System Setup
 -  **NOTE: If your operating system begins to load before you press F2, wait for the system to finish booting, and then restart your system and try again.**
- On the **System Setup Main Menu** screen, click **System BIOS**.
- On the **System BIOS** screen, click **Serial Communication**.

Related links




- [Serial Communication](#)
- [Serial Communication details](#)

Serial Communication details

The **Serial Communication** screen details are explained as follows:

| Option | Description |
|-----------------------------|---|
| Serial Communication | Selects serial communication devices (Serial Device 1 and Serial Device 2) in BIOS. BIOS console redirection can also be enabled and the port address can be specified. This option is set to Auto by default. |
| Serial Port Address | Enables you to set the port address for serial devices. This option is set to Serial Device 1=COM2, Serial Device 2=COM1 by default. |

 **NOTE: You can use only Serial Device 2 for the Serial Over LAN (SOL) feature. To use console redirection by SOL, configure the same port address for console redirection and the serial device.**

| Option | Description |
|----------------------------------|---|
| |  NOTE: Every time the system boots, the BIOS syncs the serial MUX setting saved in iDRAC. The serial MUX setting can independently be changed in iDRAC. Loading the BIOS default settings from within the BIOS setup utility may not always revert the serial MUX setting to the default setting of Serial Device 1. |
| External Serial Connector | <p>Enables you to associate the External Serial Connector to Serial Device 1, Serial Device 2, or the Remote Access Device by using this option.</p>  NOTE: Only Serial Device 2 can be used for Serial Over LAN (SOL). To use console redirection by SOL, configure the same port address for console redirection and the serial device.  NOTE: Every time the system boots, the BIOS syncs the serial MUX setting saved in iDRAC. The serial MUX setting can independently be changed in iDRAC. Loading the BIOS default settings from within the BIOS setup utility may not always revert this setting to the default setting of Serial Device 1. |
| Failsafe Baud Rate | Specifies the failsafe baud rate for console redirection. The BIOS attempts to determine the baud rate automatically. This failsafe baud rate is used only if the attempt fails, and the value must not be changed. This option is set to 115200 by default. |
| Remote Terminal Type | Sets the remote console terminal type. This option is set to VT 100/VT 220 by default. |
| Redirection After Boot | Enables or disables the BIOS console redirection when the operating system is loaded. This option is set to Enabled by default. |

Related links

- [Serial Communication](#)
- [Viewing Serial Communication](#)

System Profile Settings


You can use the **System Profile Settings** screen to enable specific system performance settings such as power management.

Related links

- [System Profile Settings details](#)
- [System BIOS](#)
- [Viewing System Profile Settings](#)

Viewing System Profile Settings

To view the **System Profile Settings** screen, perform the following steps:

1. Turn on, or restart your system.
2. Press F2 immediately after you see the following message:
F2 = System Setup
 -  **NOTE: If your operating system begins to load before you press F2, wait for the system to finish booting, and then restart your system and try again.**
3. On the **System Setup Main Menu** screen, click **System BIOS**.
4. On the **System BIOS** screen, click **System Profile Settings**.





Related links

- [System Profile Settings](#)
- [System Profile Settings details](#)

System Profile Settings details

The **System Profile Settings** screen details are explained as follows:



| Option | Description |
|---|---|
| System Profile | <p>Sets the system profile. If you set the System Profile option to a mode other than Custom, the BIOS automatically sets the rest of the options. You can only change the rest of the options if the mode is set to Custom. This option is set to Performance Per Watt Optimized (DAPC) by default. DAPC is Dell Active Power Controller.</p> <p> NOTE: All the parameters on the system profile setting screen are available only when the System Profile option is set to Custom.</p> |
| CPU Power Management | Sets the CPU power management. This option is set to System DBPM (DAPC) by default. DBPM is Demand-Based Power Management. |
| Memory Frequency | Sets the speed of the system memory. You can select Maximum Performance , Maximum Reliability , or a specific speed. |
| Turbo Boost | Enables or disables the processor to operate in the turbo boost mode. This option is set to Enabled by default. |
| Energy Efficient Turbo | <p>Enables or disables the Energy Efficient Turbo option.</p> <p>Energy Efficient Turbo (EET) is a mode of operation where a processor's core frequency is adjusted to be within the turbo range based on workload.</p> |
| C1E | Enables or disables the processor to switch to a minimum performance state when it is idle. This option is set to Enabled by default. |
| C States | Enables or disables the processor to operate in all available power states. This option is set to Enabled by default. |
| Collaborative CPU Performance Control | Enables or disables the CPU power management option. When set to Enabled , the CPU power management is controlled by the OS DBPM and the System DBPM (DAPC). This option is set to Disabled by default. |
| Memory Patrol Scrub | Sets the memory patrol scrub frequency. This option is set to Standard by default. |
| Memory Refresh Rate | Sets the memory refresh rate to either 1x or 2x. This option is set to 1x by default. |
| Uncore Frequency | <p>Enables you to select the Processor Uncore Frequency option.</p> <p>Dynamic mode enables the processor to optimize power resources across the cores and uncore during runtime. The optimization of the uncore frequency to either save power or optimize performance is influenced by the setting of the Energy Efficiency Policy option.</p> |
| Energy Efficient Policy | <p>Enables you to select the Energy Efficient Policy option.</p> <p>The CPU uses the setting to manipulate the internal behavior of the processor and determines whether to target higher performance or better power savings.</p> |
| Number of Turbo Boot Enabled Cores for Processor 1 | <p> NOTE: If there are two processors installed in the system, you see an entry for Number of Turbo Boost Enabled Cores for Processor 2.</p> <p>Controls the number of turbo boost enabled cores for processor 1. The maximum number of cores is enabled by default.</p> |
| Monitor/Mwait | <p>Enables the Monitor/Mwait instructions in the processor. This option is set to Enabled for all system profiles, except Custom by default.</p> <p> NOTE: This option can be disabled only if the C States option in the Custom mode is set to disabled.</p> <p> NOTE: When C States is set to Enabled in the Custom mode, changing the Monitor/Mwait setting does not impact the system power or performance.</p> |

Related links

[System Profile Settings](#)

[Viewing System Profile Settings](#)

Miscellaneous Settings

You can use the **Miscellaneous Settings** screen to perform specific functions such as updating the asset tag and changing the system date and time.

Related links

[Miscellaneous Settings details](#)

[System BIOS](#)

[Viewing Miscellaneous Settings](#)

Viewing Miscellaneous Settings

To view the **Miscellaneous Settings** screen, perform the following steps:

1. Turn on, or restart your system.
2. Press F2 immediately after you see the following message:
F2 = System Setup



NOTE: If your operating system begins to load before you press F2, wait for the system to finish booting, and then restart your system and try again.

3. On the **System Setup Main Menu** screen, click **System BIOS**.
4. On the **System BIOS** screen, click **Miscellaneous Settings**.



Related links

[Miscellaneous Settings](#)

[Miscellaneous Settings details](#)

Miscellaneous Settings details

The **Miscellaneous Settings** screen details are explained as follows:

| Option | Description |
|-------------------------------------|--|
| System Time | Enables you to set the time on the system. |
| System Date | Enables you to set the date on the system. |
| Asset Tag | Specifies the asset tag and enables you to modify it for security and tracking purposes. |
| Keyboard NumLock | Enables you to set whether the system boots with the NumLock enabled or disabled. This option is set to On by default.  NOTE: This option does not apply to 84-key keyboards. |
| F1/F2 Prompt on Error | Enables or disables the F1/F2 prompt on error. This option is set to Enabled by default. The F1/F2 prompt also includes keyboard errors. |
| Load Legacy Video Option ROM | Enables you to determine whether the system BIOS loads the legacy video (INT 10H) option ROM from the video controller. Selecting Enabled in the operating system does not support UEFI video output standards. This field is available only for UEFI boot mode. You cannot set the option to Enabled if UEFI Secure Boot mode is enabled. |
| In-System Characterization | Enables or disables In-System Characterization . This option is set to Disabled by default. The two other options are Enabled and Enabled - No Reboot .  NOTE: The default setting for In-System Characterization is subject to change in future BIOS releases. |

When enabled, In-System Characterization (ISC) executes during POST upon detecting relevant change(s) in system configuration to optimize system power and performance. ISC takes about 20 seconds to execute.



| Option | Description |
|--------|--|
| | and system reset is needed for ISC results to be applied. The Enabled - No Reboot option executes ISC and continues without applying ISC results until the next time system reset occurs. The Enabled option executes ISC and forces an immediate system reset so that ISC results can be applied. It takes the system longer to be ready due to the forced system reset. When disabled, ISC does not execute. |

Related links

- [Miscellaneous Settings](#)
- [Viewing Miscellaneous Settings](#)

iDRAC Settings utility

The iDRAC settings utility is an interface to set up and configure the iDRAC parameters by using UEFI. You can enable or disable various iDRAC parameters by using the iDRAC settings utility.

 **NOTE: Accessing some of the features on the iDRAC settings utility needs the iDRAC Enterprise License upgrade.**

For more information about using iDRAC, see *Dell Integrated Dell Remote Access Controller User's Guide* at Dell.com/idracmanuals.

Related links

- [Device Settings](#)
- [System BIOS](#)
- [Entering the iDRAC Settings utility](#)
- [Changing the thermal settings](#)

Entering the iDRAC Settings utility

1. Turn on or restart the managed system.
2. Press F2 during Power-on Self-test (POST).
3. On the **System Setup Main Menu** page, click **iDRAC Settings**.
The **iDRAC Settings** screen is displayed.

Related links

- [iDRAC Settings utility](#)

Changing the thermal settings

The iDRAC settings utility enables you to select and customize the thermal control settings for your system.

1. Click **iDRAC Settings** → **Thermal**.
2. Under **SYSTEM THERMAL PROFILE** → **Thermal Profile**, select one of the following options:
 - Default Thermal Profile Settings
 - Maximum Performance (Performance Optimized)
 - Minimum Power (Performance per Watt Optimized)
3. Under **USER COOLING OPTIONS**, set the **Fan Speed Offset**, **Minimum Fan Speed**, and **Custom Minimum Fan Speed**.
4. Click **Back** → **Finish** → **Yes**.

Related links

- [iDRAC Settings utility](#)

Device Settings

Device Settings enables you to configure device parameters.

Related links

- [System BIOS](#)

Dell Lifecycle Controller

Dell Lifecycle Controller (LC) provides advanced embedded systems management capabilities including system deployment, configuration, update, maintenance, and diagnosis. LC is delivered as part of the iDRAC out-of-band solution and Dell system embedded Unified Extensible Firmware Interface (UEFI) applications.

Related links

[Embedded system management](#)

Embedded system management

The Dell Lifecycle Controller provides advanced embedded systems management throughout the system's lifecycle. The Dell Lifecycle Controller can be started during the boot sequence and can function independently of the operating system.

 **NOTE: Certain platform configurations may not support the full set of features provided by the Dell Lifecycle Controller.**

For more information about setting up the Dell Lifecycle Controller, configuring hardware and firmware, and deploying the operating system, see the Dell Lifecycle Controller documentation at Dell.com/idracmanuals.

Related links

[Dell Lifecycle Controller](#)

Boot Manager

The **Boot Manager** screen enables you to select boot options and diagnostic utilities.

Related links

[Boot Manager main menu](#)

[System BIOS](#)

[Viewing Boot Manager](#)

Viewing Boot Manager

To enter **Boot Manager**:

1. Turn on, or restart your system.
2. Press F11 when you see the following message:

`F11 = Boot Manager`

If your operating system begins to load before you press F11, allow the system to complete the booting, and then restart your system and try again.

Related links

[Boot Manager](#)

[Boot Manager main menu](#)

Boot Manager main menu

| Menu item | Description |
|-----------------------------|---|
| Continue Normal Boot | The system attempts to boot to devices starting with the first item in the boot order. If the boot attempt fails, the system continues with the next item in the boot order until the boot is successful or no more boot options are found. |
| One-shot Boot Menu | Enables you to access boot menu, where you can select a one-time boot device to boot from. |
| Launch System Setup | Enables you to access System Setup. |



| Menu item | Description |
|------------------------------------|--|
| Launch Lifecycle Controller | Exits the Boot Manager and invokes the Dell Lifecycle Controller program. |
| System Utilities | Enables you to launch System Utilities menu such as System Diagnostics and UEFI shell. |

Related links

- [Boot Manager](#)
- [Viewing Boot Manager](#)

One-shot BIOS boot menu

One-shot BIOS boot menu enables you to select a one-shot boot device to boot from the following options:

- Launch Diagnostics
- BIOS Update File Explorer
- Reboot System

Related links

- [Boot Manager](#)

System Utilities

System Utilities contains the following utilities that can be launched:

- Launch Diagnostics
- BIOS Update File Explorer
- Reboot System

Related links








- [Boot Manager](#)

PXE boot

The Preboot Execution Environment (PXE) is an industry standard client or interface that allows networked computers that are not yet loaded with an operating system to be configured and booted remotely by an administrator.

Installing and removing system components

Safety instructions

-  **WARNING:** Whenever you need to lift the system, get others to assist you. To avoid injury, do not attempt to lift the system by yourself.
-  **WARNING:** Opening or removing the system cover while the system is powered on may expose you to a risk of electric shock.
-  **CAUTION:** Do not operate the system without the cover for a duration exceeding five minutes.
-  **CAUTION:** Many repairs may only be done by a certified service technician. You should only perform troubleshooting and simple repairs as authorized in your product documentation, or as directed by the online or telephone service and support team. Damage due to servicing that is not authorized by Dell is not covered by your warranty. Read and follow the safety instructions that are shipped with your product.
-  **CAUTION:** Operating the system without the system cover can result in component damage.
-  **NOTE:** Dell recommends that you always use a static mat and static strap while working on components inside the system.
-  **NOTE:** To ensure proper operation and cooling, all bays in the system and system fans must be populated always with either a component or with a blank.

Before working inside your system

Prerequisites

Follow the safety guidelines listed in the Safety instructions section.

Steps

1. Turn off the system, including any attached peripherals.
2. Disconnect the system from the electrical outlet and disconnect the peripherals.
3. If installed, remove the front bezel.
4. If applicable, remove the system from the rack.
For more information, see the *Rack Installation* placemat at Dell.com/poweredgemanuals.
5. Remove the system cover.

Related links

- [Removing the optional front bezel](#)
- [Removing the system cover](#)

After working inside your system

Prerequisites

Follow the safety guidelines listed in the Safety instructions section.

Steps

1. Install the system cover.
2. If applicable, install the system into the rack.
For more information, see the *Rack Installation* placemat at Dell.com/poweredgemanuals.



3. If removed, install the optional front bezel.
4. Reconnect the peripherals and connect the system to the electrical outlet.
5. Turn on the system, including any attached peripherals.

Related links

[Installing the system cover](#)

[Installing the optional front bezel](#)

Recommended tools

You need the following tools to perform the removal and installation procedures:

- Key to the bezel lock. This is needed only if your system includes a bezel.
- Phillips #1 screwdriver
- Phillips #2 screwdriver
- #T6, #T8, #T10, and #T15 Torx screwdrivers
- Wrist grounding strap

You need the following tools to assemble the cables for a DC power supply unit.

- AMP 90871-1 hand-crimping tool or equivalent
- Tyco Electronics 58433-3 or equivalent
- Wire-stripper pliers to remove insulation from size 10 AWG solid or stranded, insulated copper wire



NOTE: Use alpha wire part number 3080 or equivalent (65/30 stranding).

Front bezel (optional)

The front bezel is attached to the front side of the server and prevents accidents while removing the hard drive or when pressing the reset or power button. The front bezel can also be locked for additional security.

Removing the optional front bezel

Prerequisites

1. Follow the safety guidelines listed in the Safety instructions section.

Steps

1. Locate and remove the bezel key.



NOTE: The bezel key is attached to the back of the bezel.

2. Unlock the bezel by using the key.
3. Slide the release latch up and pull the left end of the bezel.
4. Unhook the right end, and remove the bezel.

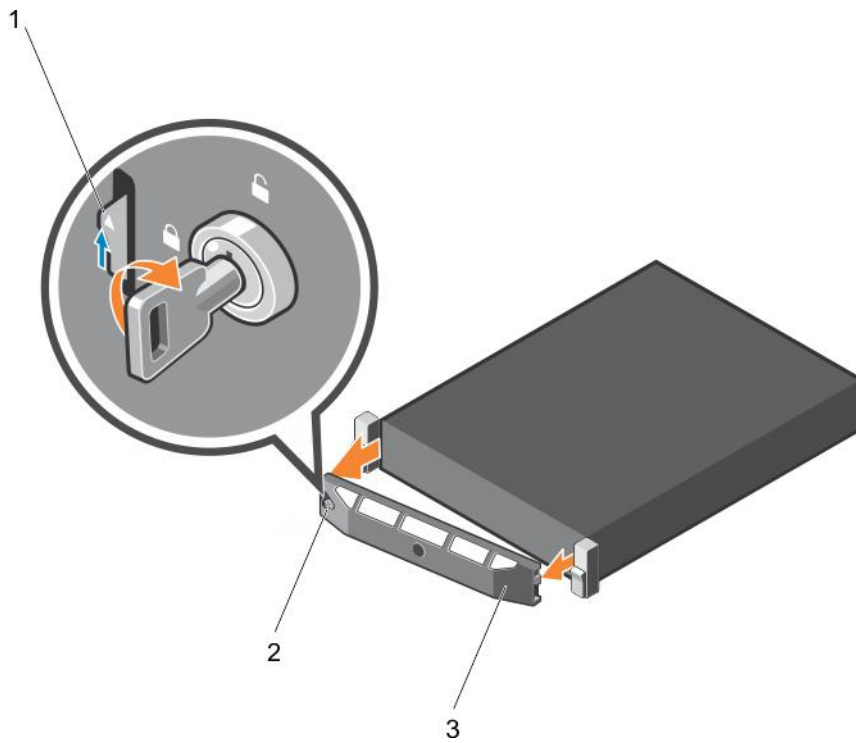


Figure 14. Removing the optional front bezel

- 1. release latch
- 2. bezel lock
- 3. front bezel

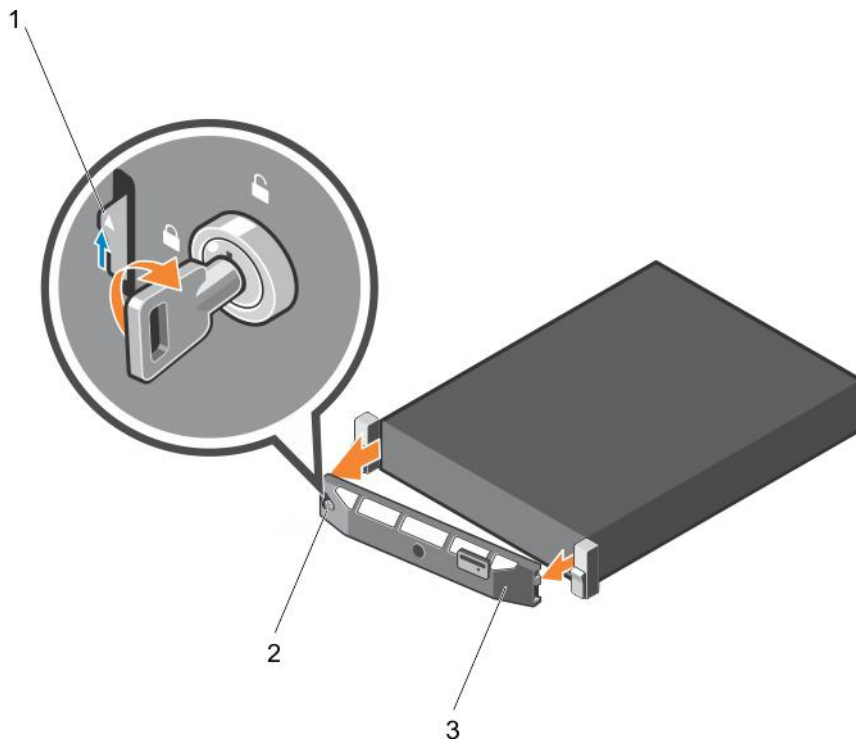


Figure 15. Removing the optional Quick Sync front bezel

- 1. release latch
- 2. bezel lock

3. Quick Sync bezel

Installing the optional front bezel

Prerequisites

1. Follow the safety guidelines listed in the Safety instructions section.

Steps

1. Locate and remove the bezel key.

 **NOTE: The bezel key is attached to the back of the bezel.**

2. Hook the right end of the bezel onto the chassis.
3. Fit the free end of the bezel onto the system.
4. Lock the bezel by using the key.

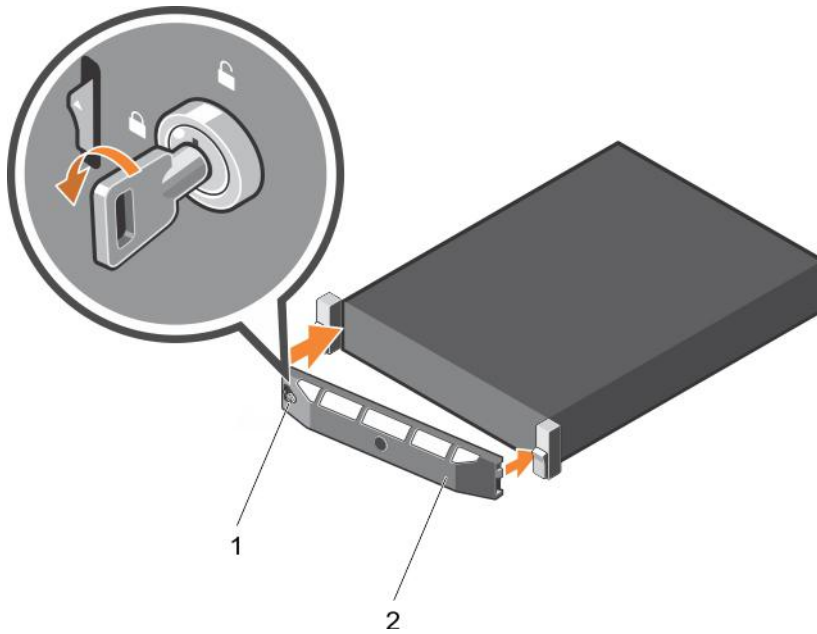


Figure 16. Installing the optional front bezel

1. bezel lock

2. front bezel

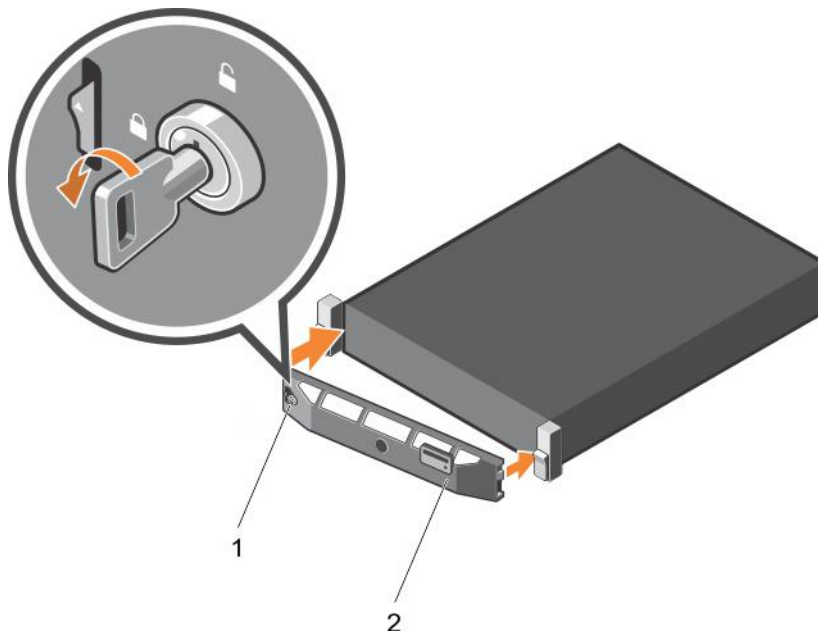


Figure 17. Installing the Quick Sync bezel

1. bezel lock

2. Quick Sync bezel

System cover

The system cover protects the components inside the system and helps in maintaining air flow inside the system. Removing the system cover actuates the intrusion switch which aids in maintaining system security.

Removing the system cover

Prerequisites

1. Follow the safety guidelines listed in the Safety instructions section.
2. Turn off the system, including any attached peripherals.
3. Disconnect the system from the electrical outlet and disconnect the peripherals.
4. If installed, remove the optional bezel. For more information, see the Removing the optional front bezel section.

Steps

1. Rotate the latch release lock counter clockwise to the unlocked position.
2. Lift the latch toward the back of the system.

The system cover slides back and the tabs on the system cover disengage from the slots on the chassis.

 **NOTE: The position of the latch may vary depending on the configuration of your system.**

3. Hold the cover on both sides, and lift the cover away from the system.

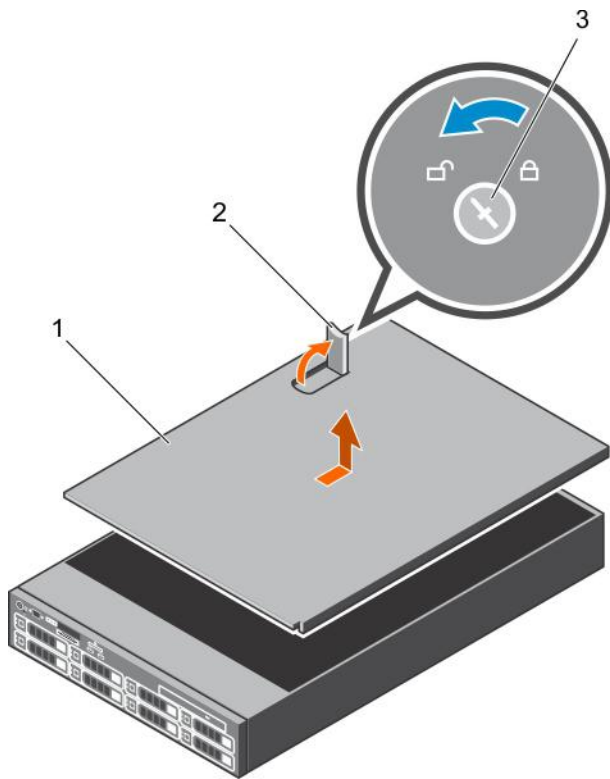


Figure 18. Removing the system cover

- | | |
|-----------------------|----------|
| 1. system cover | 2. latch |
| 3. latch release lock | |

Next steps

1. Install the system cover.

Related links

[Safety instructions](#)

Installing the system cover

Prerequisites

1. Follow the safety guidelines listed in the Safety instructions section.
2. Ensure that all internal cables are connected and placed out of the way and no tools or extra parts are left inside the system.

Steps

1. Align the slots on the system cover with the tabs on the chassis.
2. Push the system cover latch down to move the system cover into the closed position.
The system cover slides forward and the tabs on the system cover engage with the slots on the chassis. The system cover latch locks into place when the system cover engages with the slots on the chassis.
3. Rotate the latch release lock clockwise to the locked position.

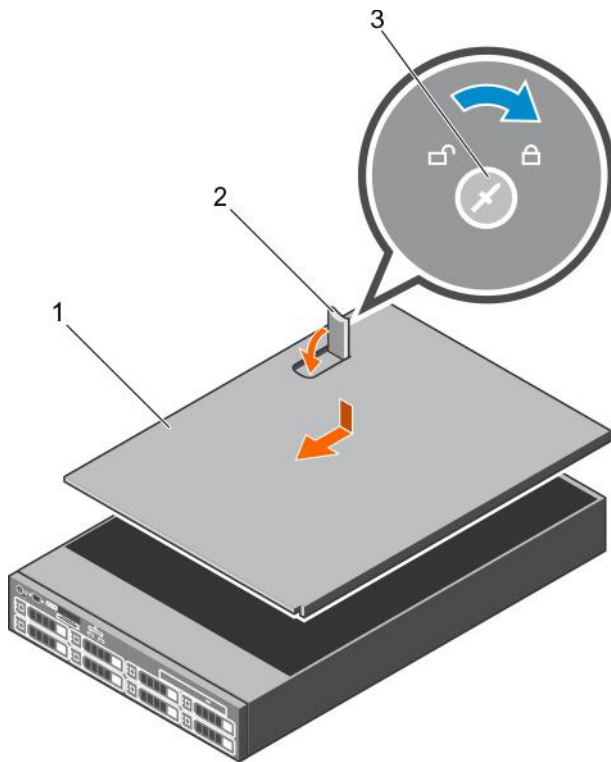


Figure 19. Installing the system cover

1. system cover
2. latch
3. latch release lock

Next steps

1. If removed, install the bezel.
2. Reconnect the peripherals and connect the system to the electrical outlet.
3. Turn on the system, including any attached peripherals.

Related links

[Safety instructions](#)

[Installing the optional front bezel](#)

Inside the system

⚠ CAUTION: Many repairs may only be done by a certified service technician. You should only perform troubleshooting and simple repairs as authorized in your product documentation, or as directed by the online or telephone service and support team. Damage due to servicing that is not authorized by Dell is not covered by your warranty. Read and follow the safety instructions that are shipped with your product.

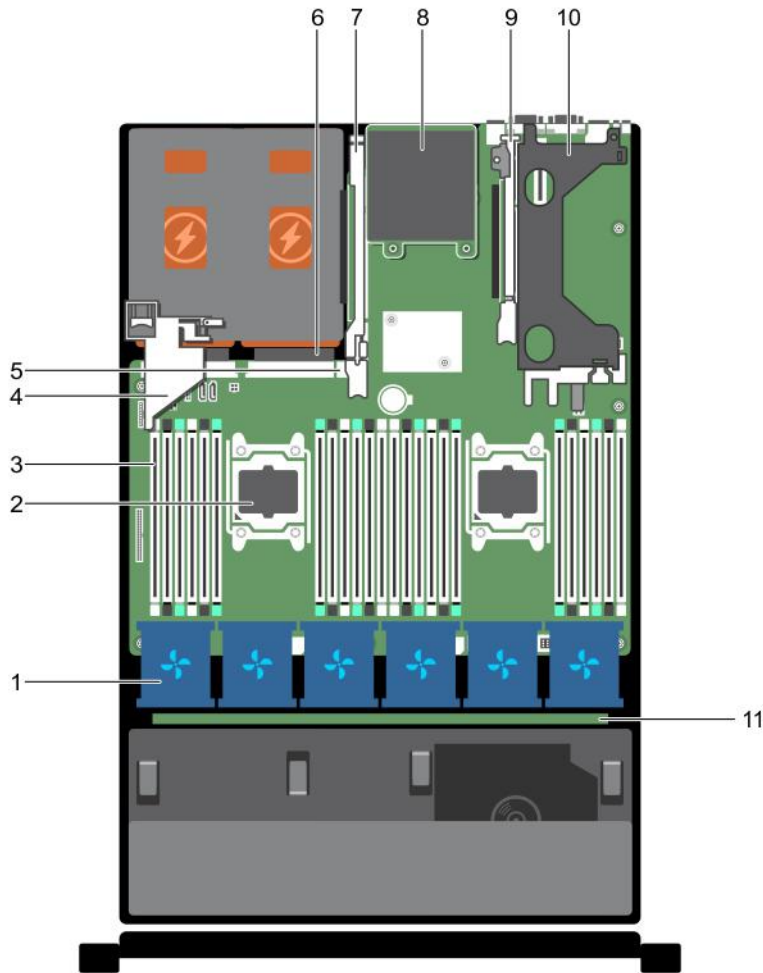


Figure 20. Inside the system



- | | |
|--|----------------------------|
| 1. cooling fan in the cooling fan assembly (6) | 2. processor (2) |
| 3. DIMM (24) | 4. PCIe card holder |
| 5. internal USB port | 6. power supply unit (2) |
| 7. expansion card riser 3 | 8. network daughter card |
| 9. expansion card riser 2 | 10. expansion card riser 1 |
| 11. hard drive backplane | |

Cooling shroud

The cooling shroud has aerodynamically placed openings that direct the airflow across the entire system. The airflow passes through all the critical parts of the system, where the vacuum pulls air across the entire surface area of the heat sink, thus allowing increased cooling.

Removing the cooling shroud

Prerequisites

-  **CAUTION:** Many repairs may only be done by a certified service technician. You should only perform troubleshooting and simple repairs as authorized in your product documentation, or as directed by the online or telephone service and support team. Damage due to servicing that is not authorized by Dell is not covered by your warranty. Read and follow the safety instructions that are shipped with your product.
-  **CAUTION:** Never operate your system with the cooling shroud removed. The system may get overheated quickly, resulting in shutdown of the system and loss of data.

1. Follow the safety guidelines listed in the Safety instructions section.
2. Follow the procedure listed in the Before working inside your system section.
3. If installed, remove the full-length PCIe card.

Steps

Holding the touch points, lift the cooling shroud away from the system.

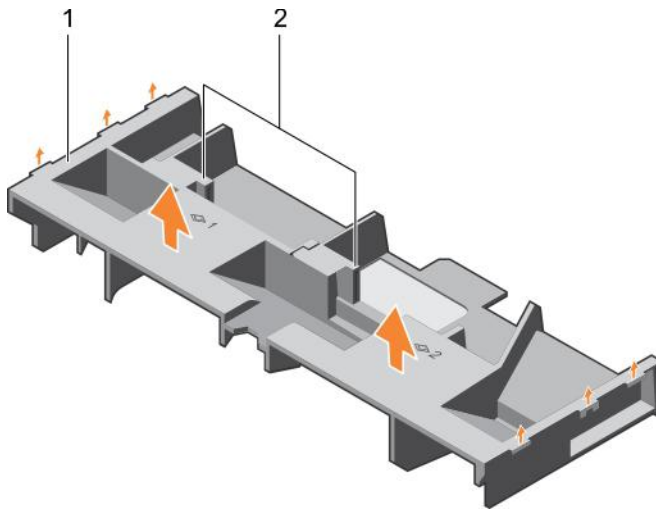


Figure 21. Removing the cooling shroud

1. cooling shroud

2. touch point (2)

Next steps

1. Install the cooling shroud.
2. Follow the procedure listed in the After working inside your system section.

Related links

[Safety instructions](#)

[Before working inside your system](#)

[Removing an expansion card from expansion card riser 2 or 3](#)

[Installing the cooling shroud](#)

[After working inside your system](#)

Installing the cooling shroud

Prerequisites

CAUTION: Many repairs may only be done by a certified service technician. You should only perform troubleshooting and simple repairs as authorized in your product documentation, or as directed by the online or telephone service and support team. Damage due to servicing that is not authorized by Dell is not covered by your warranty. Read and follow the safety instructions that are shipped with your product.

1. Follow the safety guidelines listed in the Safety instructions section.
2. Follow the procedure listed in the Before working inside your system section.
3. If applicable, route the cables inside the system along the chassis wall and secure the cables by using the cable-securing bracket.

Steps

1. Align the tabs on the cooling shroud with the securing slots on the chassis.
2. Lower the cooling shroud into the chassis until it is firmly seated.

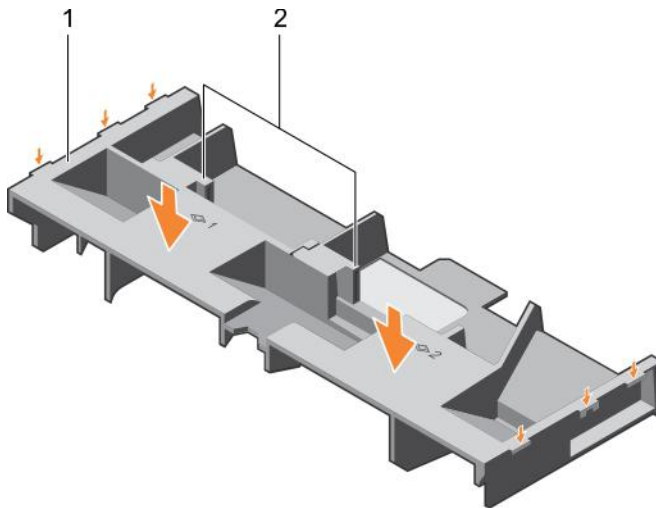


Figure 22. Installing the cooling shroud

1. cooling shroud

2. touch point (2)

Next steps

1. If removed, install the full-length PCIe card.
2. Follow the procedure listed in the After working inside your system section.

Related links

[Safety instructions](#)

[Before working inside your system](#)

Cooling fans

Your system supports six hot-swappable cooling fans.

NOTE: In the event of a problem with a particular fan, the fan number is referenced by the system management software, allowing you to easily identify and replace the proper fan by noting the fan numbers on the cooling fan assembly.

Removing a cooling fan

Prerequisites

1. Follow the safety guidelines listed in the Safety instructions section.
2. Follow the procedure listed in the Before working inside your system section.

CAUTION: Many repairs may only be done by a certified service technician. You should only perform troubleshooting and simple repairs as authorized in your product documentation, or as directed by the online or telephone service and support team. Damage due to servicing that is not authorized by Dell is not covered by your warranty. Read and follow the safety instructions that are shipped with your product.

CAUTION: The cooling fans are hot-swappable. To maintain proper cooling while the system is on, replace only one fan at a time.

NOTE: The procedure for removing each fan is identical.

Steps

Press the fan release tab and lift the cooling fan out of the cooling fan assembly.

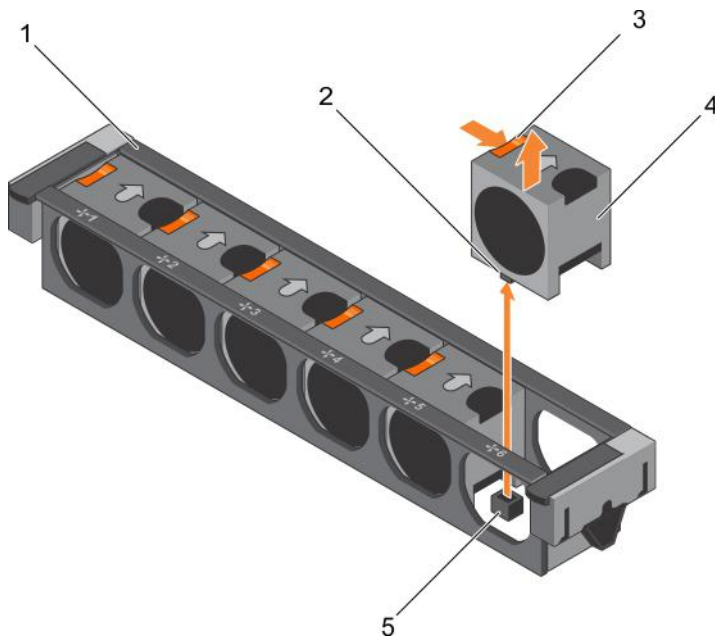


Figure 23. Removing a cooling fan

- | | |
|--|------------------------------|
| 1. cooling fan assembly | 2. cooling fan connector (6) |
| 3. fan release tab (6) | 4. cooling fan (6) |
| 5. cooling fan connector on the system board (6) | |

Next steps

1. Install the cooling fan.
2. Follow the procedure listed in the After working inside your system section.

Related links

[Safety instructions](#)

[Before working inside your system](#)

[Installing a cooling fan](#)

[After working inside your system](#)



Installing a cooling fan

Prerequisites

CAUTION: Many repairs may only be done by a certified service technician. You should only perform troubleshooting and simple repairs as authorized in your product documentation, or as directed by the online or telephone service and support team. Damage due to servicing that is not authorized by Dell is not covered by your warranty. Read and follow the safety instructions that are shipped with your product.

1. Follow the safety guidelines listed in the Safety instructions section.
2. Follow the procedure listed in the Before working inside your system section.

NOTE: Your system supports six hot swappable cooling fans.

NOTE: The procedure for installing each fan is identical.

Steps

1. Align the connector at the base of the cooling fan with the connector on the system board.
2. Slide the cooling fan into the securing slot until the tab locks into place.

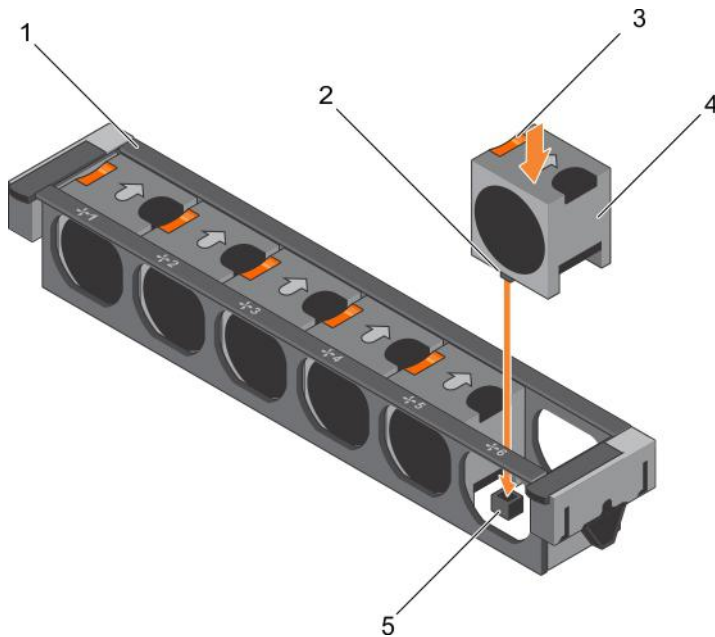


Figure 24. Installing a cooling fan

- | | |
|--|------------------------------|
| 1. cooling fan assembly | 2. cooling fan connector (6) |
| 3. fan release tab (6) | 4. cooling fan (6) |
| 5. cooling fan connector on the system board (6) | |

Next steps

Follow the procedure listed in the After working inside your system section.

Related links

[Safety instructions](#)

[Before working inside your system](#)

[After working inside your system](#)

Cooling fan assembly

The cooling fan assembly is an essential part of a server's cooling system. It ensures that the key components of the server such as the processors, hard drives, and memory get adequate air circulation to keep them cool. A failure in the server's cooling system can result in the server overheating and may lead to damage.

Removing the cooling fan assembly

Prerequisites

1. Follow the safety guidelines listed in the Safety instructions section.
2. Follow the procedure listed in the Before working inside your system section.

CAUTION: Many repairs may only be done by a certified service technician. You should only perform troubleshooting and simple repairs as authorized in your product documentation, or as directed by the online or telephone service and support team. Damage due to servicing that is not authorized by Dell is not covered by your warranty. Read and follow the safety instructions that are shipped with your product.

Steps

1. Unlock the cooling fan assembly from the chassis by lifting the release levers.
2. Lift the cooling fan assembly out of the chassis.

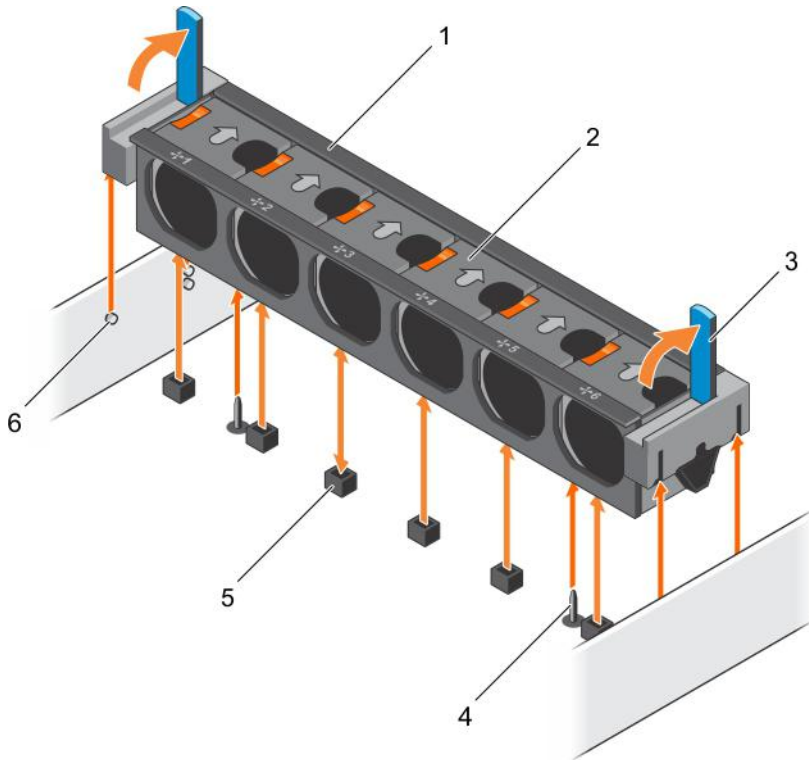


Figure 25. Removing the cooling fan assembly

- | | |
|------------------------------|--------------------------------------|
| 1. cooling fan assembly | 2. cooling fan (6) |
| 3. release lever (2) | 4. guide pin on the system board (2) |
| 5. cooling fan connector (6) | 6. guide pin on the chassis (6) |

Next steps

1. Install the cooling fan assembly.



2. Follow the procedure listed in the After working inside your system section.

Related links

- [Safety instructions](#)
- [Before working inside your system](#)
- [Installing the cooling fan assembly](#)
- [After working inside your system](#)

Installing the cooling fan assembly

Prerequisites

CAUTION: Many repairs may only be done by a certified service technician. You should only perform troubleshooting and simple repairs as authorized in your product documentation, or as directed by the online or telephone service and support team. Damage due to servicing that is not authorized by Dell is not covered by your warranty. Read and follow the safety instructions that are shipped with your product.

1. Follow the safety guidelines listed in Safety instructions section.
2. Follow the procedure listed in the Before working inside your system section.

CAUTION: Ensure that the cables are correctly installed and retained by the cable retention bracket before installing the cooling fan assembly. Incorrectly installed cables may get damaged.

Steps

1. Align the slots on the cooling fan assembly with the guide pins on the chassis.
2. Slide the cooling fan assembly into the chassis.
3. Lock the cooling fan assembly into the chassis by lowering the release levers until firmly seated.

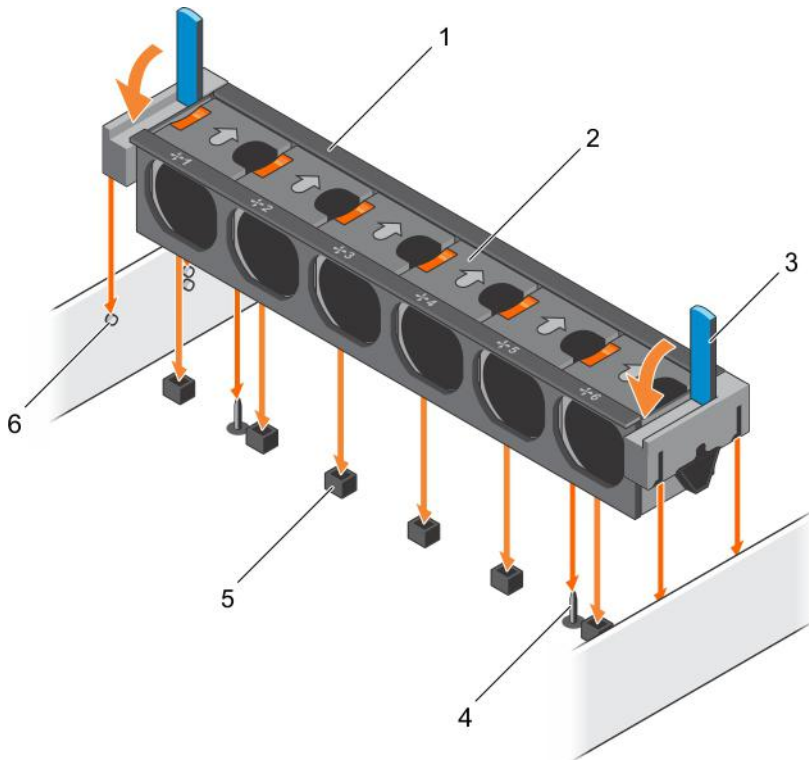


Figure 26. Installing the cooling fan assembly

- | | |
|-------------------------|--------------------------------------|
| 1. cooling fan assembly | 2. cooling fan (6) |
| 3. release lever (2) | 4. guide pin on the system board (2) |

5. cooling fan connector (6)

6. guide pin on the chassis (6)

Next steps

Follow the procedure listed in the After working inside your system section.

Related links

[Safety instructions](#)

[Before working inside your system](#)

[After working inside your system](#)

System memory

The system supports DDR4 registered DIMMs (RDIMMs) and load reduced DIMMs (LRDIMMs). System memory holds the instructions that are executed by the processor.

 **NOTE: MT/s indicates DIMM speed in MegaTransfers per second.**

Memory bus operating frequency can be 1866 MT/s, 2133 MT/s, or 2400 MT/s depending on the following factors:

- DIMM type (RDIMM or LRDIMM)
- Number of DIMMs populated per channel
- System profile selected (for example, Performance Optimized, Custom, or Dense Configuration Optimized)
- Maximum supported DIMM frequency of the processors

Your system contains 24 memory sockets split into two sets of 12 sockets, one set per processor. Each 12-socket set is organized into four channels. In each channel, the release tabs of the first socket are marked white, the second socket black, and the third socket green.

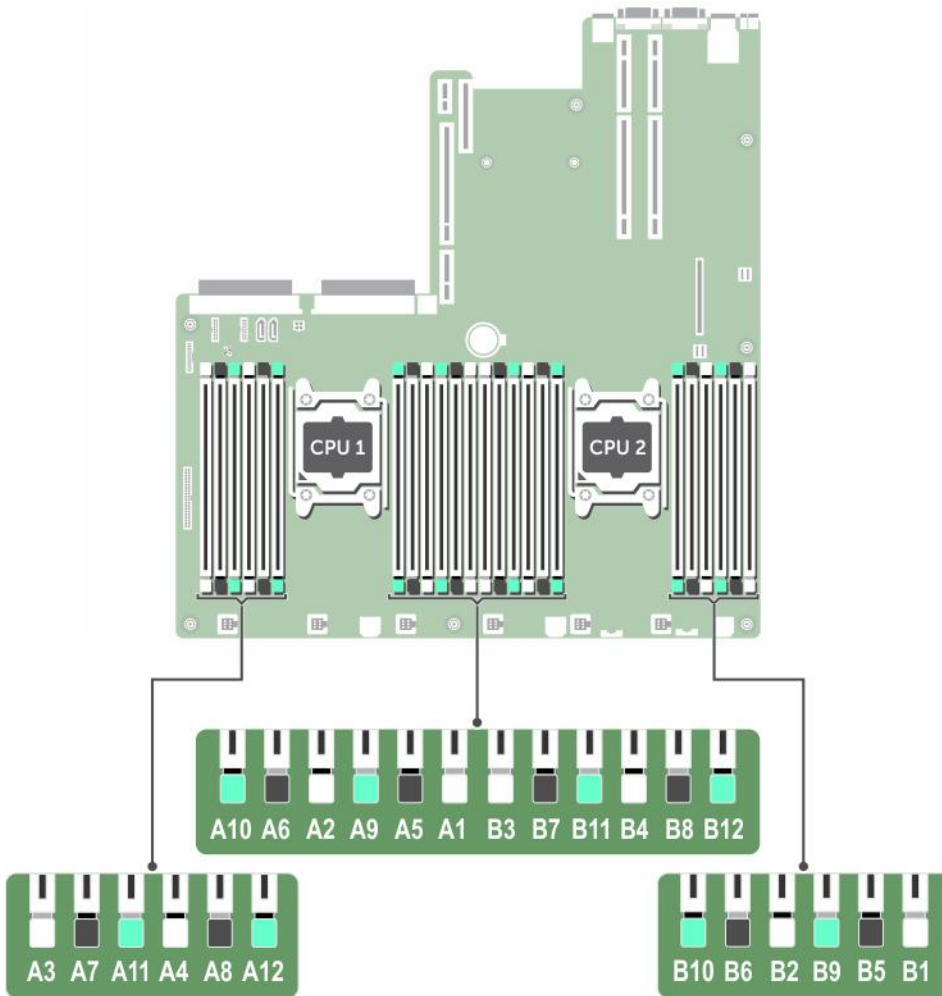


Figure 27. Memory socket locations

Memory channels are organized as follows:

Table 35. Memory channels

| Processor | Channel 0 | Channel 1 | Channel 2 | Channel 3 |
|-------------|----------------------|-----------------------|-----------------------|-----------------------|
| Processor 1 | Slots A1, A5, and A9 | Slots A2, A6, and A10 | Slots A3, A7, and A11 | Slots A4, A8, and A12 |
| Processor 2 | Slots B1, B5, and B9 | Slots B2, B6, and B10 | Slots B3, B7, and B11 | Slots B4, B8, and B12 |


The following table shows the memory populations and operating frequencies for the supported configurations:

Table 36. Memory population

| DIMM Type | DIMMs Populated/Channel | Voltage | Operating Frequency (in MT/s) | Maximum DIMM Rank/Channel |
|-----------|-------------------------|---------|-------------------------------|---------------------------|
| RDIMM | 1 | 1.2 V | 2400, 2133, 1866 | Dual rank or single rank |
| | 2 | | 2400, 2133, 1866 | Dual rank or single rank |
| | 3 | | 1866 | Dual rank or single rank |
| LRDIMM | 1 | 1.2 V | 2400, 2133, 1866 | Quad rank |

| DIMM Type | DIMMs Populated/ Channel | Voltage | Operating Frequency (in MT/s) | Maximum DIMM Rank/ Channel |
|-----------|-----------------------------|---------|----------------------------------|-------------------------------|
| | 2 | | 2400, 2133, 1866 | Quad rank |
| | 3 | | 2133, 1866 | Quad rank |

General memory module installation guidelines

 **NOTE: Memory configurations that fail to observe these guidelines can prevent your system from booting, stop responding during memory configuration, or operating with reduced memory.**

The system supports Flexible Memory Configuration, enabling the system to be configured and run in any valid chipset architectural configuration. The following are the recommended guidelines for installing memory modules:

- RDIMMs and LRDIMMs must not be mixed.
- x4 and x8 DRAM based memory modules can be mixed. For more information, see the Mode-specific guidelines section.
- Up to three dual- or single-rank RDIMMs can be populated per channel.
- Up to three LRDIMMs can be populated per channel regardless of rank count.
- If memory modules with different speeds are installed, they will operate at the speed of the slowest installed memory module(s) or slower depending on system DIMM configuration.
- Populate memory module sockets only if a processor is installed. For single-processor systems, sockets A1 to A12 are available. For dual-processor systems, sockets A1 to A12 and sockets B1 to B12 are available.
- Populate all the sockets with white release tabs first, followed by the black release tabs, and then the green release tabs.
- When mixing memory modules with different capacities, populate the sockets with memory modules with highest capacity first. For example, if you want to mix 4 GB and 8 GB memory modules, populate 8 GB memory modules in the sockets with white release tabs and 4 GB memory modules in the sockets with black release tabs.
- In a dual-processor configuration, the memory configuration for each processor should be identical. For example, if you populate socket A1 for processor 1, then populate socket B1 for processor 2, and so on.
- Memory modules of different capacities can be mixed provided other memory population rules are followed (for example, 4 GB and 8 GB memory modules can be mixed).
- Mixing of more than two memory module capacities in a system is not supported.
- Populate four memory modules per processor (one DIMM per channel) at a time to maximize performance.

Mode-specific guidelines

Four memory channels are allocated to each processor. The allowable configurations depend on the memory mode selected.

Advanced Error Correction Code (lockstep)

Advanced Error Correction Code (ECC) mode extends SDDC from x4 DRAM based DIMMs to both x4 and x8 DRAMs. This protects against single DRAM chip failures during normal operation.

The installation guidelines for memory modules are as follows:

- Memory modules must be identical in size, speed, and technology.
- DIMMs installed in memory sockets with white release levers must be identical and the same rule applies for sockets with black release levers. This ensures that identical DIMMs are installed in matched pair —for example, A1 with A2, A3 with A4, A5 with A6, and so on.

Memory optimized (independent channel) mode

This mode supports Single Device Data Correction (SDDC) only for memory modules that use x4 device width. It does not impose any specific slot population requirements.

Memory sparing

 **NOTE: To use memory sparing, this feature must be enabled in System Setup.**



In this mode, one rank per channel is reserved as a spare. If persistent correctable errors are detected on a rank, the data from this rank is copied to the spare rank, and the failed rank is disabled.

With memory sparing enabled, the system memory available to the operating system is reduced by one rank per channel. For example, in a dual-processor configuration with sixteen 4 GB single-rank memory modules, the available system memory is: 3/4 (ranks/channel) × 16 (memory modules) × 4 GB = 48 GB, and not 16 (memory modules) × 4 GB = 64 GB.

 **NOTE: Memory sparing does not offer protection against a multi-bit uncorrectable error.**

 **NOTE: Both Advanced ECC/Lockstep and Optimizer modes support memory sparing.**

Memory mirroring

Memory mirroring offers the strongest memory module reliability mode compared to all other modes, providing improved uncorrectable multi-bit failure protection. In a mirrored configuration, the total available system memory is one half of the total installed physical memory. Half of the installed memory is used to mirror the active memory modules. In the event of an uncorrectable error, the system switches over to the mirrored copy. This ensures SDDC and multi-bit protection.

The installation guidelines for memory modules are as follows:

- Memory modules must be identical in size, speed, and technology.
- Memory modules installed in memory module sockets with white release levers must be identical and the same rule applies for sockets with black and green release tabs. This ensures that identical memory modules are installed in matched pairs—for example, A1 with A2, A3 with A4, A5 with A6, and so on.

Table 37. Processor configuration

| Processor | Configuration | Memory population rules | Memory population information |
|------------|-------------------------|-------------------------|-------------------------------|
| Single CPU | Memory population order | {1,2}, {3,4} | See Memory mirroring note |

Sample memory configurations

The following tables show sample memory configurations for one and two processor configurations that follow the appropriate memory guidelines.

 **NOTE: 1R, 2R, and 4R in the following tables indicate single, dual, and quad-rank DIMMs respectively.**

Table 38. Memory configurations—single processor

| System capacity (in GB) | DIMM size (in GB) | Number of DIMMs | DIMM rank, organization, and frequency | DIMM slot population |
|-------------------------|-------------------|-----------------|--|------------------------|
| 4 | 4 | 1 | 1R, x8, 2400 MT/s | A1 |
| | | | 1R, x8, 2133 MT/s | |
| 8 | 4 | 2 | 1R, x8, 2400 MT/s | A1, A2 |
| | | | 1R, x8, 2133 MT/s | |
| 16 | 4 | 4 | 1R, x8, 2400 MT/s | A1, A2, A3, A4 |
| | | | 1R, x8, 2133 MT/s | |
| | 8 | 2 | 1R, x8, 2400 MT/s | A1, A2 |
| | | | 1R, x8, 2133 MT/s | |
| 24 | 4 | 6 | 1R, x8, 2400 MT/s | A1, A2, A3, A4, A5, A6 |

| System capacity (in GB) | DIMM size (in GB) | Number of DIMMs | DIMM rank, organization, and frequency | DIMM slot population |
|-------------------------|-------------------|-----------------|--|---|
| | | | 1R, x8, 2133 MT/s | |
| 48 | 4 | 12 | 1R, x8, 1866 MT/s | A1, A2, A3, A4, A5, A6, A7, A8, A9, A10, A11, A12 |
| | 8 | 6 | 1R, x8, 2400 MT/s | A1, A2, A3, A4, A5, A6 |
| | | | 1R, x8, 2133 MT/s | |
| 96 | 8 | 12 | 1R, x8, 1866 MT/s | A1, A2, A3, A4, A5, A6, A7, A8, A9, A10, A11, A12 |
| | 16 | 6 | 2R, x8, 2400 MT/s | A1, A2, A3, A4, A5, A6 |
| | | | 2R, x8, 2133 MT/s | |
| 128 | 16 | 8 | 2R, x8, 2400 MT/s | A1, A2, A3, A4, A5, A6, A7, A8 |
| | | | 2R, x8, 2133 MT/s | |
| | 128 | 1 | 4R, x4, 2400 MT/s | A1 |
| 144 | 8 | 10 | 1R, x8, 1866 MT/s | A1, A2, A3, A4, A5, A6, A7, A8, A9, A11* |
| | 16 | 10 | 2R, x8, 1866 MT/s | A1, A2, A3, A4, A5, A6, A7, A8, A9, A11* |
| 256 | 32 | 8 | 2R, x4, 2400 MT/s | A1, A2, A3, A4, A5, A6, A7, A8 |
| | | | 2R, x4, 2133 MT/s | |
| | 128 | 2 | 4R, x4, 2400 MT/s | A1, A2 |
| 384 | 32 | 12 | 2R, x4, 1866 MT/s | A1, A2, A3, A4, A5, A6, A7, A8, A9, A10, A11, A12 |
| 512 | 64 | 8 | 4R, x4, 2133 MT/s | A1, A2, A3, A4, A5, A6, A7, A8 |
| | | | 4R, x4, 2400 MT/s | |
| | 128 | 4 | 4R, x4, 2400 MT/s | A1, A2, A3, A4 |
| 768 | 64 | 12 | 4R, x4, 1866 MT/s | A1, A2, A3, A4, A5, A6, A7, A8, A9, A10, A11, A12 |
| | | | 4R, x4, 2133 MT/s | |
| | 128 | 6 | 4R, x4, 2400 MT/s | A1, A2, A3, A4, A5, A6 |
| 1536 | 128 | 12 | 4R, x4, 2133 MT/s | A1, A2, A3, A4, A5, A6, A7, A8, A9, A10, A11, A12 |
| | | | 4R, x4, 1866 MT/s | |

* 16 GB DIMMs must be installed in slots numbered A1, A2, A3, A4, A5, A6, A7, and A8 and 8 GB DIMMs must be installed in slots A9 and A11.



Table 39. Memory configurations—two processors

| System capacity (in GB) | DIMM size (in GB) | Number of DIMMs | DIMM rank, organization, and frequency | DIMM slot population |
|--------------------------------|--------------------------|------------------------|---|--|
| 16 | 4 | 4 | 1R, x8, 2400 MT/s | A1, A2, B1, B2 |
| | | | 1R, x8, 2133 MT/s | |
| 32 | 4 | 8 | 1R, x8, 2400 MT/s | A1, A2, A3, A4, B1, B2, B3, B4 |
| | | | 1R, x8, 2133 MT/s | |
| 64 | 4 | 16 | 1R, x8, 2400 MT/s | A1, A2, A3, A4, A5, A6, A7, A8, B1, B2, B3, B4, B5, B6, B7, B8 |
| | | | 1R, x8, 2133 MT/s | |
| | 8 | 8 | 1R, x8, 2400 MT/s | A1, A2, A3, A4, B1, B2, B3, B4 |
| | | | 1R, x8, 2133 MT/s | |
| 96 | 4 | 24 | 1R, x8, 1866 MT/s | A1, A2, A3, A4, A5, A6, A7, A8, A9, A10, A11, A12, B1, B2, B3, B4, B5, B6, B7, B8, B9, B10, B11, B12 |
| | | | 1R, x8, 2133 MT/s | |
| | 8 | 12 | 1R, x8, 2400 MT/s | A1, A2, A3, A4, A5, A6, B1, B2, B3, B4, B5, B6 |
| | | | 1R, x8, 2133 MT/s | |
| 128 | 8 | 16 | 1R, x8, 2400 MT/s | A1, A2, A3, A4, A5, A6, A7, A8, B1, B2, B3, B4, B5, B6, B7, B8 |
| | | | 1R, x8, 2133 MT/s | |
| | 16 | 8 | 2R, x8, 2400 MT/s | A1, A2, A3, A4, B1, B2, B3, B4 |
| | | | 2R, x8, 2133 MT/s | |
| 160 | 8 | 20 | 1R, x8, 1866 MT/s | A1, A2, A3, A4, A5, A6, A7, A8, A9, A11, B1, B2, B3, B4, B5, B6, B7, B8, B9, B11 |
| | | | 1R, x8, 2133 MT/s | |
| | 8 | 12 | 1R, x8, 2400 MT/s | A1, A2, A3, A4, A5, A6, B1, B2, B3, B4, B5, B6 * |
| | | | 1R, x8, 2133 MT/s | |
| | 16 | 12 | 2R, x8, 2400 MT/s | A1, A2, A3, A4, A5, A6, B1, B2, B3, B4, B5, B6 * |
| | | | 2R, x8, 2133 MT/s | |
| 192 | 8 | 24 | 1R, x8, 1866 MT/s | A1, A2, A3, A4, A5, A6, A7, A8, A9, A10, A11, A12, B1, B2, B3, B4, B5, B6, B7, B8, B9, B10, B11, B12 |
| | | | 1R, x8, 2133 MT/s | |
| | 16 | 12 | 2R, x8, 2400 MT/s | A1, A2, A3, A4, A5, A6, B1, B2, B3, B4, B5, B6 |
| | | | 2R, x8, 2133 MT/s | |
| 256 | 16 | 16 | 2R, x8, 2400 MT/s | A1, A2, A3, A4, A5, A6, A7, A8, B1, B2, B3, B4, B5, B6, B7, B8 |
| | | | 2R, x8, 2133 MT/s | |



| System capacity (in GB) | DIMM size (in GB) | Number of DIMMs | DIMM rank, organization, and frequency | DIMM slot population |
|-------------------------|-------------------|-----------------|--|--|
| | 128 | 2 | 4R, x4, 2400 MT/s | A1, B1 |
| 384 | 16 | 24 | 2R, x8, 1866 MT/s | A1, A2, A3, A4, A5, A6, A7, A8, A9, A10, A11, A12, B1, B2, B3, B4, B5, B6, B7, B8, B9, B10, B11, B12 |
| | 32 | 12 | 2R, x4, 2400 MT/s 2R, x4, 2133 MT/s | A1, A2, A3, A4, A5, A6, B1, B2, B3, B4, B5, B6 |
| 512 | 32 | 16 | 2R, x4, 2400 MT/s 2R, x4, 2133 MT/s | A1, A2, A3, A4, A5, A6, A7, A8, B1, B2, B3, B4, B5, B6, B7, B8 |
| | 64 | 8 | 4R, x4, 2400 MT/s 4R, x4, 2133 MT/s | A1, A2, A3, A4, A5, A6, A7, A8, B1, B2, B3, B4, B5, B6, B7, B8 |
| | 128 | 4 | 4R, x4, 2400 MT/s | A1, A2, B1, B2 |
| 768 | 32 | 24 | 2R, x4, 1866 MT/s | A1, A2, A3, A4, A5, A6, A7, A8, A9, A10, A11, A12, B1, B2, B3, B4, B5, B6, B7, B8, B9, B10, B11, B12 |
| | 64 | 16 | 4R, x4, 2400 MT/s 4R, x4, 2133 MT/s | A1, A2, A3, A4, A5, A6, A7, A8, A9, A10, A11, A12, B1, B2, B3, B4, B5, B6 |
| 1024 | 64 | 16 | 4R, x4, 2133 MT/s | A1, A2, A3, A4, A5, A6, A7, A8, A9, A10, A11, A12, B1, B2, B3, B4, B5, B6 |
| | 128 | 8 | 4R, x4, 2400 MT/s | A1, A2, A3, A4, B1, B2, B3, B4 |
| 1536 | 64 | 24 | 4R, x4, 1866 MT/s 4R, x4, 2133 MT/s | A1, A2, A3, A4, A5, A6, A7, A8, A9, A10, A11, A12, B1, B2, B3, B4, B5, B6, B7, B8, B9, B10, B11, B12 |
| | 128 | 12 | 4R, x4, 2400 MT/s | A1, A2, A3, A4, A5, A6, B1, B2, B3, B4, B5, B6 |
| 2048 | 128 | 16 | 4R, x4, 2400 MT/s | A1, A2, A3, A4, A5, A6, A7, A8, B1, B2, B3, B4, B5, B6, B7, B8 |
| 2560 | 128 | 20 | 4R, x4, 2133 MT/s 4R, x4, 1866 MT/s | A1, A2, A3, A4, A5, A6, A7, A8, A9, A10, B1, B2, B3, B4, B5, B6, B7, B8, B9, B10 |
| 3072 | 128 | 24 | 4R, x4, 2133 MT/s 4R, x4, 1866 MT/s | A1, A2, A3, A4, A5, A6, A7, A8, A9, A10, A11, A12, B1, B2, B3, B4, B5, B6, B7, B8, B9, B10, B11, B12 |

* 16 GB DIMMs must be installed in slots numbered A1, A2, A3, A4, B1, B2, B3, and B4 and 8 GB DIMMs must be installed in slots A5, A6, B5, and B6.



Removing memory modules

Prerequisites

CAUTION: Many repairs may only be done by a certified service technician. You should only perform troubleshooting and simple repairs as authorized in your product documentation, or as directed by the online or telephone service and support team. Damage due to servicing that is not authorized by Dell is not covered by your warranty. Read and follow the safety instructions that are shipped with your product.

1. Follow the safety guidelines listed in the Safety instructions section.
2. Follow the procedure listed in the Before working inside your system section.
3. Remove the cooling shroud.
4. If installed, remove the cooling fan assembly. For more information, see the Removing the cooling fan assembly section.
5. If installed, remove the 165 W heat sink.

WARNING: The memory modules are hot to touch for some time after the system has been powered down. Allow the memory modules to cool before handling them. Handle the memory modules by the card edges and avoid touching the components or metallic contacts on the memory module.

CAUTION: To ensure proper system cooling, memory module blanks must be installed in any memory socket that is not occupied. Remove memory module blanks only if you intend to install memory modules in those sockets.

Steps

1. Locate the appropriate memory module socket.

CAUTION: Handle each memory module only by the card edges, ensuring not to touch the middle of the memory module or metallic contacts.

2. To release the memory module from the socket, simultaneously press the ejectors on both ends of the memory module socket.
3. Lift and remove the memory module from the system.

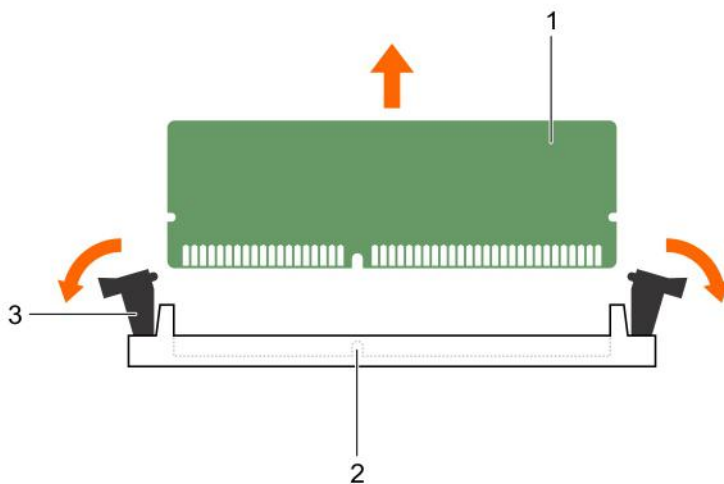


Figure 28. Removing the memory module

- | | |
|-------------------------------------|-------------------------|
| 1. memory module | 2. memory module socket |
| 3. memory module socket ejector (2) | |

Next steps

1. Install the memory module.

 **NOTE: If you are removing the memory module permanently, install a memory module blank.**



2. Install the cooling shroud.
3. If removed, install the 165 W heat sink.
4. Follow the procedure listed in the After working inside your system section.

Related links

[Safety instructions](#)
[Before working inside your system](#)
[Removing the cooling shroud](#)
[Removing the cooling fan assembly](#)
[Removing a heat sink](#)
[Installing a heat sink](#)
[Installing the cooling shroud](#)
[After working inside your system](#)

Installing memory modules

Prerequisites

-  **WARNING: The memory modules are hot to touch for some time after the system has been powered down. Allow the memory modules to cool before handling them. Handle the memory modules by the card edges and avoid touching the components or metallic contacts on the memory module.**
-  **CAUTION: Many repairs may only be done by a certified service technician. You should only perform troubleshooting and simple repairs as authorized in your product documentation, or as directed by the online or telephone service and support team. Damage due to servicing that is not authorized by Dell is not covered by your warranty. Read and follow the safety instructions that are shipped with your product.**

1. Follow the safety guidelines listed in the Safety instructions section.
2. Follow the procedure listed in the Before working inside your system section.
3. Removing the cooling fan assembly.
4. If installed, remove the 165 W heat sink.
5. Remove the cooling shroud.

Steps

1. Locate the appropriate memory module socket.

 **CAUTION: Handle each memory module only by the card edges, ensuring not to touch the middle of the memory module or metallic contacts.**

2. Open the ejectors on the memory module socket outward to allow the memory module to be inserted into the socket.
3. Align the edge connector of the memory module with the alignment key of the memory module socket, and insert the memory module in the socket.

 **CAUTION: Do not apply pressure at the center of the memory module; apply pressure at both ends of the memory module evenly.**

 **NOTE: The memory module socket has an alignment key that enables you to install the memory module in the socket in only one orientation.**

4. Press the memory module with your thumbs until the socket levers firmly click into place.
When the memory module is properly seated in the socket, the levers on the memory module socket align with the levers on the other sockets that have memory modules installed.

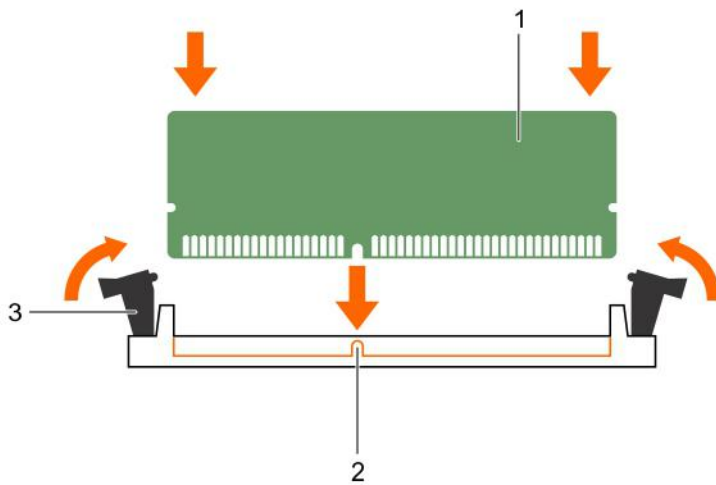


Figure 29. Installing the memory module

- | | |
|-------------------------------------|------------------|
| 1. memory module | 2. alignment key |
| 3. memory module socket ejector (2) | |

Next steps

1. Install the cooling shroud.
2. If removed, install the 165 W heat sink.
3. Follow the procedure listed in the After working inside your system section.
4. Press F2 to enter System Setup, and check the **System Memory** setting.
The system should have already changed the value to reflect the installed memory.
5. If the value is incorrect, one or more of the memory modules may not be installed properly. Ensure that the memory module is firmly seated in the memory module socket.
6. Run the system memory test in system diagnostics.

Related links

- [Safety instructions](#)
- [Before working inside your system](#)
- [Removing the cooling shroud](#)
- [Removing the cooling fan assembly](#)
- [Removing a heat sink](#)
- [Installing a heat sink](#)
- [Installing the cooling shroud](#)
- [After working inside your system](#)

Processors and heat sinks

NOTE: If you are using the Intel E5-2689 v4 (165 W) processor:

- Using PCIe risers 1 and 3 can result in thermal errors.
- You must remove the 165 W heat sink to replace the memory module. You must also reapply the thermal paste when the heat sink is removed.
- All the cooling fans work at optimum speed to ensure sufficient cooling.

Use the following procedures when:

- Removing and installing a heat sink
- Installing an additional processor
- Replacing a processor

NOTE: To ensure proper cooling, you must install a processor blank in any empty processor socket.

Removing a heat sink

Prerequisites

- CAUTION:** Never remove the heat sink from a processor unless you intend to remove the processor. The heat sink is necessary to maintain proper thermal conditions.
- WARNING:** The heat sink will be hot to touch. Allow the heat sink to cool for some time after powering down the system.

1. Follow the safety guidelines listed in the Safety instructions section.
2. Keep the Phillips #2 screwdriver ready.
3. Follow the procedure listed in the Before working inside your system section.
4. If installed, remove the full-length PCIe card(s).
5. Remove the cooling shroud.

Steps

1. Loosen one of the screws that secure the heat sink to the system board.
Allow some time (approximately 30 seconds) for the heat sink to loosen from the processor.
2. Remove the screw diagonally opposite the screw you first removed.
3. Repeat the procedure for the remaining two screws.
4. Remove the heat sink.

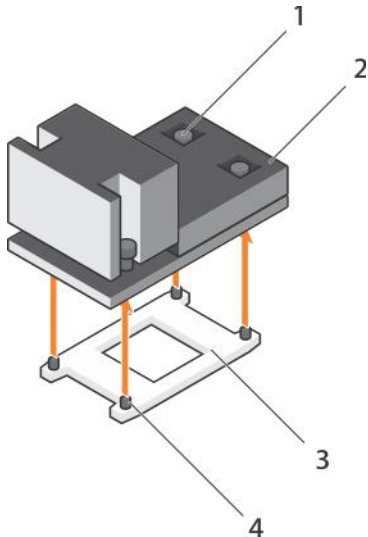


Figure 30. Removing a heat sink

- | | |
|------------------------|-----------------------------|
| 1. retention screw (4) | 2. heat sink |
| 3. processor shield | 4. retention screw slot (4) |

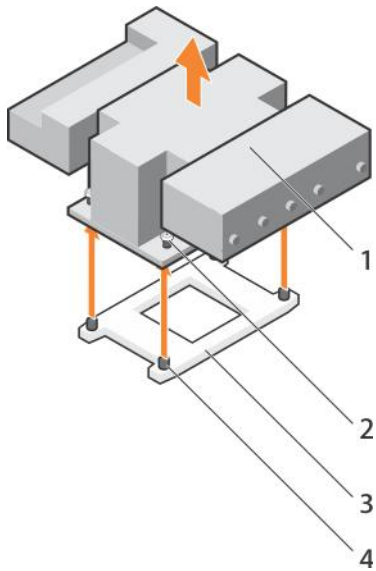


Figure 31. Removing a 165 W heat sink

- | | |
|---------------------|-----------------------------|
| 1. heat sink | 2. retention screw (4) |
| 3. processor socket | 4. retention screw slot (4) |

Next steps

1. Replace the heat sink(s) and processor(s).
2. Follow the procedure listed in the After working inside your system section.

Related links

- [Safety instructions](#)
- [Before working inside your system](#)
- [Removing an expansion card from expansion card riser 2 or 3](#)
- [Removing the cooling shroud](#)
- [Removing a processor](#)
- [Installing a processor](#)
- [Installing a heat sink](#)
- [Installing the cooling shroud](#)
- [Installing an expansion card into the expansion card riser 2 or 3](#)
- [After working inside your system](#)

Removing a processor

Prerequisites

CAUTION: Many repairs may only be done by a certified service technician. You should only perform troubleshooting and simple repairs as authorized in your product documentation, or as directed by the online or telephone service and support team. Damage due to servicing that is not authorized by Dell is not covered by your warranty. Read and follow the safety instructions that are shipped with your product.

NOTE: This is a Field Replaceable Unit (FRU). Removal and installation procedures should be performed only by Dell certified service technicians.

NOTE: To ensure proper system cooling, you must install a processor blank in any empty processor socket.

1. Follow the safety guidelines listed in the Safety instructions section.
2. Follow the procedure listed in the Before working inside your system section.
3. Keep the Phillips #2 screwdriver ready.



4. If installed, remove the full-length PCIe card(s).
5. Remove the cooling shroud.
6. Remove the heat sink.
7. If you are upgrading your system, download the latest system BIOS version from [Dell.com/support](https://www.dell.com/support) and follow the instructions included in the compressed download file to install the update on your system.

 **NOTE: You can update the system BIOS by using the Dell Lifecycle Controller.**

 **CAUTION: The processor is held in its socket under strong pressure. Be aware that the release lever can spring up suddenly if not firmly grasped.**


 **WARNING: The processor is hot to touch for some time after the system has been powered down. Allow the processor to cool before removing it.**

Steps

1. Release the *open first* socket lever near the unlock icon  by pushing the lever down and out from under the tab.
2. Release the *close first* socket release lever near the lock icon  by pushing the lever down and out from under the tab. Lift the lever 90 degrees upward.
3. Lower the *open first* socket-release lever to lift the processor shield.
4. Hold the tab on the processor shield and lift the processor shield until the *open first* socket-release lever lifts up.

 **CAUTION: The socket pins are fragile and can be permanently damaged. Be careful not to bend the pins in the socket when removing the processor out of the socket.**

5. Lift the processor out of the socket and leave the *open first* socket-release lever up.

 **NOTE: If you are permanently removing the processor, you must install a socket protective cap in the vacant socket to protect the socket pins and keep the socket free of dust.**

 **NOTE: After removing the processor, place it in an anti-static container for reuse, return, or temporary storage. Do not touch the bottom of the processor. Touch only the side edges of the processor.**

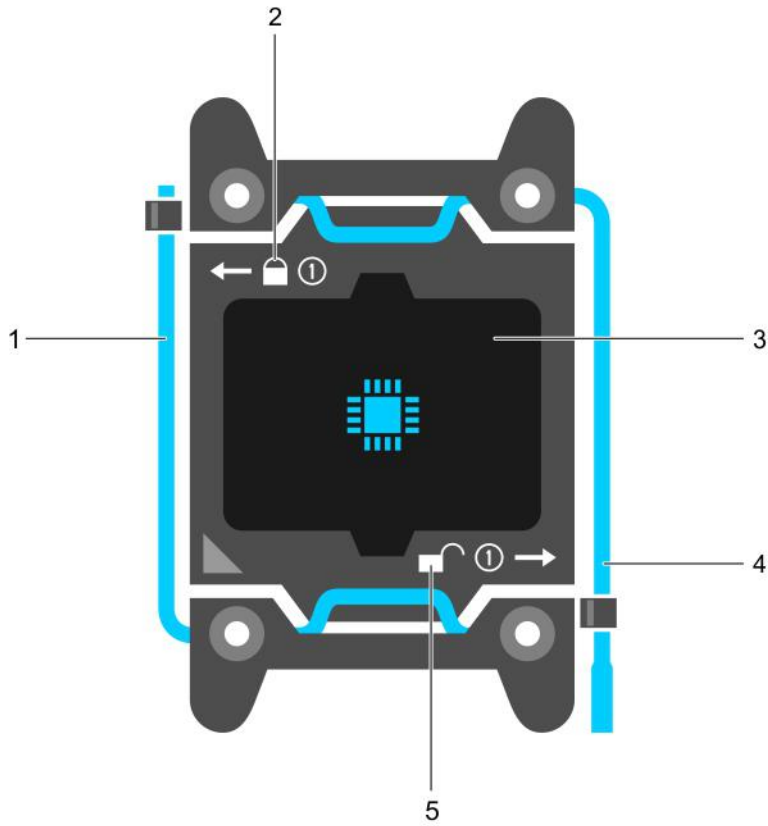


Figure 32. Processor shield

- | | |
|--|---|
| 1. <i>close first</i> socket release lever | 2. lock icon |
| 3. processor | 4. <i>open first</i> socket release lever |
| 5. unlock icon | |

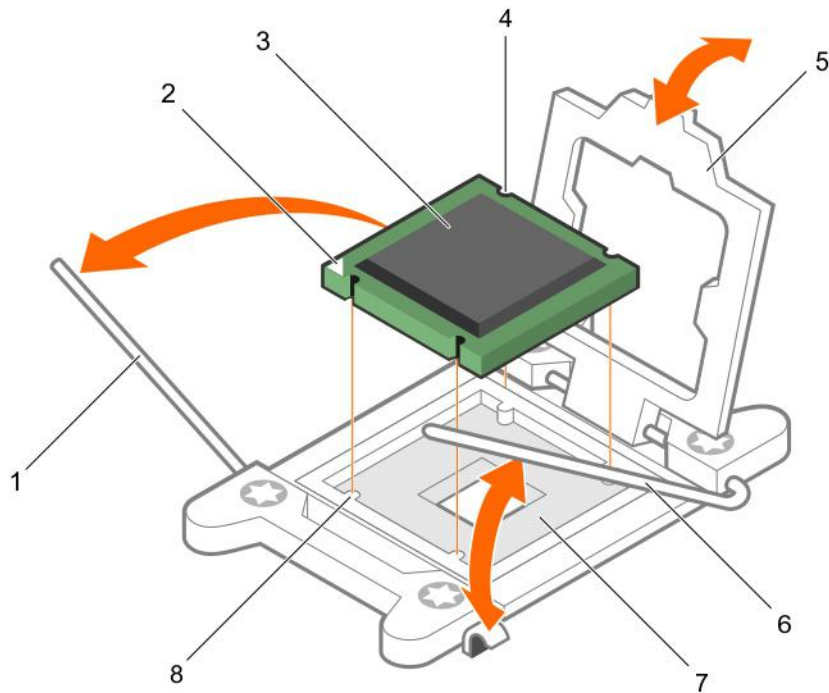


Figure 33. Removing and installing a processor

- | | |
|-------------------------------------|------------------------------------|
| 1. close first socket-release lever | 2. pin-1 indicator of processor |
| 3. processor | 4. slot (4) |
| 5. processor shield | 6. open first socket-release lever |
| 7. socket | 8. socket keys (4) |

Next steps


1. Replace the processor(s).
2. Install the heat sink.
3. Reinstall the cooling shroud.
4. Follow the procedure listed in the After working inside your system section.

Related links

- [Safety instructions](#)
- [Before working inside your system](#)
- [Removing an expansion card from expansion card riser 2 or 3](#)
- [Removing the cooling shroud](#)
- [Removing a heat sink](#)
- [Installing a processor](#)
- [Installing a heat sink](#)
- [Installing the cooling shroud](#)
- [Installing an expansion card into the expansion card riser 2 or 3](#)
- [After working inside your system](#)

Installing a processor

Prerequisites

 **CAUTION:** Many repairs may only be done by a certified service technician. You should only perform troubleshooting and simple repairs as authorized in your product documentation, or as directed by the online or telephone service and support team. Damage due to servicing that is not authorized by Dell is not covered by your warranty. Read and follow the safety instructions that are shipped with your product.

1. Follow the safety guidelines listed in the Safety instructions section.
2. Follow the procedure listed in the Before working inside your system section.
3. Keep the Phillips #2 screwdriver ready.
4. If you are upgrading your system, download the latest system BIOS version from [Dell.com/support](https://www.dell.com/support) and follow the instructions included in the compressed download file to install the update on your system.

 **NOTE:** You can also update the system BIOS by using the Dell Lifecycle Controller.

5. Remove the cooling shroud.

 **NOTE:** If applicable, close the expansion card latch on the cooling shroud to release the full length card.

6. If connected, disconnect the cables from expansion card (s).
7. If installed, remove the expansion card riser.


 **WARNING:** The heat sink and processor are too hot to touch for some time after the system has been powered down. Allow the heat sink and processor to cool down before handling them.



 **CAUTION:** Never remove the heat sink from a processor unless you intend to remove the processor. The heat sink is necessary to maintain proper thermal conditions.

 **NOTE:** If you are installing a single processor, it must be installed in socket CPU1.


Steps

1. Unpack the new processor.

 **NOTE:** If the processor has previously been used in a system, remove any remaining thermal grease from the processor by using a lint-free cloth.

2. Locate the processor socket.
3. If applicable, remove the socket protective cap.
4. Release the *open first* socket-release lever near the unlock icon  by pushing the lever down and out from under the tab.
5. Similarly, release the *close first* socket-release lever near the lock icon  by pushing the lever down and out from under the tab. Lift the lever 90 degrees upward.
6. Hold the tab near the lock symbol on the processor shield and lift it up and out of the way.

 **CAUTION:** Positioning the processor incorrectly can permanently damage the system board or the processor. Be careful not to bend the pins in the socket.

 **CAUTION:** While removing or reinstalling the processor, wipe your hands of any contaminants. Contaminants on the processor pins such as thermal grease or oil can damage the processor.



7. Align the processor with the socket keys.

 **CAUTION:** Do not use force to seat the processor. When the processor is positioned correctly, it engages easily into the socket.

8. Align the pin-1 indicator of the processor with the triangle on the socket.

 **CAUTION:** Do not use force to seat the processor. When the processor is positioned correctly, it engages easily into the socket.

9. Place the processor on the socket such that the slots on the processor align with the socket keys.
10. Close the processor shield.

11. Lower the *close first* socket-release lever near the lock icon  and push it under the tab to lock it.
12. Similarly, lower the *open first* socket-release lever near the unlock icon  and push it under the tab to lock it.


Next steps

 **NOTE: Ensure that you install the heat sink after you install the processor. The heat sink is necessary to maintain proper thermal conditions.**

1. Install the heat sink.
2. If removed, reinstall the PCIe expansion card riser.
3. If disconnected, reconnect the cables to the expansion card(s).
4. While booting, press F2 to enter System Setup and verify that the processor information matches the new system configuration.
5. Run the system diagnostics to verify that the new processor operates correctly.

Installing a heat sink

Prerequisites

 **CAUTION: Many repairs may only be done by a certified service technician. You should only perform troubleshooting and simple repairs as authorized in your product documentation, or as directed by the online or telephone service and support team. Damage due to servicing that is not authorized by Dell is not covered by your warranty. Read and follow the safety instructions that are shipped with your product.**

1. Follow the safety guidelines listed in the Safety instructions section.
2. Follow the procedure listed in the Before working inside your system section.
3. Keep the Phillips #2 screwdriver ready.
4. Remove the cooling shroud.
5. Install the processor.

Steps

1. If you are using an existing heat sink, remove the thermal grease from the heat sink by using a clean lint-free cloth.
2. Use the thermal grease syringe included with your processor kit to apply the grease in a thin spiral on the top of the processor.

 **CAUTION: Applying too much thermal grease can result in excess grease coming in contact with and contaminating the processor socket.**

 **NOTE: The thermal grease syringe is intended for one-time use only. Dispose of the syringe after you use it.**

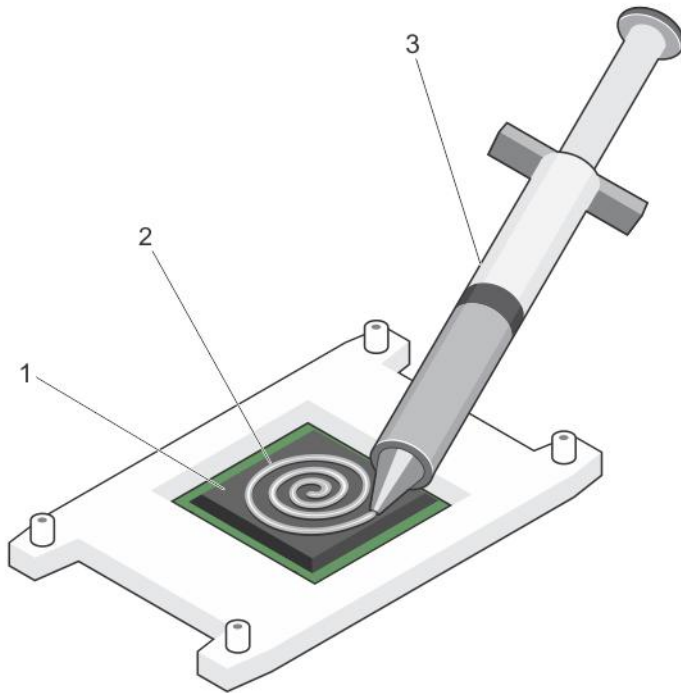


Figure 34. Applying thermal grease on the top of the processor

1. processor
2. thermal grease
3. thermal grease syringe

3. Place the heat sink onto the processor.
4. Tighten one of the four screws to secure the heat sink to the system board.
5. Tighten the screw diagonally opposite to the first screw you have tightened.

NOTE: Do not over-tighten the heat sink retention screws when installing the heat sink. To prevent over-tightening, tighten the retention screw until resistance is felt, and stop after the screw is seated. The screw tension should not be more than 6 in-lb (6.9 kg-cm).

6. Repeat the procedure for the remaining two screws.

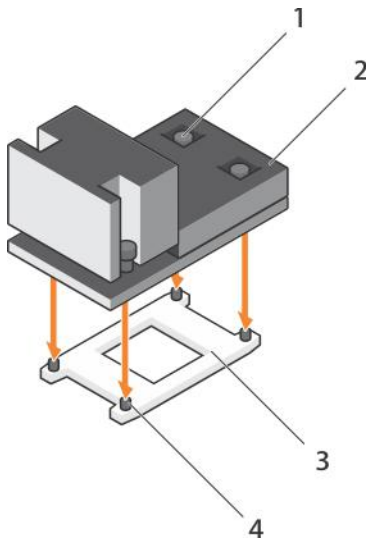


Figure 35. Installing the heat sink

- 1. retention screw (4)
- 3. processor shield

- 2. heat sink
- 4. retention screw slot (4)

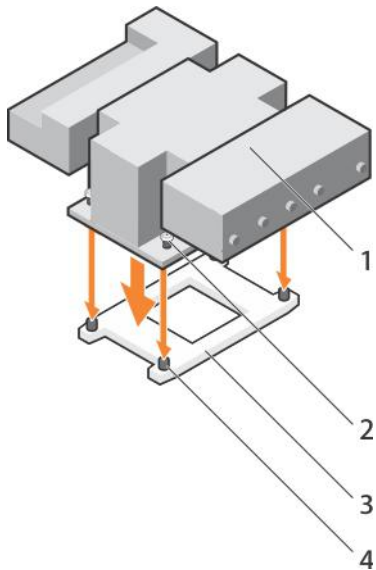


Figure 36. Installing the 165 W heat sink

- 1. heat sink
- 3. processor shield

- 2. retention screw (4)
- 4. retention screw slot (4)

Next steps

- 1. Follow the procedure listed in the After working inside your system section.
- 2. While booting, press F2 to enter System Setup and verify that the processor information matches the new system configuration.
- 3. Run the system diagnostics to verify that the new processor operates correctly.

PCIe card holder

The PCIe card holder can be extended to support a full length PCIe card. This will prevent any damage to the card that may occur due to its length.

Removing the PCIe card holder

Prerequisites

1. Follow the safety guidelines listed in the Safety instructions section.
2. Follow the procedure listed in the Before working inside your system section.
3. If installed, remove the full-length PCIe card.

CAUTION: Many repairs may only be done by a certified service technician. You should only perform troubleshooting and simple repairs as authorized in your product documentation, or as directed by the online or telephone service and support team. Damage due to servicing that is not authorized by Dell is not covered by your warranty. Read and follow the safety instructions that are shipped with your product.

CAUTION: Do not use your system without the PCIe card holder installed. The PCIe card holder is necessary to ensure proper system cooling.

Steps

1. Press the release tab and slide the card holder toward the back of the chassis to release the PCIe card holder from the chassis.
2. Lift the PCIe card holder out of the chassis.

NOTE: To ensure proper system cooling, you must replace the PCIe card holder.

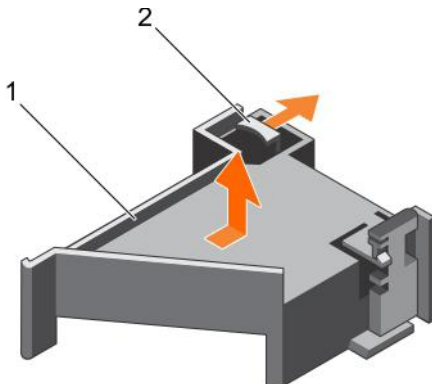


Figure 37. Removing the PCIe card holder

1. PCIe card holder

2. release tab

Next steps

1. Replace the PCIe card holder.
2. If removed, install the full-length PCIe card.
3. Follow the procedure listed in the After working inside your system section.

Related links

[Safety instructions](#)

[Before working inside your system](#)

[Removing an expansion card from expansion card riser 2 or 3](#)

[Installing the PCIe card holder](#)

[Installing an expansion card into the expansion card riser 2 or 3](#)

[After working inside your system](#)

Installing the PCIe card holder

Prerequisites

1. Follow the safety guidelines listed in the Safety instructions section.
2. Follow the procedure listed in the Before working inside your system section.

CAUTION: Many repairs may only be done by a certified service technician. You should only perform troubleshooting and simple repairs as authorized in your product documentation, or as directed by the online or telephone service and support team. Damage due to servicing that is not authorized by Dell is not covered by your warranty. Read and follow the safety instructions that are shipped with your product.

CAUTION: Do not use your system without the PCIe card holder installed. The PCIe card holder is necessary to ensure proper system cooling.

Steps

1. Align the PCIe card holder with the notches and tabs on the power supply unit cage.
2. Press the release tab and slide the PCIe card holder toward the front of the chassis until firmly seated.

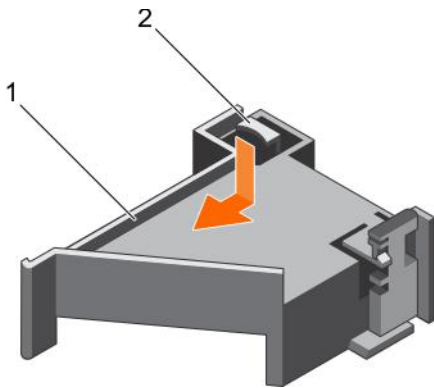


Figure 38. Installing the PCIe card holder

1. PCIe card holder

2. release tab

Next steps

1. If applicable, replace the full-length PCIe card.
2. Follow the procedure listed in the After working inside your system section.

Related links

[Safety instructions](#)

[Before working inside your system](#)

[Installing an expansion card into the expansion card riser 2 or 3](#)

[After working inside your system](#)

Opening and closing the PCIe card holder latch

Prerequisites

1. Follow the safety guidelines listed in Safety instructions section.
2. Follow the procedure listed in the Before working inside your system section.

CAUTION: Many repairs may only be done by a certified service technician. You should only perform troubleshooting and simple repairs as authorized in your product documentation, or as directed by the online or telephone service and support team. Damage due to servicing that is not authorized by Dell is not covered by your warranty. Read and follow the safety instructions that are shipped with your product.



Steps

1. To open the PCIe card holder latch, press the release tab.
2. To close the PCIe card holder latch, rotate the latch clockwise until it locks.

NOTE: Before installing a full-length PCIe card, the PCIe card holder latch must be closed. When the full-length PCIe card is installed, open the PCIe card holder latch. Before removing the full-length PCIe card, you must close the PCIe card holder latch.

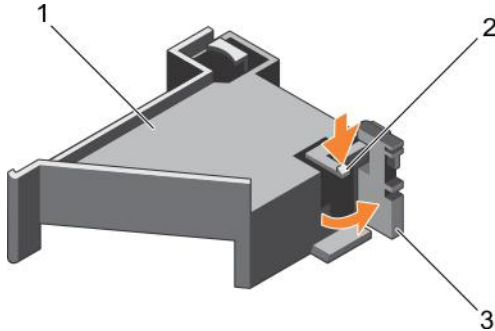


Figure 39. Opening the PCIe card holder latch

1. PCIe card holder
2. release tab
3. PCIe card holder latch

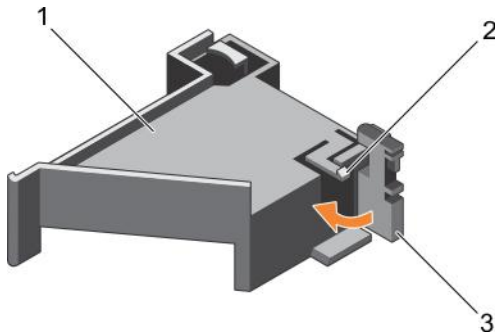


Figure 40. Closing the PCIe card holder latch

1. PCIe card holder
2. release tab
3. PCIe card holder latch

Next steps

Follow the procedure listed in the After working inside your system section.

Cable retention bracket

Cable retention bracket provides support to the installed cables. The cable retention bracket also helps to prevent the cables from moving out of place, which may result in loose connections and reduced air flow inside the server.

Removing the cable retention bracket

Prerequisites

1. Follow the safety guidelines listed in the Safety instructions section.
2. Follow the procedure listed in the Before working inside your system section.
3. If installed, remove the cooling shroud.
4. Remove the PCIe card holder.
5. Remove all cables routed through the cable retention bracket.

CAUTION: Many repairs may only be done by a certified service technician. You should only perform troubleshooting and simple repairs as authorized in your product documentation, or as directed by the online or telephone service and support team. Damage due to servicing that is not authorized by Dell is not covered by your warranty. Read and follow the safety instructions that are shipped with your product.

Steps

1. Pull the tab to release it from the notch and slide the cable retention bracket toward the front of the chassis to release it from the chassis.
2. Lift the cable retention bracket out of the chassis.

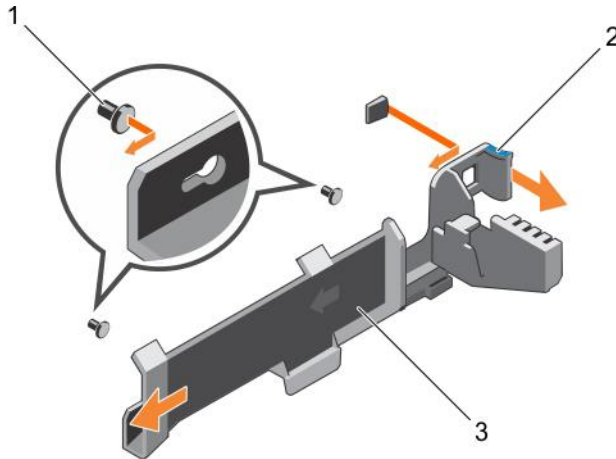


Figure 41. Removing the cable retention bracket

- | | | | |
|----|-------------------------|----|-----|
| 1. | alignment pin (2) | 2. | tab |
| 3. | cable retention bracket | | |

Next steps

1. Install the cable retention bracket and reconnect all cables routed through the cable retention bracket.
2. If removed, install the PCIe card holder.
3. If removed, install the cooling shroud.
4. Follow the procedure listed in the After working inside your system section.

Related links

[Safety instructions](#)
[Before working inside your system](#)
[Removing the cooling shroud](#)
[Installing the cable retention bracket](#)
[Installing the cooling shroud](#)
[Installing the PCIe card holder](#)
[After working inside your system](#)

Installing the cable retention bracket

Prerequisites

1. Follow the safety guidelines listed in the Safety instructions section.
2. Follow the procedure listed in the Before working inside your system section.
3. If installed, remove the cooling shroud.
4. Remove the PCIe card holder.



CAUTION: Many repairs may only be done by a certified service technician. You should only perform troubleshooting and simple repairs as authorized in your product documentation, or as directed by the online or telephone service and support team. Damage due to servicing that is not authorized by Dell is not covered by your warranty. Read and follow the safety instructions that are shipped with your product.

Steps

1. Align the cable retention bracket with the alignment pins on the chassis.
2. Slide the cable retention bracket along the chassis wall until the tab clicks and locks the keyhole slots.
3. Place all cables to be routed in the cable retention bracket.

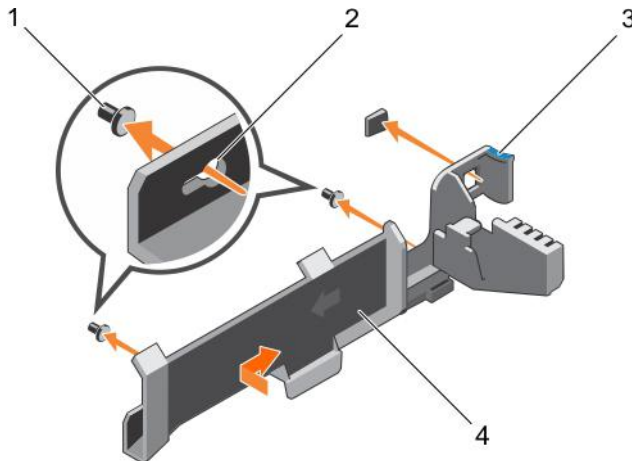


Figure 42. Installing the cable retention bracket

- | | |
|----------------------|----------------------------|
| 1. alignment pin (2) | 2. keyhole slot |
| 3. tab | 4. cable retention bracket |

Next steps

1. Install the PCIe card holder.
2. Install the cooling shroud.
3. Follow the procedure listed in the After working inside your system section.

Related links

- [Safety instructions](#)
- [Before working inside your system](#)
- [Removing the cooling shroud](#)
- [Installing the cooling shroud](#)
- [Installing the PCIe card holder](#)
- [After working inside your system](#)

Integrated storage controller card

Your system includes a dedicated expansion card slot on the system board for an integrated controller card. The integrated storage controller card provides the integrated storage subsystem for the internal hard drives in your system. The controller supports SAS and SATA hard drives and also enables you to set up the hard drives in RAID configurations. The RAID configurations depend on the version of the storage controller included with your system.

Removing the integrated storage controller card

Prerequisites

CAUTION: Many repairs may only be done by a certified service technician. You should only perform troubleshooting and simple repairs as authorized in your product documentation, or as directed by the online or telephone service and support team. Damage due to servicing that is not authorized by Dell is not covered by your warranty. Read and follow the safety instructions that are shipped with your product.

1. Follow the safety guidelines listed in the Safety instructions section.
2. Follow the procedure listed in the Before working inside your system section.
3. Remove the cooling shroud.
4. Remove the expansion card riser 1.
5. Keep the Phillips #2 screwdriver ready.

Steps

1. Loosen the screws that secure the integrated storage controller cable to the integrated storage controller card connector on the system board.
2. Lift the integrated storage controller cable away from the integrated storage controller.
3. Lift one end of the card and angle it to disengage the card from the integrated storage controller card holder on the system board.
4. Lift the card out of the system.

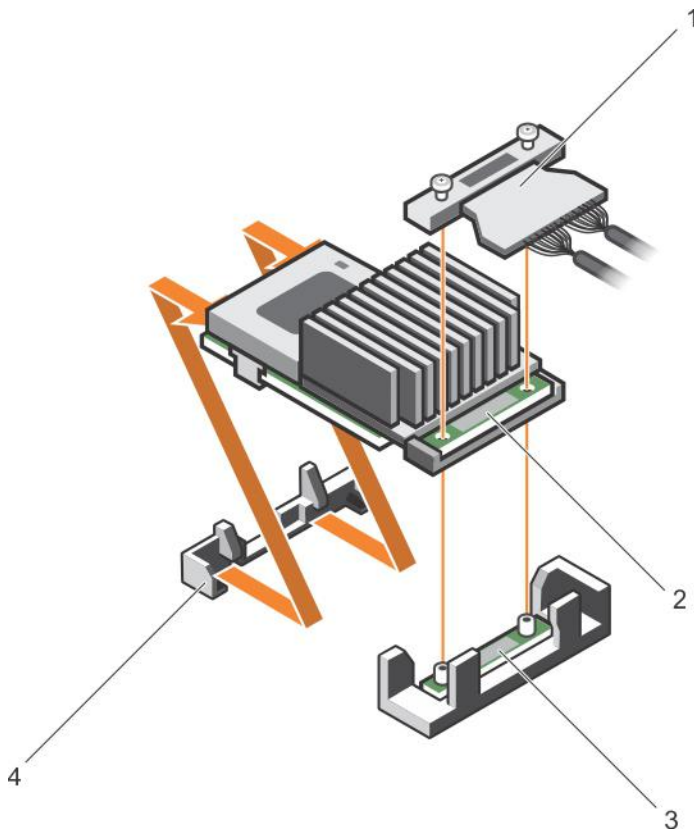


Figure 43. Removing the integrated storage controller card

- | | |
|---|--|
| 1. integrated storage controller cable | 2. integrated storage controller card |
| 3. integrated storage controller card connector on the system board | 4. integrated storage controller card holder |

Next steps

1. Install the expansion card riser 1.
2. Install the cooling shroud.
3. Follow the procedure listed in the After working inside your system section.

Related links

[Safety instructions](#)

[Before working inside your system](#)

[Removing the cooling shroud](#)

[Removing expansion card risers](#)


[Installing expansion card risers](#)

[Installing the cooling shroud](#)

[After working inside your system](#)

Installing the integrated storage controller card

Prerequisites

 **CAUTION:** Many repairs may only be done by a certified service technician. You should only perform troubleshooting and simple repairs as authorized in your product documentation, or as directed by the online or telephone service and support team. Damage due to servicing that is not authorized by Dell is not covered by your warranty. Read and follow the safety instructions that are shipped with your product.

1. Follow the safety guidelines listed in the Safety instructions section.
2. Follow the procedure listed in the Before working inside your system section.
3. Remove the cooling shroud.
4. Remove the expansion card riser 1.
5. Keep the Phillips #2 screwdriver ready.

Steps

1. Align the end of the integrated storage controller card with the controller card connector on the system board.
2. Lower the connector side of the integrated storage controller card into the integrated storage controller card connector on the system board.



NOTE: Ensure that the tabs on the system board align with the screw holes on the integrated storage controller card.

3. Align the screws on the integrated storage controller card cable with the screw holes on the connector.
4. Tighten the screws to secure the integrated storage controller card cable with the integrated storage controller card connector on the system board.

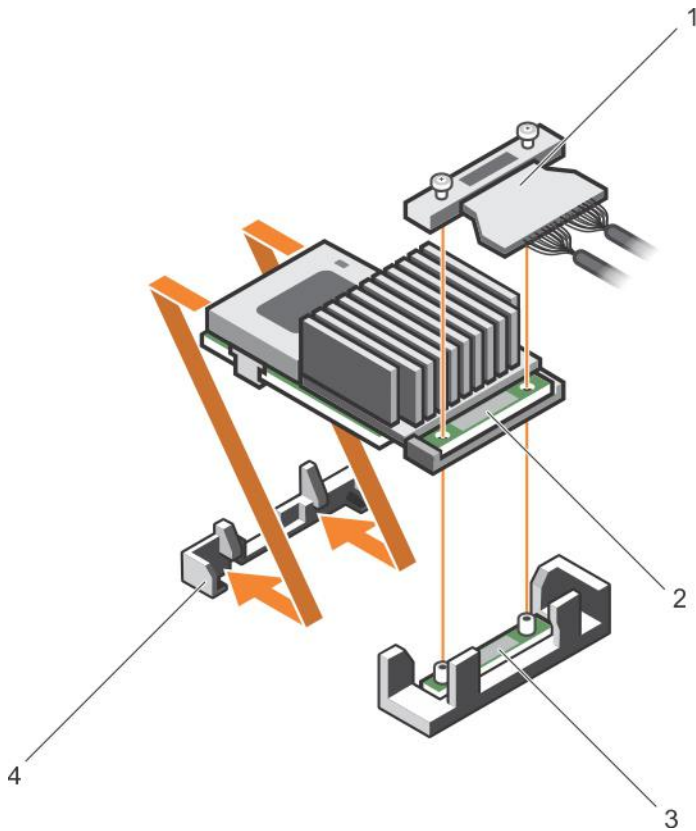


Figure 44. Installing the integrated storage controller card

- | | |
|---|--|
| 1. integrated storage controller cable | 2. integrated storage controller card |
| 3. integrated storage controller card connector on the system board | 4. integrated storage controller card holder |

Next steps

1. Install the expansion card riser 1.
2. Install the cooling shroud.
3. Follow the procedure listed in the After working inside your system section.

Related links

- [Safety instructions](#)
- [Before working inside your system](#)
- [Removing the cooling shroud](#)
- [Removing expansion card risers](#)
- [Installing expansion card risers](#)
- [Installing the cooling shroud](#)
- [After working inside your system](#)

Expansion cards and expansion card riser

An expansion card in the computer is an add-on card that can be inserted into an expansion slot on the computer system board or riser card to add enhanced functionality to the system through the expansion bus.

NOTE: A System Event Log (SEL) event is logged if an expansion card riser is unsupported or missing. It does not prevent your system from turning on and no BIOS POST message or F1/F2 pause is displayed.



Expansion card installation guidelines

Depending on your system configuration, the following PCI Express (PCIe) generation 3 expansion cards are supported:

Table 40. Supported expansion cards

| PCIe slot | Riser | Processor connection | Height | Length | Link width | Slot width |
|-----------|---------------|----------------------|-------------|-------------|------------|------------|
| 1 | 1 | Processor 2 | Low Profile | Half Length | x8 | x16 |
| 2 | 1 | Processor 2 | Low Profile | Half Length | x8 | x16 |
| 3 | 1 | Processor 2 | Low Profile | Half Length | x8 | x16 |
| 4 | 2 | Processor 2 | Full Height | Full Length | x16 | x16 |
| 5 | 2 | Processor 1 | Full Height | Full Length | x8 | x16 |
| 6 | 3 (default) | Processor 1 | Full Height | Full Length | x8 | x16 |
| 6 | 3 (alternate) | Processor 1 | Full Height | Full Length | x16 | x16 |
| 7 | 3 (default) | Processor 1 | Full Height | Full Length | x8 | x16 |

 **NOTE: To use PCIe slots 1 through 4 on the risers 1 and 2, both the processors must be installed.**

 **NOTE: The expansion card slots are not hot-swappable.**

The following table provides guidelines for installing expansion cards to ensure proper cooling and mechanical fit. The expansion cards with the highest priority should be installed first using the slot priority indicated. All the other expansion cards should be installed in the card priority and slot priority order.

Table 41. Expansion card installation order


| Card priority | Card type | Slot priority | Max allowed |
|---------------|---|---------------|-------------|
| 1 | GPU (double width) | 6, 4 | 2 |
| | GPU (single width) | 6, 4, 7, 5 | 4 |
| 2 | RAID H830 | 7, 6, 4, 5 | 2 |
| | RAID H830 (low profile) | 3, 2 | 2 |
| | 100G Intel Omni-Path Architecture Host (OPA) Channel Adapters (HCA) | 4, 6 | 2 |
| 3 | 14 Gb InfiniBand, Fourteen Data Rate (FDR) HCA | 3, 2, 1 | 3 |
| | 40 Gb NICs (full height) | 5, 7, 4, 6 | 4 |
| | 40 Gb NICs (low profile) | 3, 2, 1 | 3 |
| | 25 Gb NICs (full height) | 4, 6, 5 | 3 |
| 4 | 25 Gb NICs (low profile) | 3, 2, 1 | 3 |
| | FC16 HBA (full height) | 5, 7, 4, 6 | 4 |
| 5 | FC16 HBA (low profile) | 2, 3, 1 | 3 |
| | 10 Gb NICs (full height) | 5, 7, 4, 6 | 4 |
| 6 | 10 Gb NICs (low profile) | 2, 3, 1 | 3 |
| | FC8 HBA (full height) | 5, 7, 4, 6 | 4 |
| | FC8 HBA (low profile) | 2, 3, 1 | 3 |

| Card priority | Card type | Slot priority | Max allowed |
|---------------|-------------------------|-----------------|-------------|
| 7 | 1 Gb NICs (full height) | 5, 7, 4, 6 | 4 |
| | 1 Gb NICs (low profile) | 2, 3, 1 | 3 |
| 8 | 12 Gb SAS (low profile) | 3, 2, 1 | 2 |
| | 12 Gb SAS (full height) | 6, 4, 5, 7 | 2 |
| 9 | Integrated RAID | integrated slot | 1 |
| 10 | NDC | integrated slot | 1 |

 **NOTE:** Ensure that the 100 G OPA x16 card is installed in slot 6 (x16 PCIe) on the alternate riser 3.

Removing an expansion card from expansion card riser 2 or 3

Prerequisites


 **CAUTION:** Many repairs may only be done by a certified service technician. You should only perform troubleshooting and simple repairs as authorized in your product documentation, or as directed by the online or telephone service and support team. Damage due to servicing that is not authorized by Dell is not covered by your warranty. Read and follow the safety instructions that are shipped with your product.

1. Follow the safety guidelines listed in the Safety instructions section.
2. Follow the procedure listed in the Before working inside your system section.
3. When removing a card from riser 3, ensure that the PCIe holder latch is closed.

 **NOTE:** The procedure for installing and removing a full length PCIe card is similar to the procedure for removing and installing a GPU card.

Steps

1. Disconnect any cables connected to the expansion card.
2. Lift the expansion card latch out of the guide slot.
3. Hold the expansion card by its edges, and remove it from the expansion card connector.
4. If you are removing the card permanently, install a metal filler bracket over the empty expansion slot opening and close the expansion card latch.

 **NOTE:** You must install a filler bracket over an empty expansion card slot to maintain Federal Communications Commission (FCC) certification of the system. The brackets also keep dust and dirt out of the system and aid in proper cooling and airflow inside the system.

5. Install the expansion card latch into the slot.
6. Close the expansion card locking tabs.

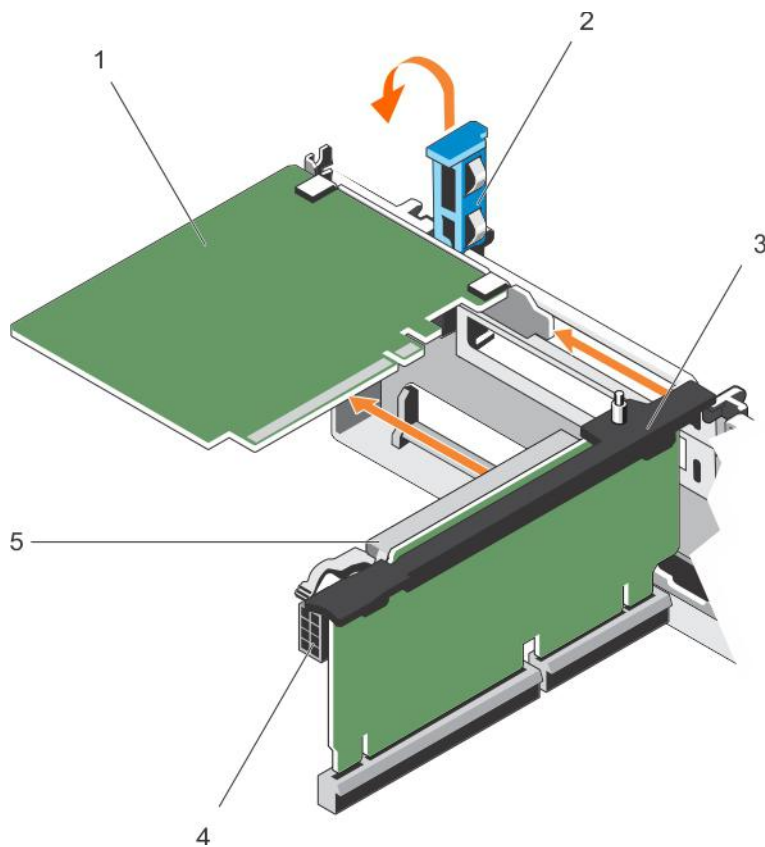


Figure 45. Removing an expansion card from expansion card riser 2 or 3

- | | |
|-----------------------------|------------------------------------|
| 1. expansion card | 2. expansion card latch |
| 3. expansion card riser | 4. power connector (for GPU cards) |
| 5. expansion card connector | |

Next steps

1. Install an expansion card into the expansion card riser.
2. Follow the procedure listed in the After working inside your system section.

Related links

- [Safety instructions](#)
- [Before working inside your system](#)
- [After working inside your system](#)

Installing an expansion card into the expansion card riser 2 or 3

Prerequisites

1. Follow the safety guidelines listed in the Safety instructions section.
2. Follow the procedure listed in the Before working inside your system section.


⚠ CAUTION: Many repairs may only be done by a certified service technician. You should only perform troubleshooting and simple repairs as authorized in your product documentation, or as directed by the online or telephone service and support team. Damage due to servicing that is not authorized by Dell is not covered by your warranty. Read and follow the safety instructions that are shipped with your product.

Steps

1. Unpack the expansion card and prepare it for installation.

For instructions, see the documentation accompanying the card.

2. Lift the expansion card latch and remove the filler bracket.
3. Holding the card by its edges, position the card so that the connector on the expansion card aligns with the expansion card connector on the riser.
4. Insert the card-edge connector firmly into the expansion card connector until the card is fully seated.
5. Press the touch points to open the expansion card locking tabs.
6. Close the expansion card latch.
7. If applicable, connect the cables to the expansion card.

 **NOTE:** When installing a GPU card on riser 2 or riser 3 (default), connect the GPU card power cable to the power connector on the riser.

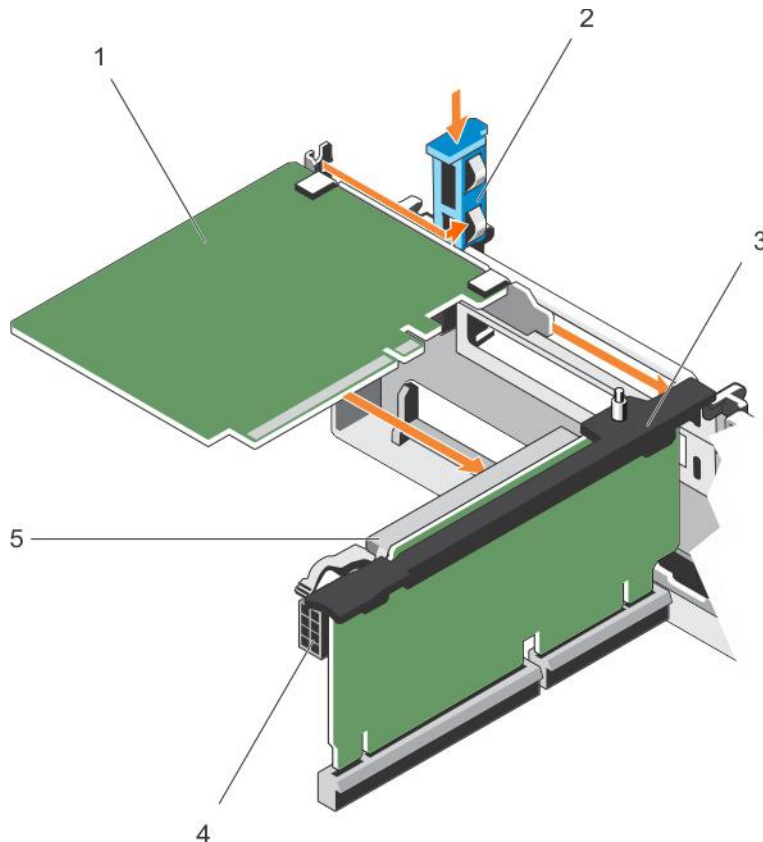


Figure 46. Installing an expansion card into the expansion card riser 2 or 3

- | | |
|-----------------------------|------------------------------------|
| 1. expansion card | 2. expansion card latch |
| 3. expansion card riser | 4. power connector (for GPU cards) |
| 5. expansion card connector | |

Next steps

1. Follow the procedure listed in the After working inside your system section.
2. Install any device drivers required for the card as described in the documentation for the card.

Related links

- [Safety instructions](#)
- [Before working inside your system](#)
- [After working inside your system](#)



Removing an expansion card from the expansion card riser 1

Prerequisites

CAUTION: Many repairs may only be done by a certified service technician. You should only perform troubleshooting and simple repairs as authorized in your product documentation, or as directed by the online or telephone service and support team. Damage due to servicing that is not authorized by Dell is not covered by your warranty. Read and follow the safety instructions that are shipped with your product.

1. Follow the safety guidelines listed in the Safety instructions section.
2. Follow the procedure listed in the Before working inside your system section.
3. Disconnect any cables connected to the expansion card.
4. Remove the expansion card riser.

NOTE: The expansion card riser 1 can be used only when both the processors are installed.

Steps

1. Press tab A and rotate the latch clockwise.
2. Press tab B and rotate the latch downward.
3. Remove the expansion card from the expansion card riser 1.
4. If you are removing the card permanently, install a metal filler bracket over the empty expansion slot opening, and then close the expansion card latch.

NOTE: You must install a filler bracket over an empty expansion card slot to maintain Federal Communications Commission (FCC) certification of the system. The brackets also keep dust and dirt out of the system and aid in proper cooling and airflow inside the system.

5. Close the latches of tab A and tab B.

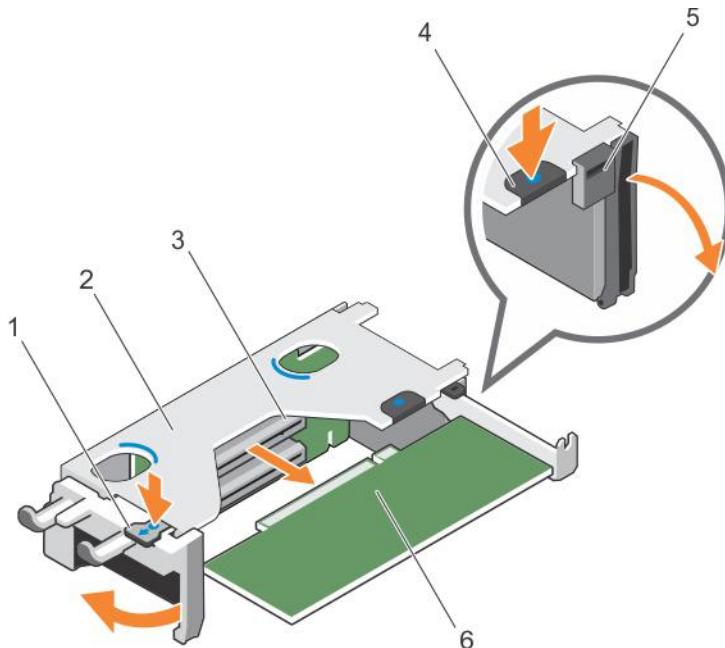


Figure 47. Removing an expansion card from expansion card riser 1

- | | |
|-----------------------------|--------------------------------|
| 1. tab A | 2. expansion card riser 1 cage |
| 3. expansion card connector | 4. tab B |
| 5. latch | 6. expansion card |

Next steps

1. Install the expansion card.
2. Install the expansion card riser.
3. Follow the procedure listed in the After working inside your system section.

Related links

[Safety instructions](#)

[Before working inside your system](#)

[Removing expansion card risers](#)


[Installing expansion card risers](#)

[After working inside your system](#)

Installing an expansion card into the expansion card riser 1

Prerequisites

1. Follow the safety guidelines listed in the Safety instructions section.
2. Follow the procedure listed in the Before working inside your system section.
3. Remove the expansion card riser.

 **CAUTION: Many repairs may only be done by a certified service technician. You should only perform troubleshooting and simple repairs as authorized in your product documentation, or as directed by the online or telephone service and support team. Damage due to servicing that is not authorized by Dell is not covered by your warranty. Read and follow the safety instructions that are shipped with your product.**

 **NOTE: The expansion card riser 1 can be used only when both the processors are installed.**

Steps

1. Unpack the expansion card and prepare it for installation.
For instructions, see the documentation accompanying the card.
2. Press tab A and rotate the latch clockwise.
3. Press tab B and rotate the latch down.
4. Holding the card by its edges, position the card so that the card-edge connector aligns with the expansion card connector.
5. Insert the card-edge connector firmly into the expansion card connector until the card is fully seated.
6. Close the latches of tab A and tab B.

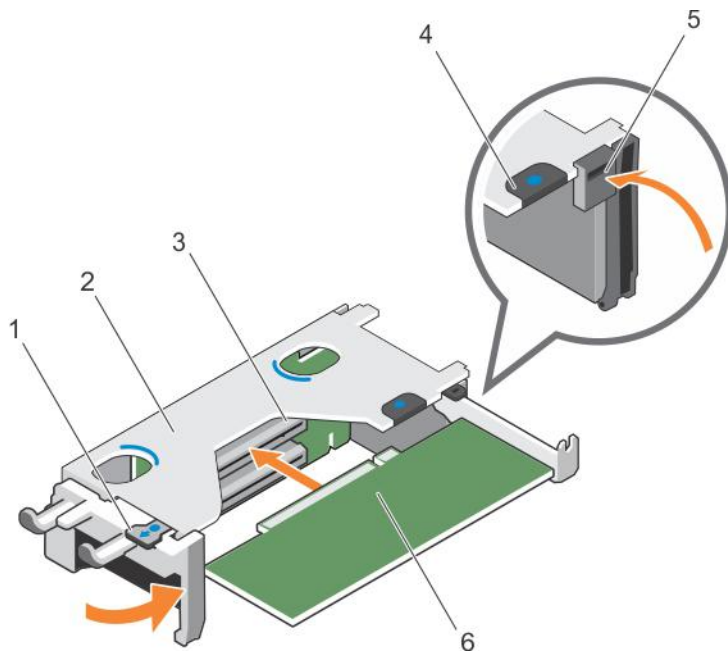


Figure 48. Installing an expansion card into the expansion card riser 1

- | | |
|-----------------------------|--------------------------------|
| 1. tab A | 2. expansion card riser 1 cage |
| 3. expansion card connector | 4. tab B |
| 5. latch | 6. expansion card |

Next steps

1. Install the expansion card riser.
2. If applicable, connect any cables to the expansion card.
3. Follow the procedure listed in the After working inside your system section.
4. Install any device drivers required for the card as described in the documentation for the card.

Related links

- [Safety instructions](#)
- [Before working inside your system](#)
- [Removing expansion card risers](#)
- [Installing expansion card risers](#)
- [After working inside your system](#)

Removing the riser 1 blank

Prerequisites

CAUTION: Many repairs may only be done by a certified service technician. You should only perform troubleshooting and simple repairs as authorized in your product documentation, or as directed by the online or telephone service and support team. Damage due to servicing that is not authorized by Dell is not covered by your warranty. Read and follow the safety instructions that are shipped with your product.

1. Follow the safety guidelines listed in the Safety instructions section.
2. Follow the procedure listed in the Before working inside your system section.
3. Remove the expansion card riser.

Steps

Press the tabs on the riser 1 blank and push the riser 1 blank out of the chassis.

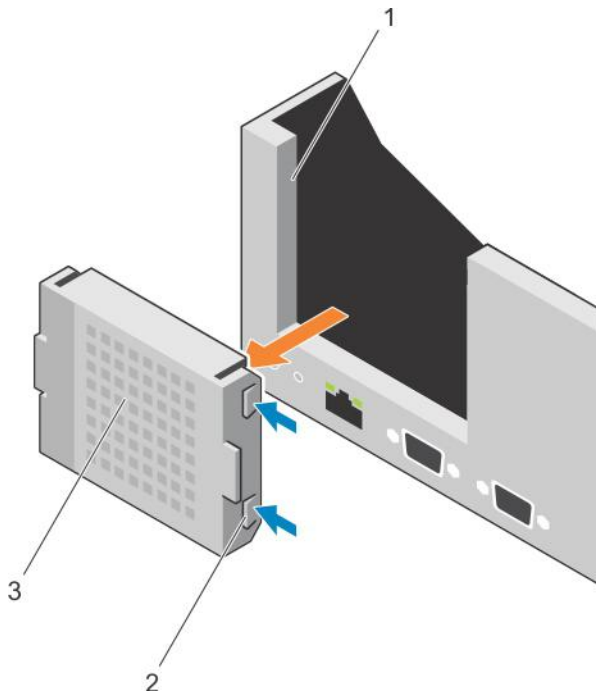


Figure 49. Removing the riser 1 blank

1. slot on the chassis
2. tab (2)
3. riser 1 blank

Next steps

1. Install the expansion card risers.
2. Follow the procedure listed in the After working inside your system section.

Related links

- [Safety instructions](#)
- [Before working inside your system](#)
- [Removing expansion card risers](#)
- [Installing expansion card risers](#)
- [After working inside your system](#)

Installing the riser 1 blank

Prerequisites

CAUTION: Many repairs may only be done by a certified service technician. You should only perform troubleshooting and simple repairs as authorized in your product documentation, or as directed by the online or telephone service and support team. Damage due to servicing that is not authorized by Dell is not covered by your warranty. Read and follow the safety instructions that are shipped with your product.

Steps

To install the riser 1 blank, align the blank with the slot on the chassis and insert it into the chassis until it clicks into place.



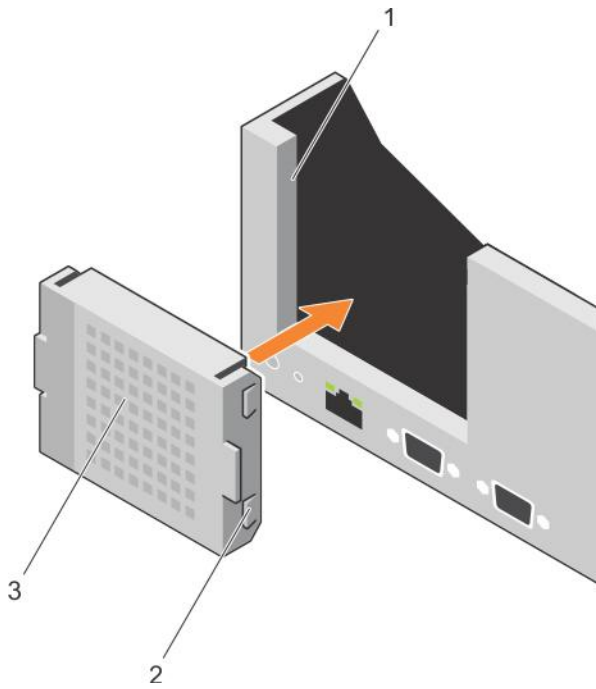


Figure 50. Installing the riser 1 blank

- | | |
|--|--|
| <ol style="list-style-type: none"> 1. slot on the chassis 3. riser 1 blank | <ol style="list-style-type: none"> 2. tab (2) |
|--|--|

Next steps

1. Install the expansion card risers.
2. Follow the procedure listed in the After working inside your system section.

Related links

- [Safety instructions](#)
- [Before working inside your system](#)
- [Removing expansion card risers](#)
- [Installing expansion card risers](#)
- [After working inside your system](#)

Removing expansion card risers

Prerequisites

CAUTION: Many repairs may only be done by a certified service technician. You should only perform troubleshooting and simple repairs as authorized in your product documentation, or as directed by the online or telephone service and support team. Damage due to servicing that is not authorized by Dell is not covered by your warranty. Read and follow the safety instructions that are shipped with your product.

1. Follow the safety guidelines listed in the Safety instructions section.
2. Follow the procedure listed in the Before working inside your system section.
3. If installed, remove any expansion card installed on risers 2 and 3.

NOTE: The expansion card riser 1 can be used only when both the processors are installed.

Steps

1. Holding the slots on the expansion card riser, lift the riser from the riser connector on the system board.
2. To remove expansion card risers 2 and 3, hold the edges of the expansion card riser, and lift the riser from the riser connector on the system board.

NOTE: To ensure proper system cooling, the riser 1 blank must be installed in the riser 1 slot. Remove the riser 1 blank only if you are installing riser 1.

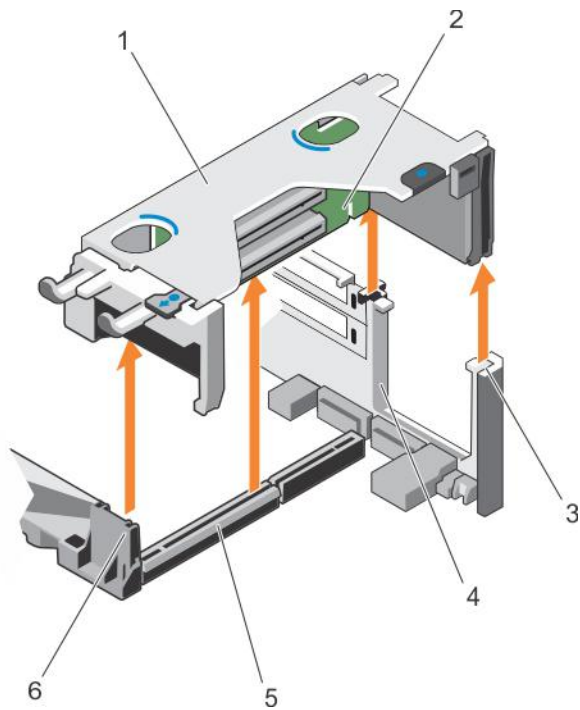


Figure 51. Removing the expansion card riser 1

- | | |
|-------------------------------------|----------------------------|
| 1. expansion card riser 1 cage | 2. expansion card riser 1 |
| 3. riser guide-back (right) | 4. riser guide-back (left) |
| 5. expansion card riser 1 connector | 6. riser guide-front |

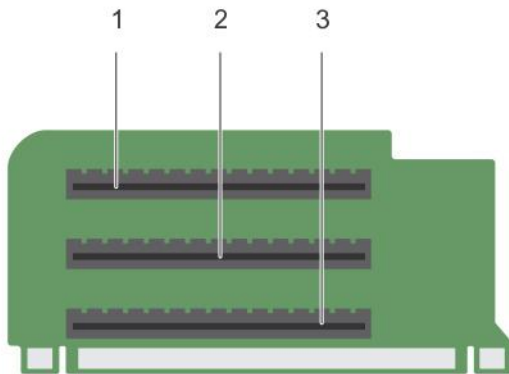


Figure 52. Identifying connectors on the expansion card riser 1

- | | |
|--------------------------|--------------------------|
| 1. expansion card slot 1 | 2. expansion card slot 2 |
| 3. expansion card slot 3 | |

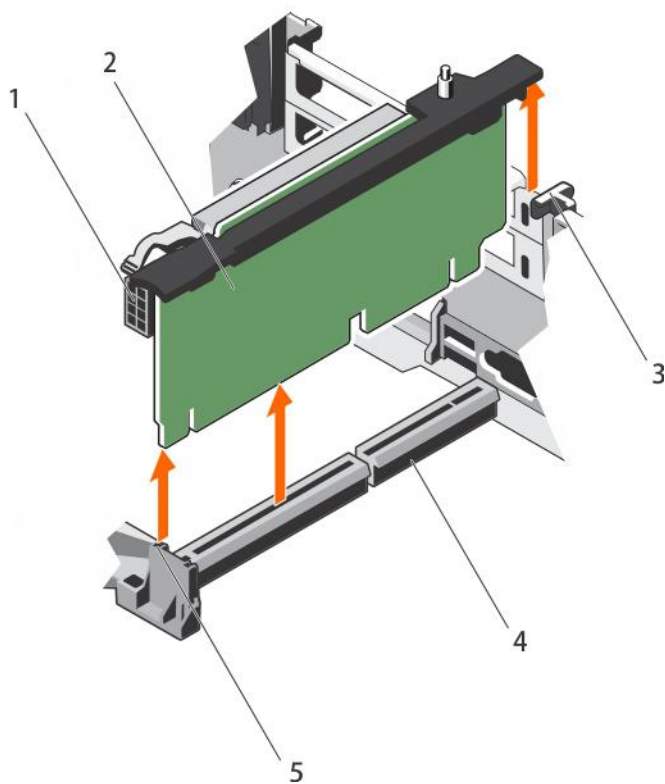


Figure 53. Removing the expansion card riser 2

- | | |
|------------------------------------|-------------------------------------|
| 1. power connector (for GPU cards) | 2. expansion card riser 2 |
| 3. riser guide-back | 4. expansion card riser 2 connector |
| 5. riser guide-front | |

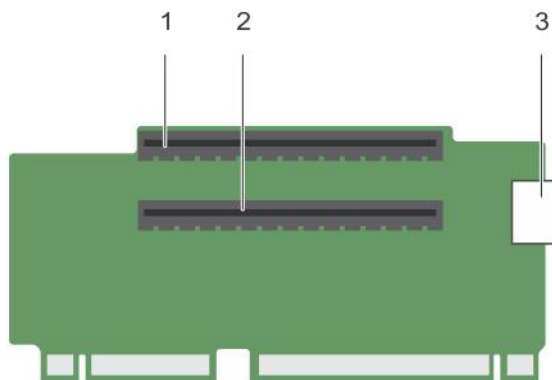


Figure 54. Identifying connectors on the expansion card riser 2

- | | |
|------------------------------------|--------------------------|
| 1. expansion card slot 4 | 2. expansion card slot 5 |
| 3. power connector (for GPU cards) | |

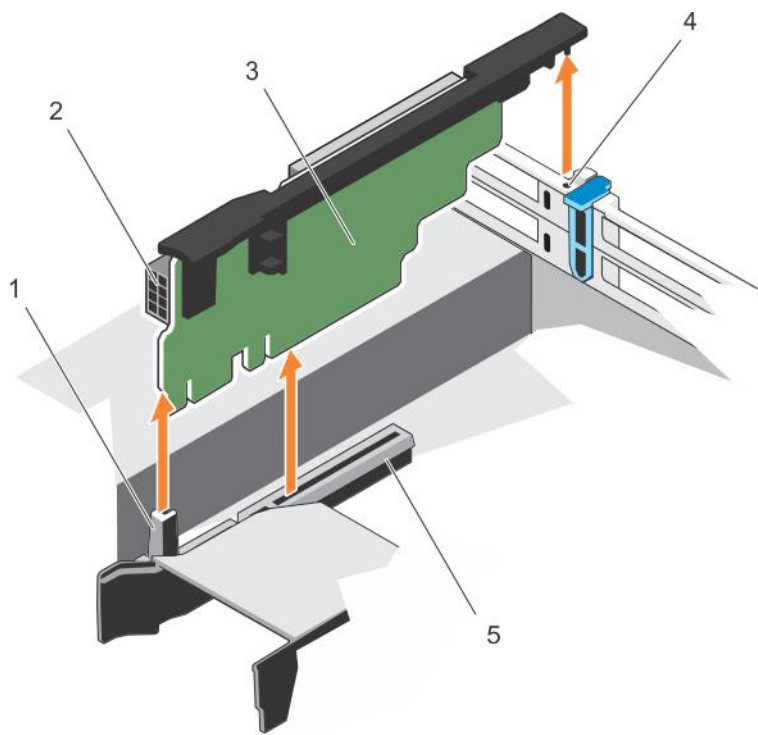


Figure 55. Removing the expansion card riser 3

- | | |
|-------------------------------------|------------------------------------|
| 1. riser guide-front | 2. power connector (for GPU cards) |
| 3. expansion card riser 3 | 4. riser guide-back |
| 5. expansion card riser 3 connector | |

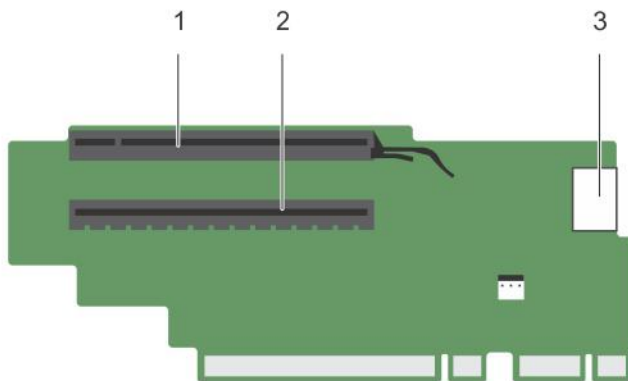


Figure 56. Identifying connectors on the expansion card riser 3 (default)

- | | |
|------------------------------------|--------------------------|
| 1. expansion card slot 6 | 2. expansion card slot 7 |
| 3. power connector (for GPU cards) | |

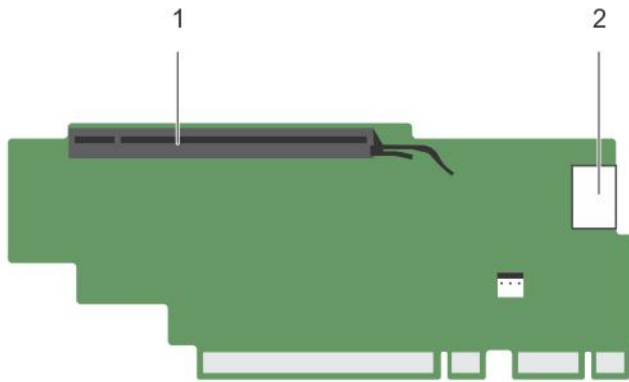


Figure 57. Identifying connectors on the expansion card riser 3 (alternate)

1. expansion card slot 6
2. power connector (for GPU cards)

Next steps

1. If removed, install an expansion card on the riser.
2. If applicable, replace the expansion card riser.
3. Follow the procedure listed in the After working inside your system section.

Related links

[Safety instructions](#)

[Before working inside your system](#)

[Removing an expansion card from expansion card riser 2 or 3](#)

[Removing an expansion card from the expansion card riser 1](#)

[Installing an expansion card into the expansion card riser 1](#)

[Installing an expansion card into the expansion card riser 2 or 3](#)

[After working inside your system](#)

Installing expansion card risers

Prerequisites

1. Follow the safety guidelines listed in the Safety instructions section.
2. Follow the procedure listed in the Before working inside your system section.
3. If removed, install the expansion card(s) into the expansion card riser 1.

CAUTION: Many repairs may only be done by a certified service technician. You should only perform troubleshooting and simple repairs as authorized in your product documentation, or as directed by the online or telephone service and support team. Damage due to servicing that is not authorized by Dell is not covered by your warranty. Read and follow the safety instructions that are shipped with your product.

Steps

1. Align the expansion card riser with the connectors and the riser guides on the system board.
2. Lower the expansion card riser into place until the expansion card riser is fully seated in the connector.

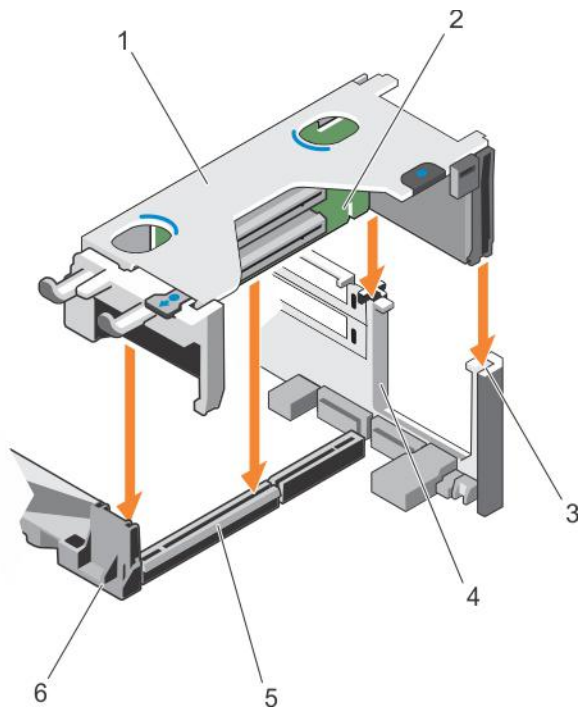


Figure 58. Installing the expansion card riser 1

- | | |
|-------------------------------------|----------------------------|
| 1. expansion card riser 1 cage | 2. expansion card riser 1 |
| 3. riser guide-back (right) | 4. riser guide-back (left) |
| 5. expansion card riser 1 connector | 6. riser guide-front |

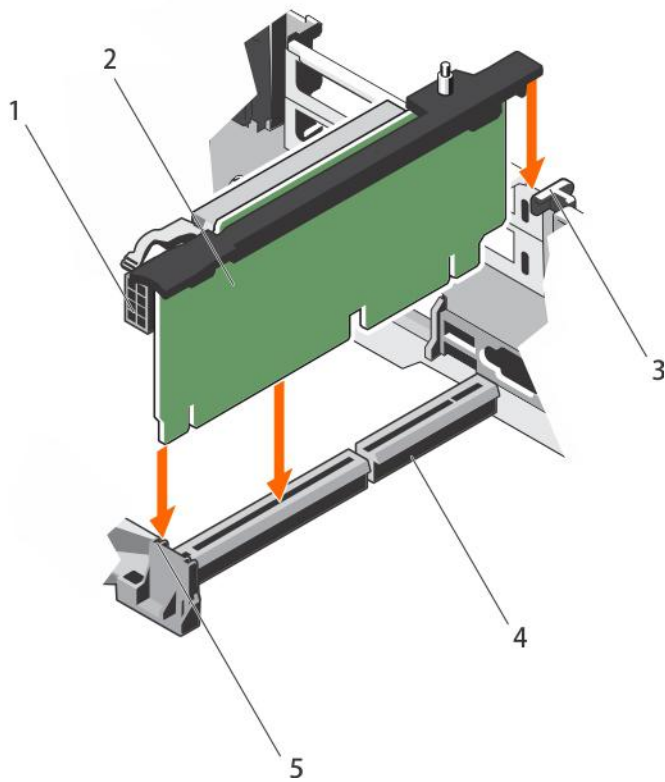


Figure 59. Installing the expansion card riser 2

1. power connector (for GPU cards)
2. expansion card riser 2
3. riser guide-back
4. expansion card riser 2 connector
5. riser guide-front

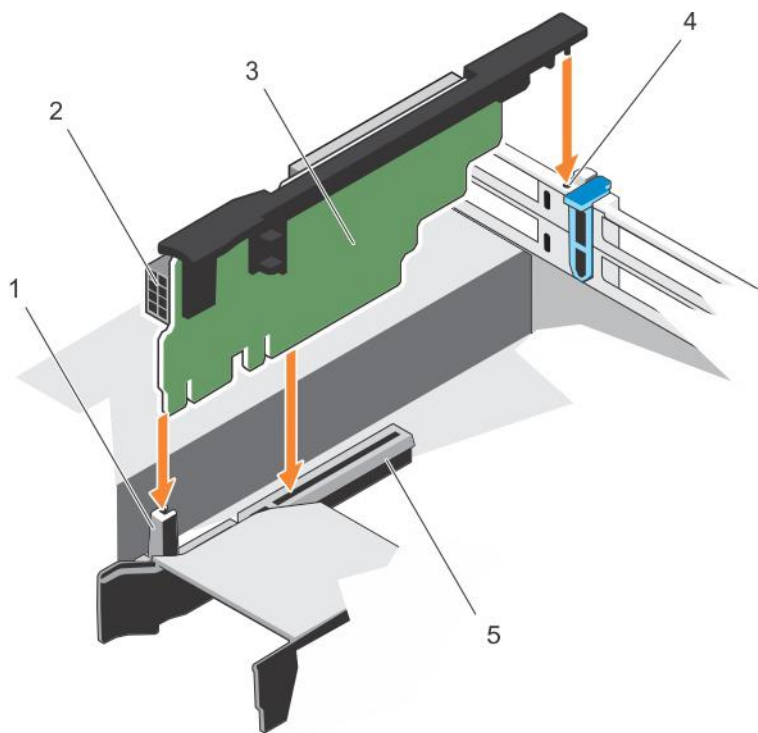


Figure 60. Installing the expansion card riser 3

- | | |
|-------------------------------------|------------------------------------|
| 1. riser guide-front | 2. power connector (for GPU cards) |
| 3. expansion card riser 3 | 4. riser guide-back |
| 5. expansion card riser 3 connector | |

Next steps

1. Install the expansion card(s) into the expansion card risers 2 or 3.
2. Follow the procedure listed in the After working inside your system section.
3. Install any device drivers required for the card as described in the documentation for the card.

GPU card installation guidelines

- Ensure that both the processors are installed.
- The processor must be of 135 W or less.
- The processor must use a GPU kit low-profile heat sink.
- Due to the high power consumption of GPUs, the ambient system inlet temperature is restricted to 30°C to ensure adequate system cooling when one or more GPU cards are installed.
- Ensure that the GPU enablement kit is available.

The GPU enablement kit includes:

- Low-profile heat sinks
- Power cables for the GPU cards
- Filler brackets with closeout EMI shield for unoccupied PCIe slots
- All GPU cards must be of the same type and model.
- You can install up to two double-wide GPU cards.

NOTE: Two double-wide GPU cards configuration requires optional riser 3.

- You can install up to four single-wide GPU cards.
- Ensure that your system uses the redundant 1100 W power supplies.



NOTE: When using the system with the Nvidia K80 GPU card, ensure that you install both PSUs with a minimum of 1100 W each and set the PSU configuration to non-redundant mode.

Removing the GPU card

Prerequisites

1. Follow the safety guidelines listed in Safety instructions section.
2. Follow the procedure listed in the Before working inside your system section.

Steps

1. Lift the expansion card latch.
2. Close the expansion card locking tabs on the cooling shroud and the risers.
3. Hold the GPU card by its edges and slide out the GPU card at an angle to release it from the connector on the riser card.
4. Disconnect the cable from the GPU card.
5. If you are removing the card permanently, install a metal filler bracket over the empty slot opening and close the expansion card locking tabs.

NOTE: You must install a filler bracket over an empty expansion card slot to maintain Federal Communications Commission (FCC) certification of the system. The brackets also keep dust and dirt out of the system and aid in proper cooling and airflow inside the system.

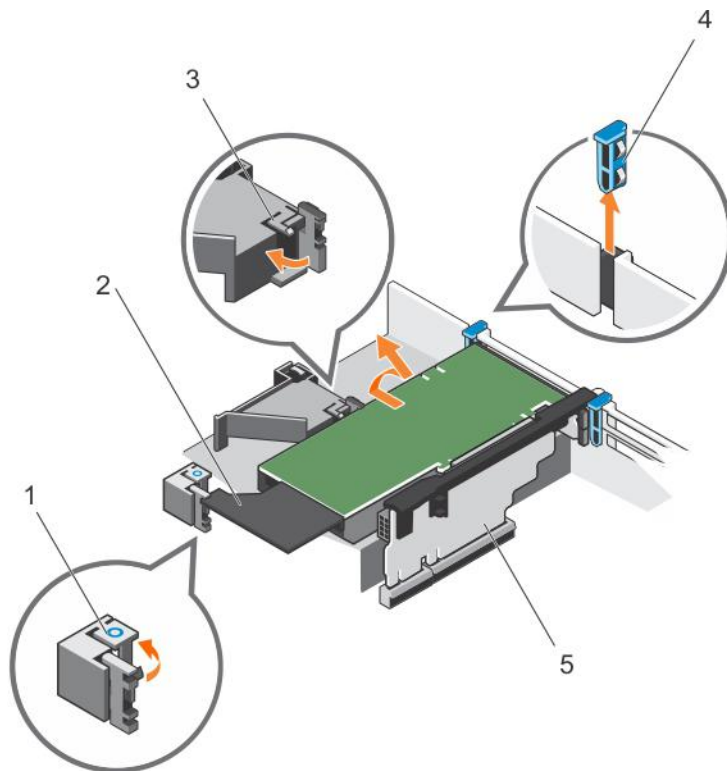


Figure 61. Removing the GPU card


- | | |
|-----------------------------------|-------------------------|
| 1. expansion card locking tab (3) | 2. GPU card |
| 3. PCIe card holder latch | 4. expansion card latch |
| 5. expansion card riser 3 | |

Next steps

Follow the procedure listed in the After working inside your system section.

Installing a GPU card

Prerequisites

 **CAUTION: Many repairs may only be done by a certified service technician. You should only perform troubleshooting and simple repairs as authorized in your product documentation, or as directed by the online or telephone service and support team. Damage due to servicing that is not authorized by Dell is not covered by your warranty. Read and follow the safety instructions that are shipped with your product.**

1. Follow the safety guidelines listed in Safety instructions section.
2. Follow the procedure listed in the Before working inside your system section.
3. Remove the cooling shroud.
4. Remove the heat sinks.

Steps

1. Unpack the GPU cards and the GPU enablement kit.
2. Install the heat sinks from the kit and reinstall the cooling shroud.
3. Close the expansion card locking tab on the cooling shroud and riser.
4. Lift the expansion card latch.
5. Remove the filler brackets for the single- or double-wide GPU cards.
6. Replace the remaining filler brackets with the brackets from the GPU kit.
7. Align the GPU card connector with the slot on the riser.
8. Insert the GPU card into the riser slot until it is fully seated.
9. Locate the GPU power connectors on the cable and plug them to the six-pin and eight-pin connectors on the GPU card.

 **NOTE: Ensure that the GPU card is installed correctly into the GPU card lock.**

10. Press down on the GPU card lock to secure the card in position.
11. Ensure that the GPU card is seated into the PCIe card holder latch.
12. Press the touch point to open the PCIe card holder latch and/or the expansion card locking tabs.
13. Connect the GPU power cable to the riser.
14. Close the expansion card latch/latches.

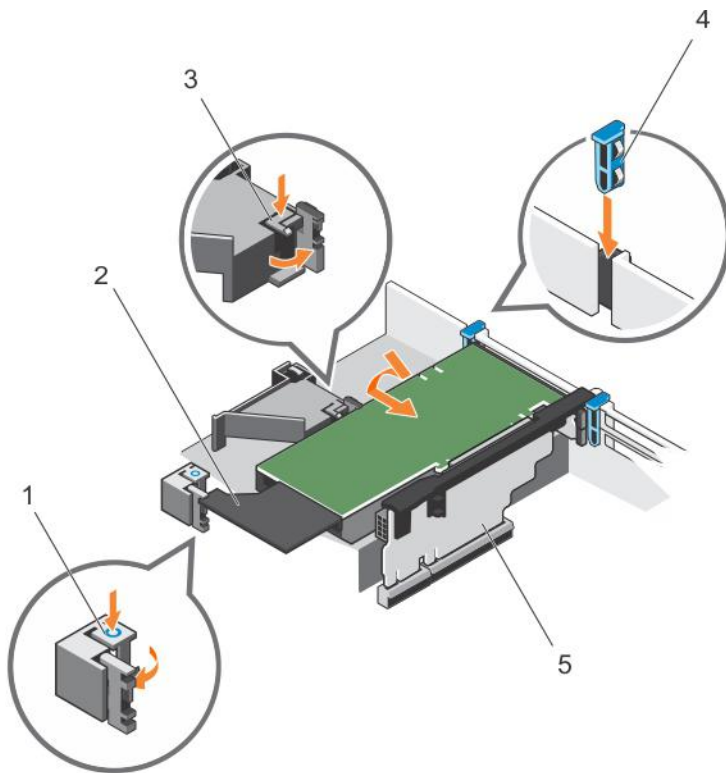


Figure 62. Installing the GPU card

- | | |
|-----------------------------------|-------------------------|
| 1. expansion card locking tab (3) | 2. GPU card |
| 3. PCIe card holder latch | 4. expansion card latch |
| 5. expansion card riser 3 | |

Next steps

Follow the procedure listed in the After working inside your system section.

Internal dual SD module (optional)

The Internal Dual SD module (IDSDM) provides you with a redundant SD card solution. You can configure the IDSDM for storage or as the OS boot partition. The IDSDM card offers the following features:

- Dual card operation — maintains a mirrored configuration by using SD cards in both the slots and provides redundancy.

NOTE: When the Redundancy option is set to Mirror Mode in the Integrated Devices screen of System Setup, the information is replicated from one SD card to another.


- Single card operation — single card operation is supported, but without redundancy.

Removing an internal SD card

Prerequisites

1. Follow the safety guidelines listed in the Safety instructions section.
2. Follow the procedure listed in the Before working inside your system section.

CAUTION: Many repairs may only be done by a certified service technician. You should only perform troubleshooting and simple repairs as authorized in your product documentation, or as directed by the online or telephone service and support team. Damage due to servicing that is not authorized by Dell is not covered by your warranty. Read and follow the safety instructions that are shipped with your product.

 **NOTE:** When the Redundancy option is set to Mirror Mode in the Integrated Devices screen of System Setup, the information is replicated from one SD card to another.

 **NOTE:** Temporarily label each SD card with its corresponding slot number before removal. Re-install the SD card(s) into the corresponding slots.

Steps

Locate the SD card slot on the internal dual SD module and press the card to release it from the slot.

Next steps

Follow the procedure listed in the After working inside your system section.

Related links

[Safety instructions](#)


[Before working inside your system](#)

[After working inside your system](#)

Installing an internal SD card

Prerequisites

1. Follow the safety guidelines listed in the Safety instructions section.
2. Follow the procedure listed in the Before working inside your system section.

 **CAUTION:** Many repairs may only be done by a certified service technician. You should only perform troubleshooting and simple repairs as authorized in your product documentation, or as directed by the online or telephone service and support team. Damage due to servicing that is not authorized by Dell is not covered by your warranty. Read and follow the safety instructions that are shipped with your product.

 **NOTE:** To use an SD card with your system, ensure that the Internal SD Card Port is enabled in System Setup.

 **NOTE:** Temporarily label each SD card with its corresponding slot number before removal. Re-install the SD card(s) into the corresponding slots.

Steps

1. Locate the SD card connector on the internal dual SD module. Orient the SD card appropriately and insert the contact-pin end of the card into the slot.

 **NOTE:** The slot is keyed to ensure correct insertion of the card.

2. Press the card into the card slot to lock it into place.

Next steps

Follow the procedure listed in the After working inside your system section.

Related links


[Safety instructions](#)

[Before working inside your system](#)

[After working inside your system](#)

Removing the optional internal dual SD module

Prerequisites

 **CAUTION:** Many repairs may only be done by a certified service technician. You should only perform troubleshooting and simple repairs as authorized in your product documentation, or as directed by the online or telephone service and support team. Damage due to servicing that is not authorized by Dell is not covered by your warranty. Read and follow the safety instructions that are shipped with your product.

1. Follow the safety guidelines listed in the Safety instructions section.
2. Follow the procedure listed in the Before working inside your system section.



- If installed, remove the SD cards.

NOTE: Temporarily label each SD card with its corresponding slot number before removal. Reinstall the SD cards into the corresponding slots.

Steps

- Locate the internal dual SD module (IDSDM) on the system board. To locate the internal dual SD module connector, see the System board connectors section.
- Holding the pull tab, lift the IDSDM out of the system.

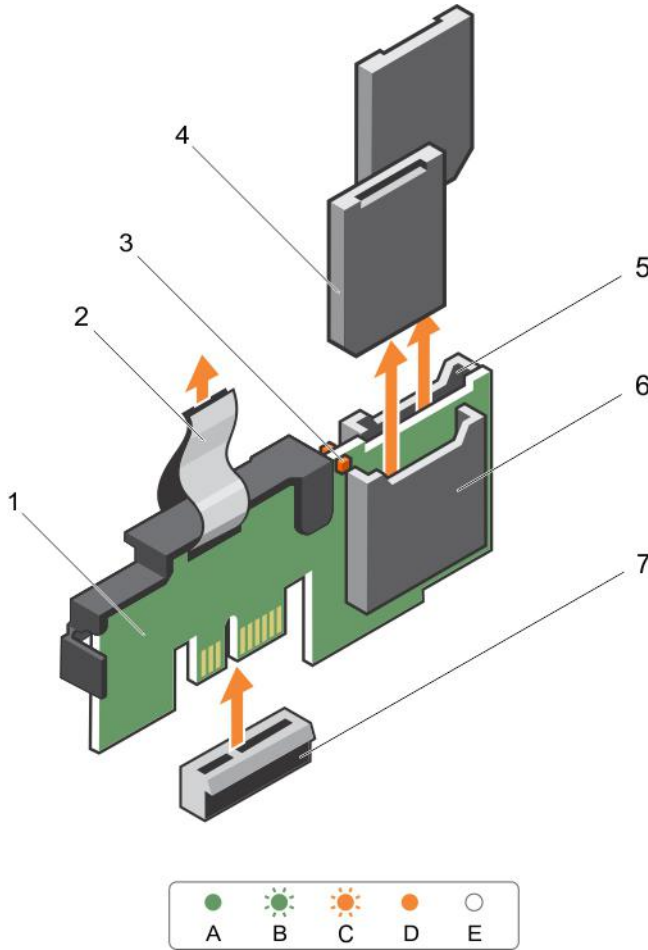


Figure 63. Removing the internal dual SD module (IDSDM)

- | | |
|-----------------------------|-------------------|
| 1. IDSDM | 2. pull tab |
| 3. LED status indicator (2) | 4. SD card (2) |
| 5. SD card slot 2 | 6. SD card slot 1 |
| 7. IDSDM connector | |

The following table describes the IDSDM indicator codes:

Table 42. IDSDM indicator codes

| Convention | IDSDM indicator code | Description |
|------------|----------------------|--|
| A | Green | Indicates that the card is online. |
| B | Flashing green | Indicates rebuild or activity. |
| C | Flashing amber | Indicates card mismatch or that the card has failed. |

| Convention | IDSDM indicator code | Description |
|------------|----------------------|--|
| D | Amber | Indicates that the card is offline, has failed, or is write protected. |
| E | Not lit | Indicates that the card is missing or is booting. |

Next steps


1. Install the IDSDM.
2. Follow the procedure listed in the After working inside your system section.

Related links

- [Safety instructions](#)
- [Before working inside your system](#)
- [System board jumpers and connectors](#)
- [Removing an internal SD card](#)
- [Installing the optional internal dual SD module](#)
- [After working inside your system](#)

Installing the optional internal dual SD module

Prerequisites

 **CAUTION:** Many repairs may only be done by a certified service technician. You should only perform troubleshooting and simple repairs as authorized in your product documentation, or as directed by the online or telephone service and support team. Damage due to servicing that is not authorized by Dell is not covered by your warranty. Read and follow the safety instructions that are shipped with your product.

1. Follow the safety guidelines listed in the Safety instructions section.
2. Follow the procedure listed in the Before working inside your system section.



NOTE: Temporarily label each SD card with its corresponding slot before removal.

Steps

1. Locate the internal dual SD module (IDSDM) connector on the system board. To locate the internal dual SD module connector, see the System board connectors section.
2. Align the IDSDM with the connector on the system board.
3. Push the IDSDM until it is firmly seated on the system board.

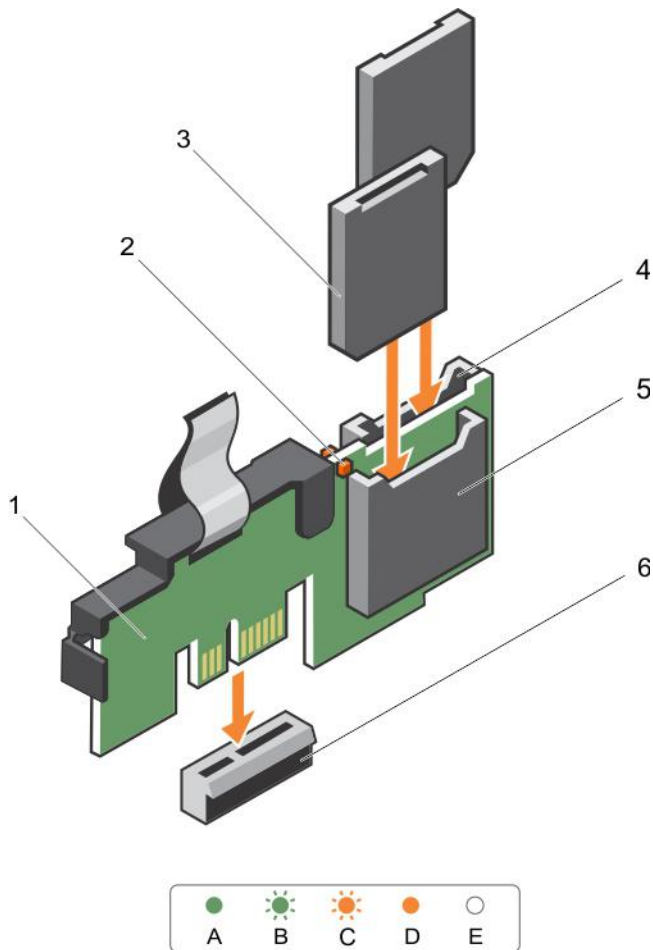


Figure 64. Installing the optional internal dual SD module

- | | |
|----------------------------|-----------------------------|
| 1. Internal Dual SD module | 2. LED status indicator (2) |
| 3. SD card (2) | 4. SD card slot 2 |
| 5. SD card slot 1 | 6. IDSDM connector |

Next steps

1. Install the SD cards.

NOTE: Re-install the SD cards into the same slots based on the labels you had marked on the cards during removal.

2. Follow the procedure listed in the After working inside your system section.

Related links

- [Safety instructions](#)
- [Before working inside your system](#)
- [Installing an internal SD card](#)
- [After working inside your system](#)


Network daughter card

The Network daughter card (NDC) is a small, removable mezzanine card. The NDC provides you with the flexibility of choosing different network connectivity options, for example—4 x 1GbE, 2 x 10GbE and 2 x Converged Network Adapter.

Removing the network daughter card

Prerequisites

1. Follow the safety guidelines listed in the Safety instructions section.
2. Follow the procedure listed in the Before working inside your system section.
3. If installed, remove expansion card(s) from the expansion card riser 2.
4. Keep the #1 Phillips screwdriver ready.

 **CAUTION: Many repairs may only be done by a certified service technician. You should only perform troubleshooting and simple repairs as authorized in your product documentation, or as directed by the online or telephone service and support team. Damage due to servicing that is not authorized by Dell is not covered by your warranty. Read and follow the safety instructions that are shipped with your product.**

Steps

1. Loosen the captive screws that secure the network daughter card (NDC) to the system board.
2. Hold the NDC by the edges on either side of the touch point and lift the card to remove it from the connector on the system board.
3. Slide the NDC away from the back of the system until the Ethernet connectors are clear of the slot in the back panel.
4. Lift the NDC out of the chassis.

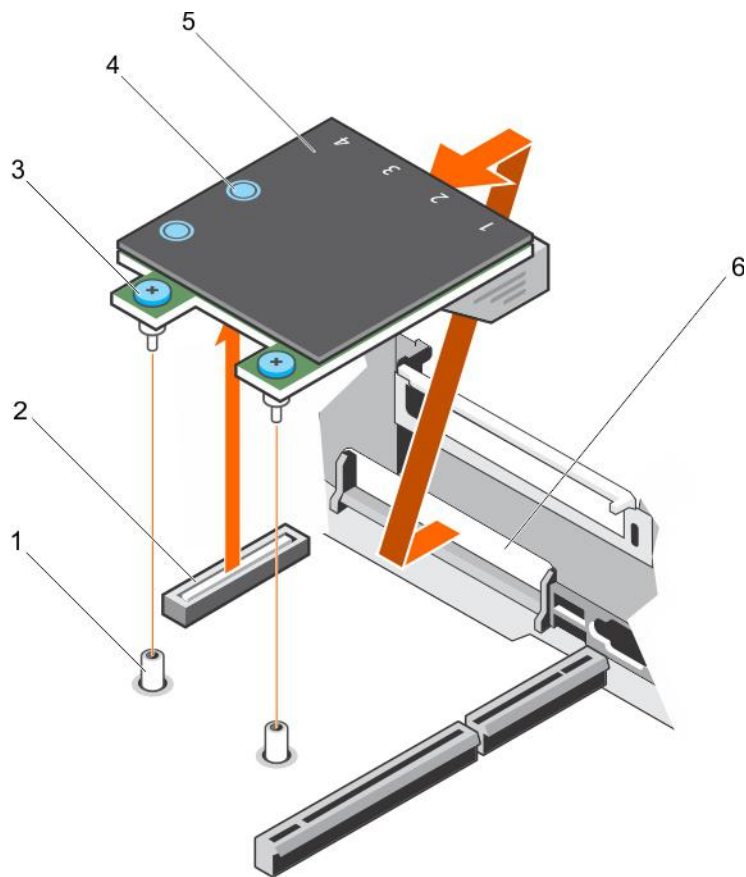


Figure 65. Removing the NDC

- | | |
|--------------------------------|--|
| 1. captive screw socket (2) | 2. connector on the system board |
| 3. captive screw (2) | 4. touch point (2) |
| 5. network daughter card (NDC) | 6. back panel slot for Ethernet connectors |

Next steps

1. Install the NDC.
2. If removed, install the expansion card(s) on the expansion card riser 2.
3. Follow the procedure listed in the After working inside your system section.

Related links

- [Safety instructions](#)
- [Before working inside your system](#)
- [Removing an expansion card from expansion card riser 2 or 3](#)
- [Installing an expansion card into the expansion card riser 2 or 3](#)
- [Installing the network daughter card](#)
- [After working inside your system](#)

Installing the network daughter card

Prerequisites

1. Follow the safety guidelines listed in the Safety instructions section.
2. Follow the procedure listed in the Before working inside your system section.
3. If applicable, remove the expansion card(s) in the expansion card riser 2.

4. Keep the #1 Phillips screwdriver ready.

CAUTION: Many repairs may only be done by a certified service technician. You should only perform troubleshooting and simple repairs as authorized in your product documentation, or as directed by the online or telephone service and support team. Damage due to servicing that is not authorized by Dell is not covered by your warranty. Read and follow the safety instructions that are shipped with your product.

Steps

1. Orient the network daughter card (NDC) so that the Ethernet connectors fit through the slot in the back panel.
2. Align the captive screws on the card with the captive screw sockets on the system board.
3. Press the touch points on the card until the card connector is firmly seated on the system board connector.
4. Tighten the captive screws to secure the NDC to the system board.

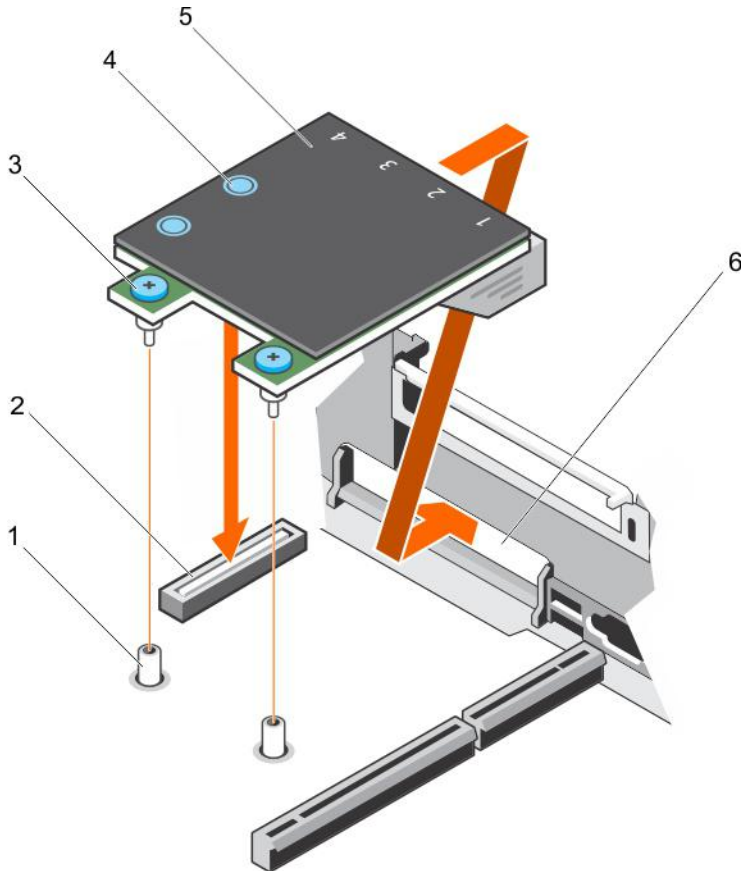


Figure 66. Installing the NDC

- | | |
|--------------------------------|--|
| 1. captive screw socket (2) | 2. connector on the system board |
| 3. captive screw (2) | 4. touch point (2) |
| 5. network daughter card (NDC) | 6. back panel slot for Ethernet connectors |

Next steps

1. If applicable, install the expansion card(s) in the expansion card riser 2.
2. Follow the procedure listed in the After working inside your system section.

Related links


- [Safety instructions](#)
- [Before working inside your system](#)
- [Removing an expansion card from expansion card riser 2 or 3](#)
- [Installing an expansion card into the expansion card riser 2 or 3](#)
- [After working inside your system](#)

Internal USB memory key (optional)

An optional USB memory key installed inside your system can be used as a boot device, security key, or mass storage device.


To boot from the USB memory key, configure the USB memory key with a boot image and then specify the USB memory key in the boot sequence in System Setup.

The internal USB port must be enabled in **Internal USB Port** option in the **Integrated Devices** screen of **System Setup**.

 **NOTE:** To locate the internal USB port (INT_USB) on the system board, see the **System board jumpers and connectors** section.

Replacing the optional internal USB memory key

Prerequisites

 **CAUTION:** Many repairs may only be done by a certified service technician. You should only perform troubleshooting and simple repairs as authorized in your product documentation, or as directed by the online or telephone service and support team. Damage due to servicing that is not authorized by Dell is not covered by your warranty. Read and follow the safety instructions that are shipped with your product.

1. Follow the safety guidelines listed in the Safety instructions section.
2. Follow the procedure listed in the Before working inside your system section.

Steps

1. Locate the USB port or USB memory key on the system board.
To locate the USB port, see the System board jumpers and connectors section.
2. If installed, remove the USB memory key from the USB port.

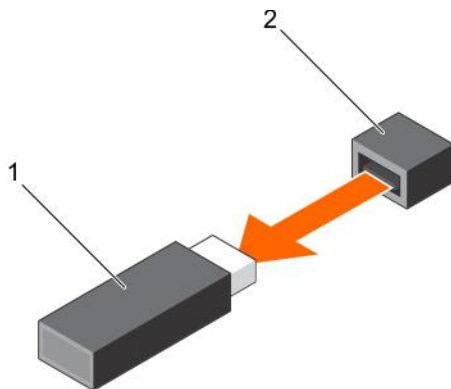


Figure 67. Removing the internal USB memory key

1. USB memory key
 2. USB port
3. Insert the replacement USB memory key into the USB port.

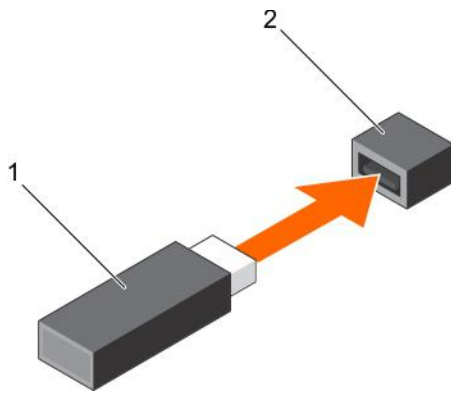


Figure 68. Installing the internal USB memory key

1. USB memory key
2. USB port

Next steps

1. Follow the procedure listed in the After working inside your system section.
2. While booting, press F2 to enter System Setup and verify that the system detects the USB memory key.

Related links



- [Safety instructions](#)
- [Before working inside your system](#)
- [After working inside your system](#)

System battery

The system board battery is used for low-level system functions like powering the real-time clock and storing the computer's BIOS settings.


Replacing the system battery

Prerequisites

-  **WARNING:** There is a danger of a new battery exploding if it is incorrectly installed. Replace the battery only with the same or equivalent type recommended by the manufacturer. For more information, see the safety information that shipped with your system.
-  **CAUTION:** Many repairs may only be done by a certified service technician. You should only perform troubleshooting and simple repairs as authorized in your product documentation, or as directed by the online or telephone service and support team. Damage due to servicing that is not authorized by Dell is not covered by your warranty. Read and follow the safety instructions that are shipped with your product.

1. Follow the safety guidelines listed in the Safety instructions section.
2. Follow the procedure listed in the Before working inside your system section.
3. Remove the cooling shroud.

Steps

1. Locate the battery socket. For more information, see the System board jumpers and connectors section.
 -  **CAUTION:** To avoid damage to the battery connector, you must firmly support the connector while installing or removing a battery.
2. Place your finger between the securing tabs at the negative side of the battery connector and lift the battery out of the socket.

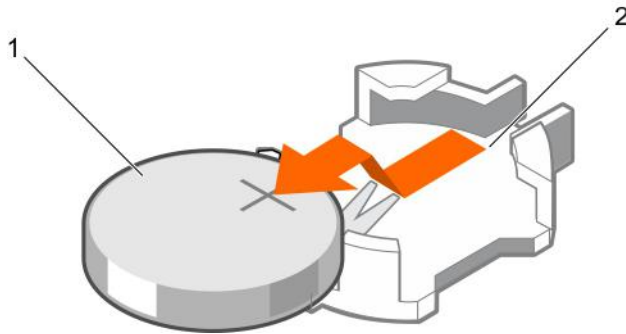


Figure 69. Removing the system battery

1. system battery

2. system battery slot

3. To install a new system battery, hold the battery with the "+" facing up and slide it under the securing tabs.
4. Press the battery into the connector until it snaps into place.

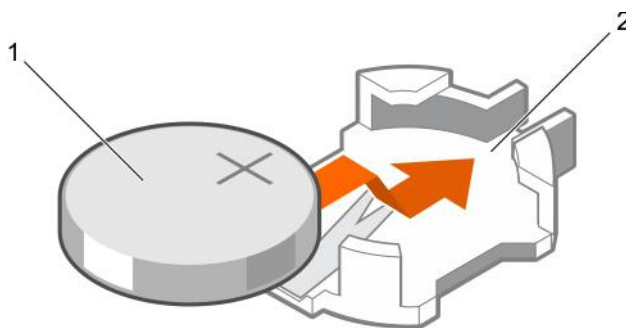


Figure 70. Installing the system battery

1. system battery

2. system battery slot

Next steps

1. Install the cooling shroud.
2. Follow the procedure listed in the After working inside your system section.
3. While booting, press F2 to enter System Setup and ensure the battery is operating properly.
4. Enter the correct time and date in the System Setup **Time** and **Date** fields.
5. Exit System Setup.

Related links

- [Safety instructions](#)
- [Before working inside your system](#)
- [Removing the cooling shroud](#)
- [Installing the cooling shroud](#)
- [After working inside your system](#)


Power supply units

Your system supports one of the following:

- Two 495 W, 750 W, or 1100 W AC power supply units (PSUs)
- Two 1100 W DC PSUs
- Two 750 W mixed mode PSUs

 **CAUTION:** For AC PSUs, use only PSUs with the Extended Power Performance (EPP) label on the back. Mixing PSUs from previous generations of systems can result in a PSU mismatch condition or failure to turn on.

 **NOTE:** Titanium PSU is nominally rated for 200 V AC to 240 V AC input only.

 **NOTE:** When two identical PSUs are installed, power supply redundancy (1+1 – with redundancy or 2+0 – without redundancy) is configured in system BIOS. In redundant mode, power is supplied to the system equally from both PSUs when Hot Spare is disabled. When Hot Spare is enabled, one of the PSUs will be put into standby when system utilization is low in order to maximize efficiency.

 **NOTE:** If two PSUs are used, they must be of the same maximum output power.

Hot spare feature

Your system supports the hot spare feature that significantly reduces the power overhead associated with power supply redundancy.

When the hot spare feature is enabled, one of the redundant PSUs is switched to the sleep state. The active PSU supports 100 percent of the load, thus operating at higher efficiency. The PSU in the sleep state monitors output voltage of the active PSU. If the output voltage of the active PSU drops, the PSU in the sleep state returns to an active output state.

If having both PSUs active is more efficient than having one PSU in the sleep state, the active PSU can also activate the sleeping PSU.

The default PSU settings are as follows:

- If the load on the active PSU is more than 50 percent, then the redundant PSU is switched to the active state.
- If the load on the active PSU falls below 20 percent, then the redundant PSU is switched to the sleep state.

You can configure the hot spare feature by using the iDRAC settings. For more information about iDRAC settings, see the *Integrated Dell Remote Access Controller User's Guide* available at Dell.com/idracmanuals.

Removing the power supply unit blank

If you are installing a second power supply unit (PSU), remove the PSU blank in the bay by pulling the blank outward.

 **CAUTION:** To ensure proper system cooling, the power supply blank must be installed in the second PSU bay in a non-redundant configuration. Remove the PSU blank only if you are installing a second PSU.

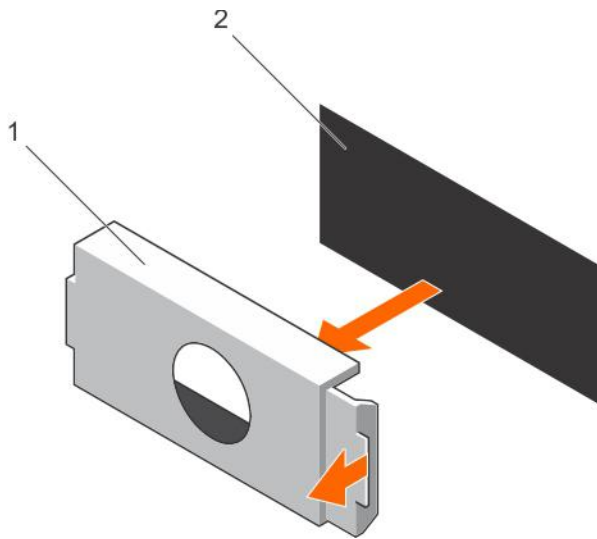


Figure 71. Removing the PSU blank

1. PSU blank

2. PSU bay

Installing the power supply unit blank

Install the power supply unit (PSU) blank only in the second PSU bay.

Align the PSU blank with the PSU bay and push it into the chassis until it clicks into place.

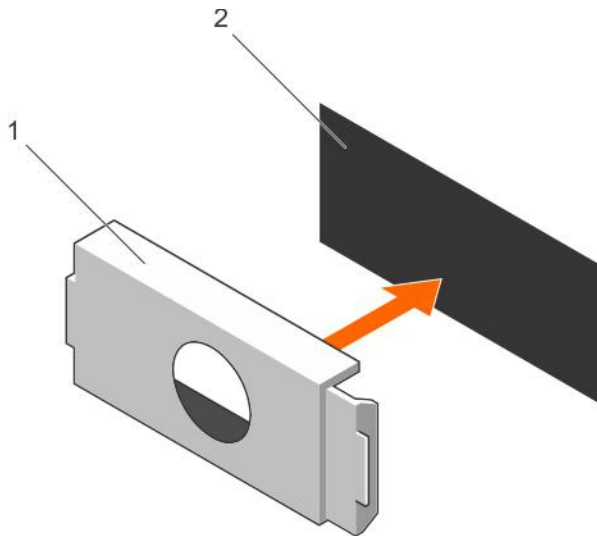


Figure 72. Installing the PSU blank

1. PSU blank

2. PSU bay

Removing an AC power supply unit

Prerequisites

CAUTION: Many repairs may only be done by a certified service technician. You should only perform troubleshooting and simple repairs as authorized in your product documentation, or as directed by the online or telephone service and support team. Damage due to servicing that is not authorized by Dell is not covered by your warranty. Read and follow the safety instructions that are shipped with your product.

CAUTION: The system needs one power supply for normal operation. On power-redundant systems, remove and replace only one power supply at a time in a system that is powered on.

NOTE: You may have to unlatch and lift the optional cable management arm if it interferes with the power supply unit (PSU) removal. For information about the cable management arm, see the system's rack documentation.

Steps

1. Disconnect the power cable from the power source and from the PSU you intend to remove, and then remove the cables from the strap.
2. Press the release latch and slide the PSU out of the chassis by using the PSU handle.

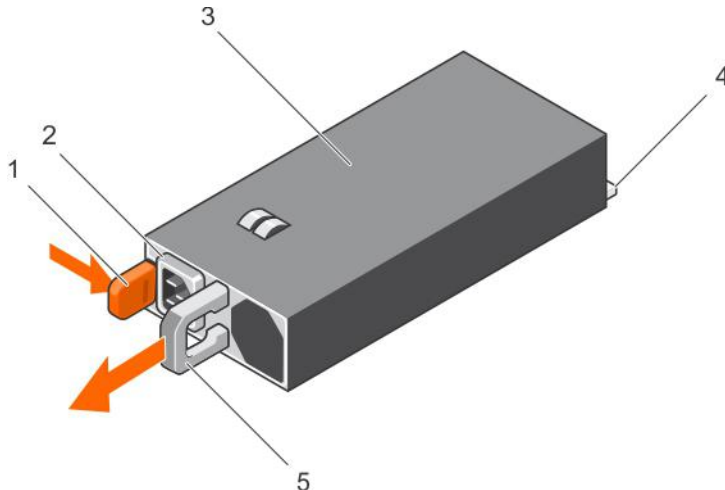


Figure 73. Removing an AC PSU

- | | |
|------------------|------------------------|
| 1. release latch | 2. PSU cable connector |
| 3. PSU | 4. power connector |
| 5. PSU handle | |

Installing an AC power supply unit

Prerequisites

CAUTION: Many repairs may only be done by a certified service technician. You should only perform troubleshooting and simple repairs as authorized in your product documentation, or as directed by the online or telephone service and support team. Damage due to servicing that is not authorized by Dell is not covered by your warranty. Read and follow the safety instructions that are shipped with your product.

NOTE: The maximum output power (shown in watts) is listed on the PSU label.

1. Follow the safety guidelines listed in the Safety instructions section.
2. For systems that support redundant power supply units (PSUs), ensure that both the PSUs are of the same type and have the same maximum output power
3. If installed, remove the PSU blank.

Steps

1. Slide the new PSU into the chassis until the PSU is fully seated and the release latch snaps into place.

NOTE: If you unlatched the cable management arm, relatch it. For information about the cable management arm, see the rack documentation of your system.

2. Connect the power cable to the PSU and plug the cable into a power outlet.

CAUTION: When connecting the power cable, secure the cable with the strap.



NOTE: When installing, hot swapping, or hot-adding a new PSU, wait for 15 seconds for the system to recognize the PSU and determine its status. The power supply redundancy may not occur until discovery is complete. Wait until the new PSU is discovered and enabled before you remove the other PSU. The PSU status indicator turns green to signify that the PSU is functioning properly.

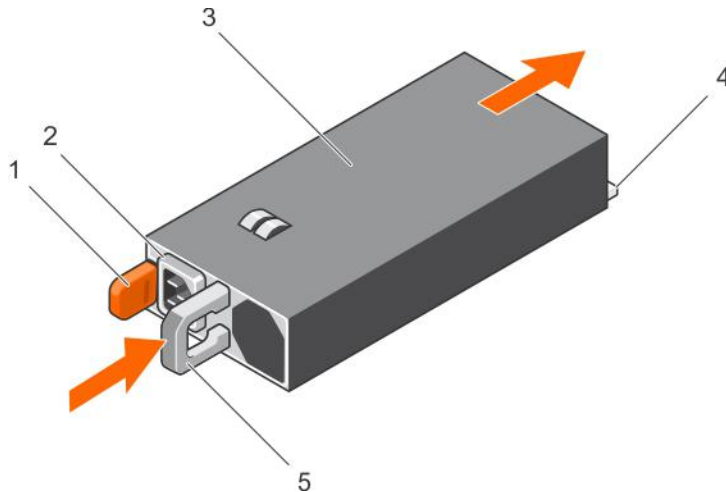


Figure 74. Installing an AC PSU

- | | |
|------------------|------------------------|
| 1. release latch | 2. PSU cable connector |
| 3. PSU | 4. power connector |
| 5. PSU handle | |

Wiring instructions for a DC power supply unit

Your system supports up to two $-(48-60)$ V DC power supply units (PSUs).

WARNING: For equipment using $-(48-60)$ V DC power supply units (PSUs), a qualified electrician must perform all connections to DC power and to safety grounds. Do not attempt connecting to DC power or installing grounds yourself. All electrical wiring must comply with applicable local or national codes and practices. Damage due to servicing that is not authorized by Dell is not covered by your warranty. Read and follow all safety instructions that came with the product.

CAUTION: Wire the unit with copper only, unless otherwise specified, use only 10 American Wire Gauge (AWG) wire rated minimum 90°C for source and return. Protect the $-(48-60)$ V DC (1 wire) with a branch circuit over-current protection rated 50 A for DC with a high interrupt current rating.

CAUTION: Connect the equipment to a $-(48-60)$ V DC supply source that is electrically isolated from the AC source (reliably grounded $-(48-60)$ V DC SELV source). Ensure that the $-(48-60)$ V DC source is efficiently secured to earth (ground).

NOTE: A readily accessible disconnect device that is suitably approved and rated shall be incorporated in the field wiring.

Input requirements

- Supply voltage: $-(48-60)$ V DC
- Current consumption: 32 A (maximum)

Kit contents

- Dell part number 6RYJ9 terminal block or equivalent (1)
- #6-32 nut equipped with lock washer (1)

Required tools

Wire-stripper pliers capable of removing insulation from size 10 AWG solid or stranded, insulated copper wire


 **NOTE: Use alpha wire part number 3080 or equivalent (65/30 stranding)**

Required wires

- One UL 10 AWG, 2 m maximum (stranded) black wire [–(48–60) V DC]
- One UL 10 AWG, 2 m maximum (stranded) red wire (V DC return)
- One UL 10 AWG, 2 m maximum green/yellow, green with a yellow stripe, stranded wire (safety ground)

Assembling and connecting the safety ground wire

Prerequisites

 **WARNING: For equipment using –(48–60) V DC power supply units (PSUs), a qualified electrician must perform all connections to DC power and to safety grounds. Do not attempt connecting to DC power or installing grounds yourself. All electrical wiring must comply with applicable local or national codes and practices. Damage due to servicing that is not authorized by Dell is not covered by your warranty. Read and follow all safety instructions that came with the product.**

Steps

1. Strip the insulation from the end of the green/yellow wire, exposing approximately 4.5 mm (0.175 inch) of copper wire.
2. Using a hand-crimping tool (Tyco Electronics, 58433-3 or equivalent), crimp the ring-tongue terminal (Jeason Terminals Inc., R5-4SA or equivalent) to the green/yellow wire (safety ground wire).
3. Connect the safety ground wire to the grounding post on the back of the system using a #6-32 nut equipped with a locking washer.

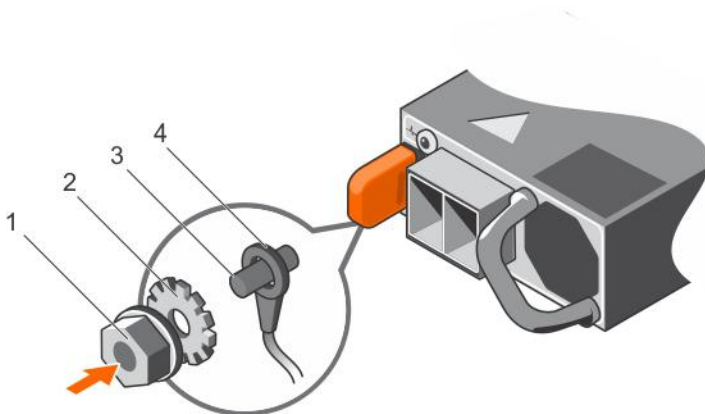


Figure 75. Assembling and connecting the safety ground wire

- | | |
|-------------------|-----------------------|
| 1. #6-32 nut | 2. spring washer |
| 3. grounding post | 4. safety ground wire |

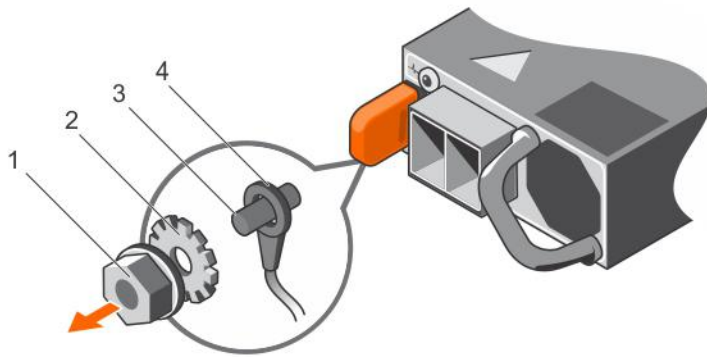


Figure 76. Removing the safety ground wire

- | | |
|-------------------|-----------------------|
| 1. #6-32 nut | 2. spring washer |
| 3. grounding post | 4. safety ground wire |

Assembling the DC input power wires

Prerequisites

⚠ WARNING: For equipment using $-(48-60)$ V DC power supply units (PSUs), a qualified electrician must perform all connections to DC power and to safety grounds. Do not attempt connecting to DC power or installing grounds yourself. All electrical wiring must comply with applicable local or national codes and practices. Damage due to servicing that is not authorized by Dell is not covered by your warranty. Read and follow all safety instructions that came with the product.

Steps

- Strip the insulation from the ends of the DC power wires, exposing approximately 13 mm (0.5 inch) of copper wire.

⚠ WARNING: Reversing polarity when connecting DC power wires can permanently damage the power supply or the system.

- Insert the copper ends into the mating connectors and tighten the captive screws at the top of the mating connector using a Phillips #2 screwdriver.

⚠ WARNING: To protect the power supply from electrostatic discharge, the captive screws must be covered with the rubber cap before inserting the mating connector into the power supply.

- Rotate the rubber cap clockwise to fix it over the captive screws.
- Insert the mating connector into the PSU.

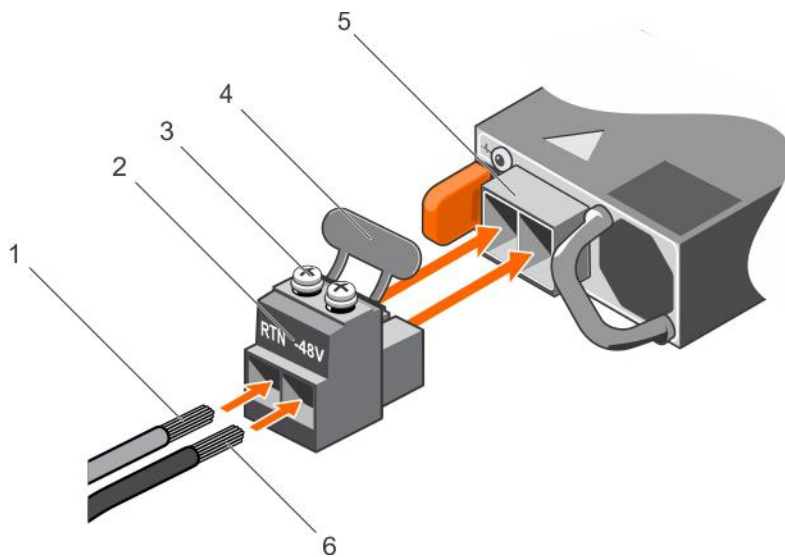


Figure 77. Assembling the DC Input Power Wires

- | | |
|----------------------|-----------------------|
| 1. DC wire RTN | 2. DC power connector |
| 3. captive screw (2) | 4. rubber cap |
| 5. DC power socket | 6. DC wire -48 V |

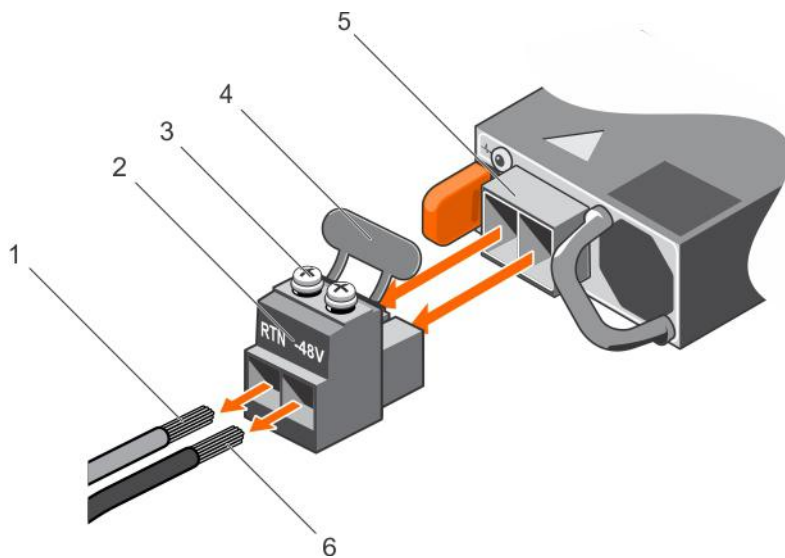


Figure 78. Removing the DC Input Power Wires

- | | |
|----------------------|-----------------------|
| 1. wire RTN | 2. DC power connector |
| 3. captive screw (2) | 4. rubber cap |
| 5. DC power socket | 6. wire -48 V |

Removing a DC power supply unit

Prerequisites

⚠ WARNING: For equipment using -(48-60) V DC power supply units (PSUs), a qualified electrician must perform all connections to DC power and to safety grounds. Do not attempt connecting to DC power or installing grounds yourself. All electrical wiring must comply with applicable local or national codes and practices. Damage due to servicing that is not authorized by Dell is not covered by your warranty. Read and follow all safety instructions that came with the product.

CAUTION: The system needs one power supply for normal operation. On power-redundant systems, remove and replace only one power supply at a time in a system that is powered on.

NOTE: You may have to unlatch and lift the optional cable management arm if it interferes with power supply removal. For information about the cable management arm, see the rack documentation of your system.

Steps

1. Disconnect the power wires from the power source and the connector from the PSU you intend to remove.
2. Disconnect the safety ground wire.
3. Press the release latch and slide the PSU out of the chassis by using the PSU handle.

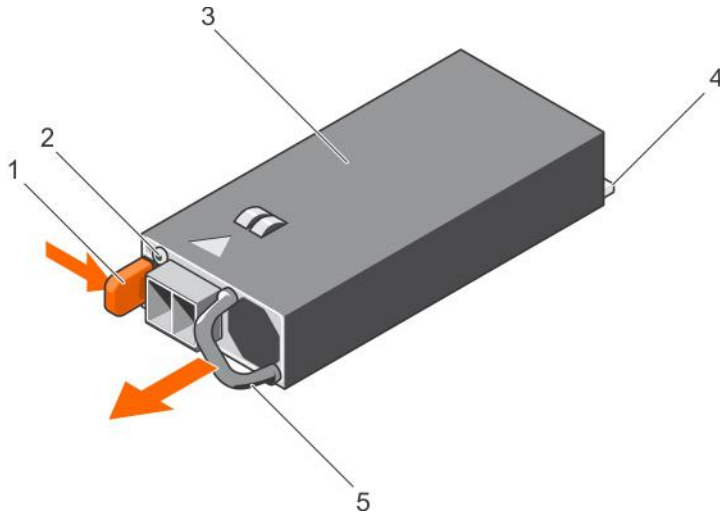


Figure 79. Removing a DC PSU

- | | |
|------------------|----------------------------------|
| 1. release latch | 2. power supply status indicator |
| 3. PSU | 4. power connector |
| 5. PSU handle | |

Installing a DC power supply unit

Prerequisites

WARNING: For equipment using $-(-48-60)$ V DC power supply units (PSUs), a qualified electrician must perform all connections to DC power and to safety grounds. Do not attempt connecting to DC power or installing grounds yourself. All electrical wiring must comply with applicable local or national codes and practices. Damage due to servicing that is not authorized by Dell is not covered by your warranty. Read and follow all safety instructions that came with the product.

1. Follow the safety guidelines listed in the Safety instructions section.
2. Follow the procedure listed in the Before working inside your system section.
3. If installed, remove the PSU blank.
4. Verify that both the PSUs are of the same type and have the same maximum output power.

NOTE: The maximum output power (shown in watts) is listed on the PSU label.

Steps

1. Slide the PSU into the chassis until the PSU is fully seated and the release latch snaps into place.

NOTE: If you have unlatched the cable management arm, relatch it. For information about the cable management arm, see the system's rack documentation.

2. Connect the safety ground wire.
3. Install the DC power connector in the PSU.

CAUTION: When connecting the power wires, ensure that you secure the wires with the strap to the PSU handle.

4. Connect the wires to a DC power source.

NOTE: When installing, hot-swapping, or hot-adding a new PSU, wait for 15 seconds for the system to recognize the PSU and determine its status. The PSU status indicator turns green to signify that the PSU is functioning properly.

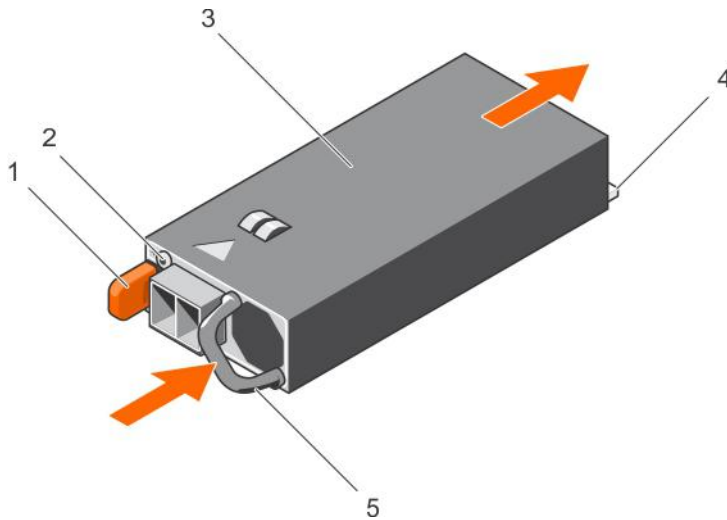


Figure 80. Installing a DC PSU

- | | |
|------------------|----------------------------------|
| 1. release latch | 2. power supply status indicator |
| 3. PSU | 4. power connector |
| 5. PSU handle | |

Next steps

- Follow the procedure listed in the After working inside your system section.

System board

Removing the system board

Prerequisites

CAUTION: Many repairs may only be done by a certified service technician. You should only perform troubleshooting and simple repairs as authorized in your product documentation, or as directed by the online or telephone service and support team. Damage due to servicing that is not authorized by Dell is not covered by your warranty. Read and follow the safety instructions that are shipped with your product.

CAUTION: If you are using the Trusted Platform Module (TPM) with an encryption key, you may be prompted to create a recovery key during program or System Setup. Be sure to create and safely store this recovery key. If you replace this system board, you must supply the recovery key when you restart your system or program before you can access the encrypted data on your hard drives.

CAUTION: Do not attempt to remove the TPM plug-in module from the system board. Once the TPM plug-in module is installed, it is cryptographically bound to that specific system board. Any attempt to remove an installed TPM plug-in module breaks the cryptographic binding, and it cannot be re-installed or installed on another system board.

1. Follow the safety guidelines listed in the Safety instructions section.
2. Follow the procedure listed in the Before working inside your system section.
3. Remove the following:
 - a. Cooling shroud
 - b. Cooling fan assembly



- c. Power supply unit(s)
- d. All expansion card risers
- e. Integrated storage controller card
- f. Internal dual SD module
- g. Internal USB key (if installed)
- h. PCIe card holder
- i. Cable retention bracket
- j. Heat sink(s)/heat sink blank(s)
- k. Processors(s)/processor blank(s)

 **CAUTION: To prevent damage to the processor pins when replacing a faulty system board, ensure that you cover the processor socket with the processor protective cap.**

- l. Memory modules and memory module blanks
- m. Network daughter card

Steps

1. Disconnect all cables from the system board.

 **CAUTION: Take care not to damage the system identification button while removing the system board from the chassis.**

 **CAUTION: Do not lift the system board by holding a memory module, processor, or other components.**

2. Hold the system board holder, lift the blue release pin, lift the system board, and then slide it toward the front of the chassis. Sliding the system board toward the front of the chassis disengages the connectors from the back of the chassis slots.
3. Lift the system board out of the chassis.

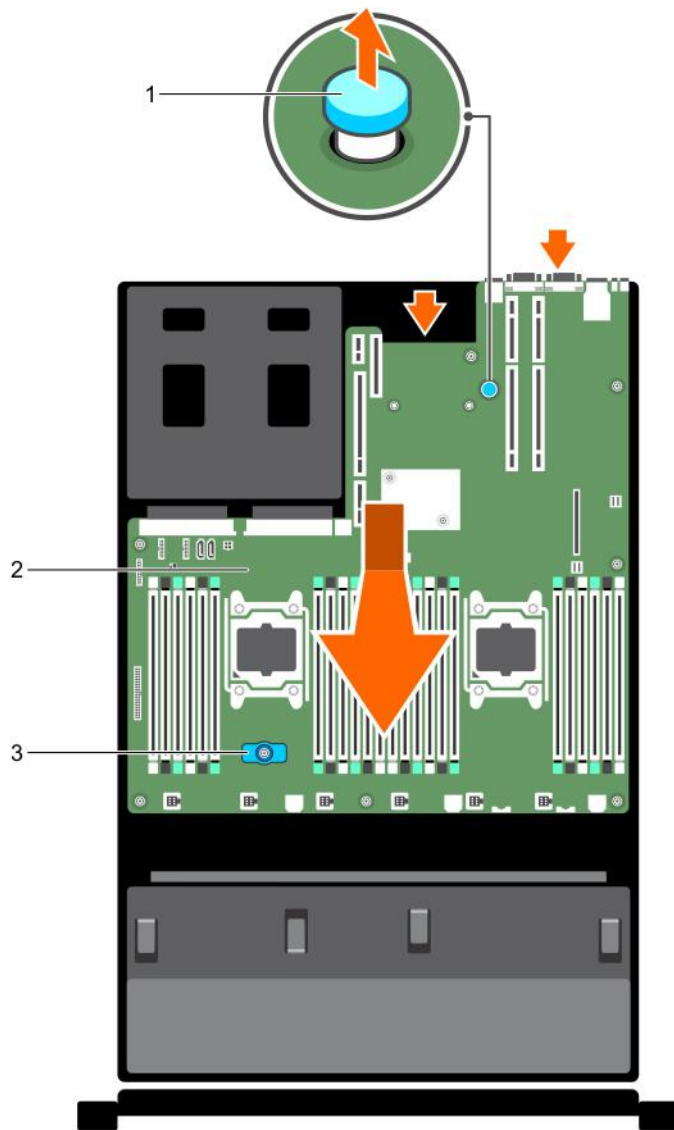


Figure 81. Removing the system board

1. release pin
2. system board
3. system board holder

Next steps

1. Install the system board.
2. Follow the procedure listed in the After working inside your system section.


Related links

- [Safety instructions](#)
- [Before working inside your system](#)
- [Removing the cooling shroud](#)
- [Removing the cooling fan assembly](#)
- [Removing the hard drive tray](#)
- [Removing an AC power supply unit](#)
- [Removing a DC power supply unit](#)
- [Removing expansion card risers](#)
- [Removing the integrated storage controller card](#)
- [Removing the optional internal dual SD module](#)
- [Replacing the optional internal USB memory key](#)
- [Removing the PCIe card holder](#)
- [Removing the cable retention bracket](#)
- [Removing a heat sink](#)
- [Removing a processor](#)
- [Removing memory modules](#)
- [Removing the network daughter card](#)
- [Installing the system board](#)
- [After working inside your system](#)

Installing the system board

Prerequisites

1. Follow the safety guidelines listed in the Safety instructions section.
2. Follow the procedure listed in the Before working inside your system section.

 **CAUTION: Many repairs may only be done by a certified service technician. You should only perform troubleshooting and simple repairs as authorized in your product documentation, or as directed by the online or telephone service and support team. Damage due to servicing that is not authorized by Dell is not covered by your warranty. Read and follow the safety instructions that are shipped with your product.**

Steps

1. Unpack the new system board assembly.

 **CAUTION: Do not lift the system board by holding a memory module, processor, or other components.**

 **CAUTION: Take care not to damage the system identification button while placing the system board into the chassis.**

2. Hold the touch points and lower the system board into the chassis.
3. Push the system board toward the back of the chassis until the board clicks into place.

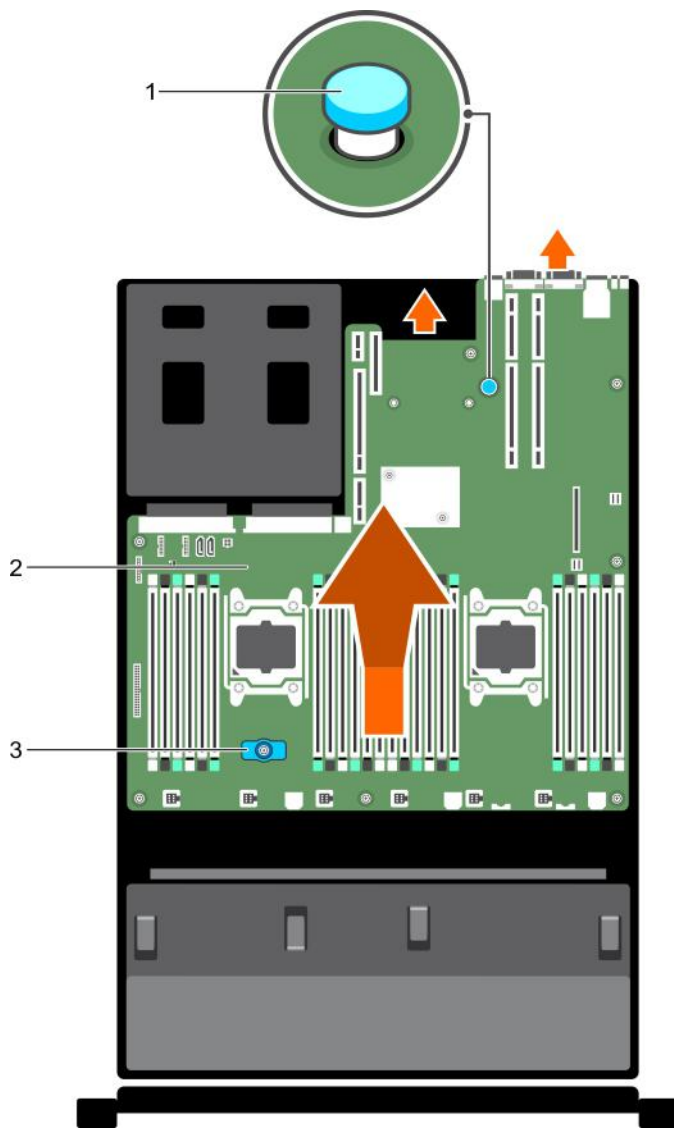


Figure 82. Installing the system board

- | | |
|--|---|
| <ol style="list-style-type: none"> 1. release pin 3. system board holder | <ol style="list-style-type: none"> 2. system board |
|--|---|


Next steps

1. Install the Trusted Platform Module (TPM). For information about how to install the TPM, see the Installing the Trusted Platform Module section. For more information on the TPM, see the Trusted Platform Module section.

NOTE: The TPM plug-in module is attached to the system board and cannot be removed. A replacement TPM plug-in module will be provided for all system board replacements where a TPM plug-in module was installed.

2. Replace the following:
 - a. Cable retention bracket
 - b. PCIe card holder
 - c. Integrated storage controller card
 - d. Internal USB key (if applicable)
 - e. Internal dual SD module
 - f. All expansion card risers



- g. Heat sink(s)/heat sink blank(s) and processors(s)/processor blank(s)
 - h. Memory modules and memory module blanks
 - i. Network daughter card
 - j. Cooling fan assembly
 - k. Cooling shroud
 - l. Power supply unit(s)
3. Reconnect all cables to the system board.
-  **NOTE: Ensure that the cables inside the system are routed along the chassis wall and secured using the cable securing bracket.**
4. Follow the procedure listed in the After working inside your system section.
 5. Import your new or existing iDRAC Enterprise license. For more information, see Integrated Dell Remote Access Controller User's Guide, at Dell.com/esmmanuals.
 6. Ensure that you:
 - a. Use the Easy Restore feature to restore the Service Tag. For more information, see the Easy restore section.
 - b. If the Service Tag is not backed up in the backup flash device, enter the system Service Tag manually. For more information, see the Entering the system Service Tag section.
 - c. Update the BIOS and iDRAC versions.
 - d. Re-enable the Trusted Platform Module (TPM). For more information, see the Re-enabling the Trusted Platform Module (TPM) section.

Related links

- [Installing the cable retention bracket](#)
- [Installing the PCIe card holder](#)
- [Installing the hard drive tray](#)
- [Installing the integrated storage controller card](#)
- [Replacing the optional internal USB memory key](#)
- [Installing the optional internal dual SD module](#)
- [Installing expansion card risers](#)
- [Installing a heat sink](#)
- [Installing a processor](#)
- [Installing memory modules](#)
- [Installing the network daughter card](#)
- [Installing the cooling fan assembly](#)
- [Installing the cooling shroud](#)
- [Installing an AC power supply unit](#)
- [Installing a DC power supply unit](#)

Entering the system Service Tag by using System Setup

If Easy Restore fails to restore the Service Tag, use System Setup to enter the Service Tag.

1. Turn on the system.
2. Press F2 to enter System Setup.
3. Click **Service Tag Settings**.
4. Enter the Service Tag.

 **NOTE: You can enter the Service Tag only when the Service Tag field is empty. Ensure that you enter the correct Service Tag. After the Service Tag is entered, it cannot be updated or changed.**

5. Click **Ok**.
6. Import your new or existing iDRAC Enterprise license.
For more information, see the *Integrated Dell Remote Access Controller User's Guide* at Dell.com/idracmanuals.

Restoring the Service Tag by using the Easy Restore feature

The Easy Restore feature enables you to restore your system's Service Tag, license, UEFI configuration, and the system configuration data after replacing the system board. All data is automatically backed up in a backup flash device. If BIOS detects a new system board and the Service Tag in the backup flash device, BIOS prompts the user to restore the backup information.

1. Turn on the system.

If BIOS detects a new system board, and if the Service Tag is present in the backup flash device, BIOS displays the Service Tag, the status of the license, and the **UEFI Diagnostics** version.

2. Perform one of the following steps:

- Press **Y** to restore the Service Tag, license, and diagnostics information.
- Press **N** to navigate to the Dell Lifecycle Controller based restore options.
- Press F10 to restore data from a previously created **Hardware Server Profile**.

After the restore process is complete, BIOS prompts to restore the system configuration data.

3. Perform one of the following steps:

- Press **Y** to restore the system configuration data.
- Press **N** to use the default configuration settings.

After the restore process is complete, the system restarts.

Trusted Platform Module


Trusted Platform Module (TPM) is a dedicated microprocessor designed to secure hardware by integrating cryptographic keys into devices. A software can use a Trusted Platform Module to authenticate hardware devices. As each TPM chip has a unique and secret RSA key burned in as it is produced, it can perform the platform authentication.

 **CAUTION: Do not attempt to remove the Trusted Platform Module (TPM) from the system board. After the TPM is installed, it is cryptographically bound to that specific system board. Any attempt to remove an installed TPM breaks the cryptographic binding, and it cannot be re-installed or installed on another system board.**

 **NOTE: This is a Field Replaceable Unit (FRU). Removal and installation procedures must be performed only by Dell certified service technicians.**

Installing the Trusted Platform Module

Prerequisites

 **CAUTION: Many repairs may only be done by a certified service technician. You should only perform troubleshooting and simple repairs as authorized in your product documentation, or as directed by the online or telephone service and support team. Damage due to servicing that is not authorized by Dell is not covered by your warranty. Read and follow the safety instructions that came with the product.**

1. Follow the safety guidelines listed in the Safety instructions section.
2. Follow the procedure listed in the Before working inside your system section.

Steps

1. Locate the Trusted Platform Module (TPM) connector on the system board.

 **NOTE: To locate the TPM connector on the system board, see the System board connectors section.**

2. Align the edge connectors on the TPM with the slot on the TPM connector.
3. Insert the TPM into the TPM connector such that the plastic bolt aligns with the slot on the system board.
4. Press the plastic bolt until the bolt snaps into place.



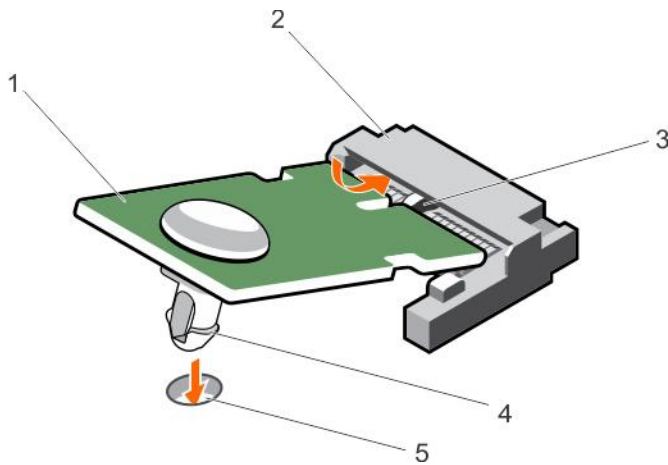


Figure 83. Installing the TPM

- | | |
|------------------------------|------------------|
| 1. TPM | 2. TPM connector |
| 3. slot on the TPM connector | 4. plastic bolt |
| 5. slot on the system board | |

Next steps

1. Install the system board.
2. Follow the procedure listed in the After working inside your system section.

Related links

- [Safety instructions](#)
- [Before working inside your system](#)
- [Installing the system board](#)
- [After working inside your system](#)

Initializing the TPM for BitLocker users

Initialize the TPM.

For more information about initializing the TPM, see <http://technet.microsoft.com/en-us/library/cc753140.aspx>.

The **TPM Status** changes to **Enabled, Activated**.

Initializing the TPM for TXT users

1. While booting your system, press F2 to enter System Setup.
2. On the **System Setup Main Menu** screen, click **System BIOS** → **System Security Settings**.
3. From the **TPM Security** option, select **On with Pre-boot Measurements**.
4. From the **TPM Command** option, select **Activate**.
5. Save the settings.
6. Restart your system.
7. Enter **System Setup** again.
8. On the **System Setup Main Menu** screen, click **System BIOS** → **System Security Settings**.
9. From the **Intel TXT** option, select **On**.

Hard drives

Your system supports entry hard drives and enterprise-class hard drives. Entry hard drives are designed for 5x8 operating environment with less workload rating to drives and enterprise-class drives are designed for 24x7 operating environment. Selecting


the correct drive class will enable the critical areas of quality, functionality, performance, and reliability to be optimized for the target implementation.

 **NOTE: Do not mix enterprise-class hard drives with entry hard drives.**

Choosing the right drive type depends on the usage pattern. Improper use of entry hard drives (workload rating exceeds 55TB/year) will lead to significant risk and increase the drives failure rate.

For more information on these hard drives, see the *512e and 4Kn Disk Formats* whitepaper and *4K Sector HDD FAQ* document at Dell.com/poweredgemanuals.

All hard drives are connected to the system board through the hard drive backplane. Hard drives are supplied in hot-swappable hard drive carriers that fit in the hard drive slots.

 **CAUTION: Before attempting to remove or install a hard drive while the system is running, see the documentation for the storage controller card to ensure that the host adapter is configured correctly to support hot-swap hard drive removal and insertion.**


 **CAUTION: Do not turn off or restart your system while the hard drive is being formatted. Doing so can cause a hard drive failure.**

Use only hard drives that have been tested and approved for use with the hard drive backplane.

When you format a hard drive, allow enough time for the formatting to be complete. Be aware that high-capacity hard drives can take a long time to format.

Removing a 2.5-inch hard drive blank

Prerequisites

 **CAUTION: Many repairs may only be done by a certified service technician. Perform troubleshooting and simple repairs as authorized in your product documentation, or as directed by the online or telephone service and support team. Damage due to servicing that is not authorized by Dell is not covered by your warranty. Read and follow the safety instructions that came with the product.**

 **CAUTION: To maintain proper system cooling, all empty hard drive slots must have hard drive blanks installed.**

1. Follow the safety guidelines listed in the Safety instructions section.
2. If installed, remove the bezel.

Steps

Press the release button and slide the hard drive blank out of the hard drive slot.

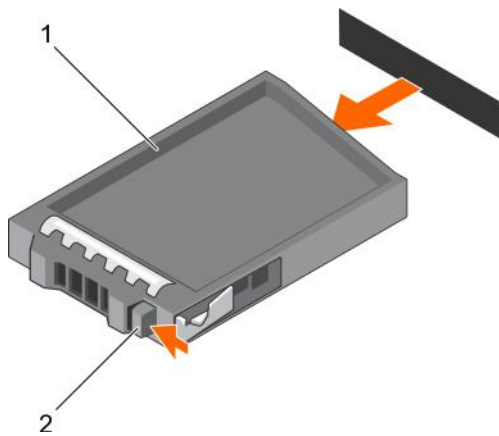


Figure 84. Removing a 2.5-inch hard drive blank

1. hard drive blank

2. release button

Related links

[Safety instructions](#)

[Removing the optional front bezel](#)

Installing a 2.5-inch hard drive blank

Prerequisites

1. Follow the safety guidelines listed in the Safety instructions section.
2. If installed, remove the front bezel.

Steps

Insert the hard drive blank into the hard drive slot until the release button clicks into place.

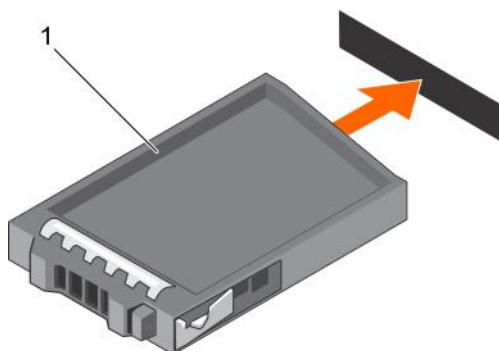


Figure 85. Installing a 2.5-inch hard drive blank

1. hard drive blank

Next steps

If removed, install the front bezel.

Related links

[Safety instructions](#)

[Removing the optional front bezel](#)

Removing a 3.5-inch hard drive blank

Prerequisites

CAUTION: Many repairs may only be done by a certified service technician. You should only perform troubleshooting and simple repairs as authorized in your product documentation, or as directed by the online or telephone service and support team. Damage due to servicing that is not authorized by Dell is not covered by your warranty. Read and follow the safety instructions that came with the product.

CAUTION: To maintain proper system cooling, all empty hard drive slots must have hard drive blanks installed.

1. Follow the safety guidelines listed in the Safety instructions section.
2. If installed, remove the front bezel.

Steps

Press the release button and slide the blank out of the hard drive slot.

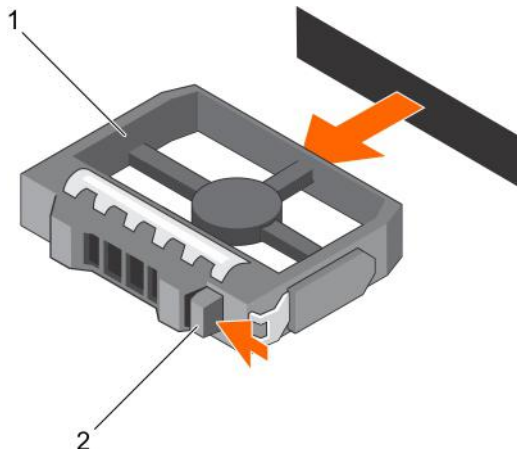


Figure 86. Removing a 3.5 inch hard drive blank

1. hard drive blank

2. release button

Next steps

If applicable, install the front bezel.

Related links

[Safety instructions](#)

[Removing the optional front bezel](#)

[Installing the optional front bezel](#)

Installing a 3.5-inch hard drive blank

Prerequisites

1. Follow the safety guidelines listed in the Safety instructions section.
2. If installed, remove the front bezel.

Steps

Insert the hard drive blank into the hard drive slot until the release button clicks into place.



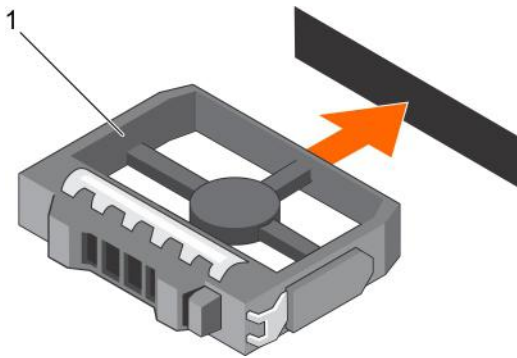


Figure 87. Installing a 3.5 inch hard drive blank

1. hard drive blank

Next steps

If applicable, install the front bezel.

Related links

[Safety instructions](#)

[Removing the optional front bezel](#)

[Installing the optional front bezel](#)

Removing a hot swappable hard drive or SSD

Prerequisites

CAUTION: Many repairs may only be done by a certified service technician. You should only perform troubleshooting and simple repairs as authorized in your product documentation, or as directed by the online or telephone service and support team. Damage due to servicing that is not authorized by Dell is not covered by your warranty. Read and follow the safety instructions that came with the product.

1. Follow the safety guidelines listed in the Safety instructions section.
2. Follow the procedure listed in the Before working inside your system section.
3. If applicable, remove the bezel.
4. If applicable, remove the system cover to remove hot-swappable drives inside your system.
5. Using the management software, prepare the hard drive for removal. If the hard drive is online, the green activity or fault indicator flashes while the drive is turning off. When the hard drive indicators are off, the hard drive is ready for removal. For more information, see the documentation for the storage controller.

CAUTION: To prevent data loss, ensure that your operating system supports hot-swap drive installation. See the documentation supplied with your operating system.

Steps

1. Press the release button to open the hard drive or SSD carrier release handle.
2. Slide the hard drive carrier or SSD out of the hard drive slot.

CAUTION: To maintain proper system cooling, all empty hard drive or SSD slots must have hard drive or SSD blanks installed.

3. If you are not replacing the hard drive or SSD immediately, insert a hard drive or SSD blank in the empty hard drive slot.

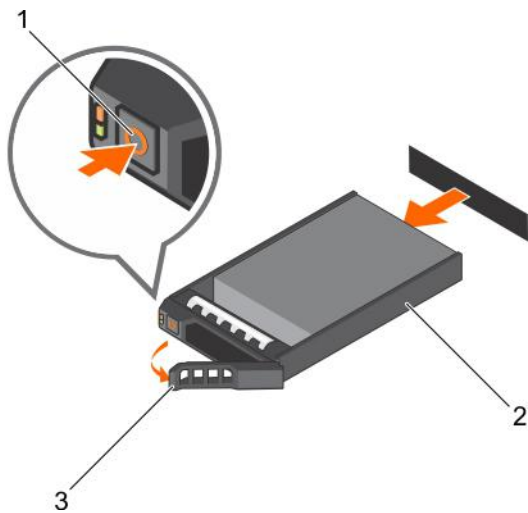


Figure 88. Removing a hot-swappable hard drive or SSD

- | | |
|-------------------------------------|------------------------------|
| 1. release button | 2. hard drive or SSD carrier |
| 3. hard drive or SSD carrier handle | |

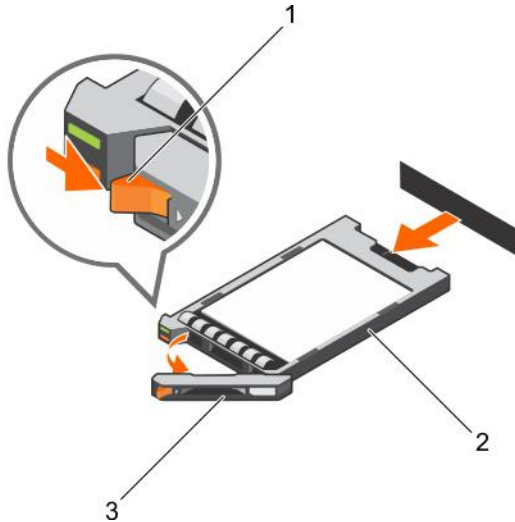


Figure 89. Removing a 1.8 inch hot-swappable uSATA SSD carrier

- | | |
|-----------------------|----------------|
| 1. release button | 2. SSD carrier |
| 3. SSD carrier handle | |

Related links

- [Safety instructions](#)
- [Before working inside your system](#)
- [Removing the optional front bezel](#)
- [Installing the optional front bezel](#)

Installing a hot-swap hard drive

Prerequisites

CAUTION: Many repairs may only be done by a certified service technician. You should only perform troubleshooting and simple repairs as authorized in your product documentation, or as directed by the online or telephone service and support team. Damage due to servicing that is not authorized by Dell is not covered by your warranty. Read and follow the safety instructions that are shipped with your product.



- △ CAUTION: Use only hard drives that have been tested and approved for use with the hard drive backplane.
- △ CAUTION: When installing a hard drive, ensure that the adjacent drives are fully installed. Inserting a hard drive carrier and attempting to lock its handle next to a partially installed carrier can damage the partially installed carrier's shield spring and make it unusable.
- △ CAUTION: Combining SAS and SATA hard drives in the same RAID volume is not supported.
- △ CAUTION: To prevent data loss, ensure that your operating system supports hot-swap drive installation. See the documentation supplied with your operating system.
- △ CAUTION: When a replacement hot swappable hard drive is installed and the system is powered on, the hard drive automatically begins to rebuild. Make absolutely sure that the replacement hard drive is blank or contains data that you wish to have over-written. Any data on the replacement hard drive is immediately lost after the hard drive is installed.

Steps

1. If a hard drive blank is installed in the hard drive slot, remove it.
2. Install a hard drive in the hard drive carrier.
3. Press the release button on the front of the hard drive carrier and open the hard drive carrier handle.
4. Insert the hard drive carrier into the hard drive slot until the carrier connects with the backplane.
5. Close the hard drive carrier handle to lock the hard drive in place.

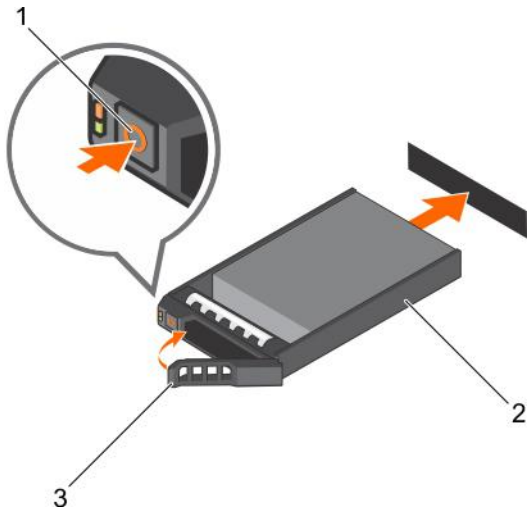


Figure 90. Installing a hot-swappable hard drive or SSD

- | | |
|-------------------------------------|------------------------------|
| 1. release button | 2. hard drive or SSD carrier |
| 3. hard drive or SSD carrier handle | |

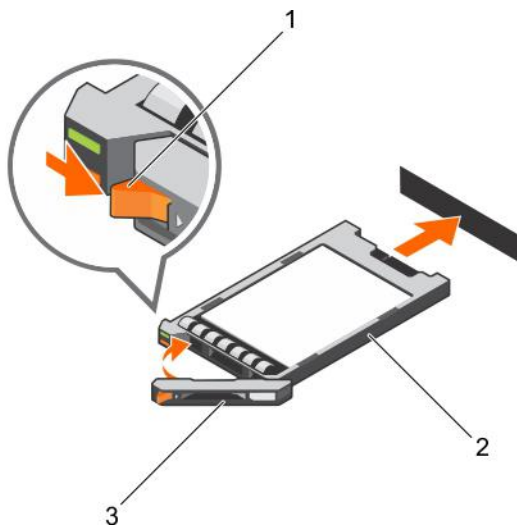


Figure 91. Installing a 1.8 inch hot-swappable uSATA SSD carrier

- | | |
|-----------------------|----------------|
| 1. release button | 2. SSD carrier |
| 3. SSD carrier handle | |

Related links

- [Removing a 3.5-inch hard drive blank](#)
- [Removing a 2.5-inch hard drive blank](#)
- [Installing a hard drive into a hard drive carrier](#)
- [Installing the hard drive backplane](#)

Removing a hard drive from a hard drive carrier

Prerequisites

1. Keep the Phillips #1 screwdriver handy.
2. Remove the hard drive carrier from the system.

Steps

1. Remove the screws from the slide rails on the hard drive carrier.
2. Lift the hard drive out of the hard drive carrier.

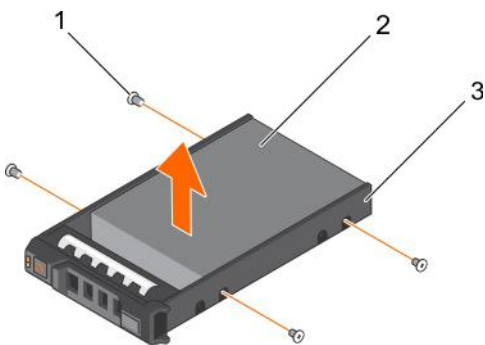


Figure 92. Removing a hard drive into a hard drive carrier

- | | |
|-----------------------|---------------|
| 1. screw (4) | 2. hard drive |
| 3. hard drive carrier | |

Related video

<http://www.Dell.com/QRL/Server/PER730/HDD>



Related links

- [Removing a hot swappable hard drive or SSD](#)
- [Installing a hot-swap hard drive](#)

Installing a hard drive into a hard drive carrier

Prerequisites

CAUTION: Many repairs may only be done by a certified service technician. You should only perform troubleshooting and simple repairs as authorized in your product documentation, or as directed by the online or telephone service and support team. Damage due to servicing that is not authorized by Dell is not covered by your warranty. Read and follow the safety instructions that are shipped with your product.

Steps

1. Insert the hard drive into the hard drive carrier with the connector end of the hard drive toward the back of the carrier.
2. Align the screw holes on the hard drive with the screws holes on the hard drive carrier.
When aligned correctly, the back of the hard drive is flush with the back of the hard drive carrier.
3. Attach the screws to secure the hard drive to the hard drive carrier.

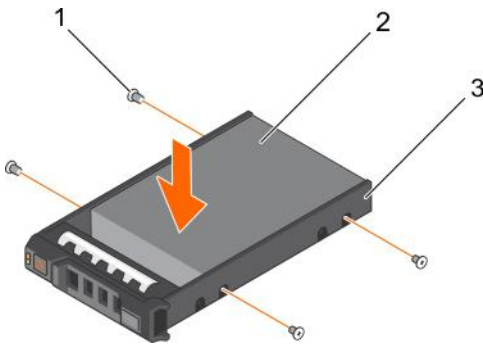


Figure 93. Installing a hard drive into a hard drive carrier

1. screw (4)
2. hard drive
3. hard drive carrier

Removing a 1.8-inch hard drive blank

Prerequisites

1. Follow the safety guidelines listed in the Safety instructions section.
2. If installed, remove the front bezel.

CAUTION: To maintain proper system cooling, all empty hard drive slots must have hard drive blanks installed.

Steps

Press the release button and slide the hard drive blank out of the hard drive slot.

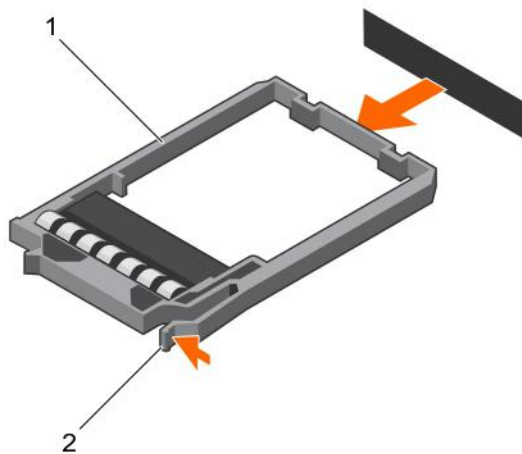


Figure 94. Removing a 1.8-inch hard drive blank

1. hard drive blank
2. release button

Next steps

If applicable, install the front bezel.

Related links

- [Safety instructions](#)
- [Removing the optional front bezel](#)
- [Installing the optional front bezel](#)

Installing a 1.8-inch hard drive blank

Prerequisites

1. Follow the safety guidelines listed in the Safety instructions section.
2. If installed, remove the front bezel.

Steps

Insert the hard drive blank into the hard drive slot until the release button clicks into place.

Next steps

If applicable, install the front bezel.

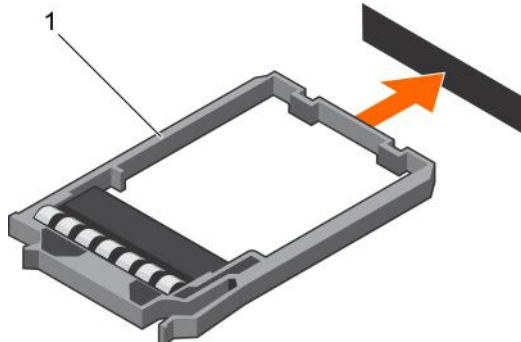


Figure 95. Installing a 1.8-inch hard drive blank

1. hard drive blank



Related links

[Safety instructions](#)

[Removing the optional front bezel](#)

[Installing the optional front bezel](#)

Removing a 1.8-inch hard drive from a hard drive carrier

Prerequisites

1. Follow the safety guidelines listed in the Safety instructions section.
2. Remove the hard drive carrier from the system.

Steps

1. Turn the hard drive carrier.
2. Pull the rails of the hard drive carrier and lift the hard drive out of the hard drive carrier.

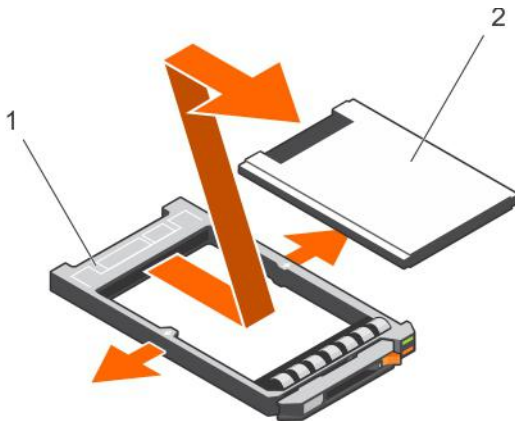


Figure 96. Removing a 1.8-inch hard drive into a hard drive carrier

1. hard drive carrier

2. hard drive

Related links

[Safety instructions](#)

Installing a 1.8-inch hard drive into a hard drive carrier

Prerequisites

CAUTION: Many repairs may only be done by a certified service technician. You should only perform troubleshooting and simple repairs as authorized in your product documentation, or as directed by the online or telephone service and support team. Damage due to servicing that is not authorized by Dell is not covered by your warranty. Read and follow the safety instructions that are shipped with your product.

Steps

Insert the hard drive into the hard drive carrier with the connector end of the hard drive toward the back. When aligned correctly, the back of the hard drive is flush with the back of the hard drive carrier.

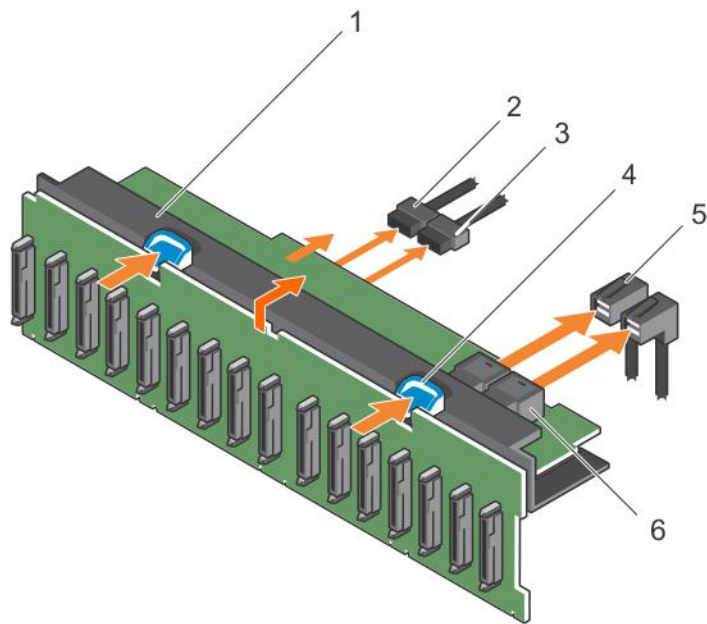


Figure 98. Removing the 2.5 inch (x16) SAS/SATA backplane

1. hard drive backplane assembly
2. backplane signal cable
3. backplane power cable
4. release tab (2)
5. SAS cable (2)
6. mini SAS connector (2)

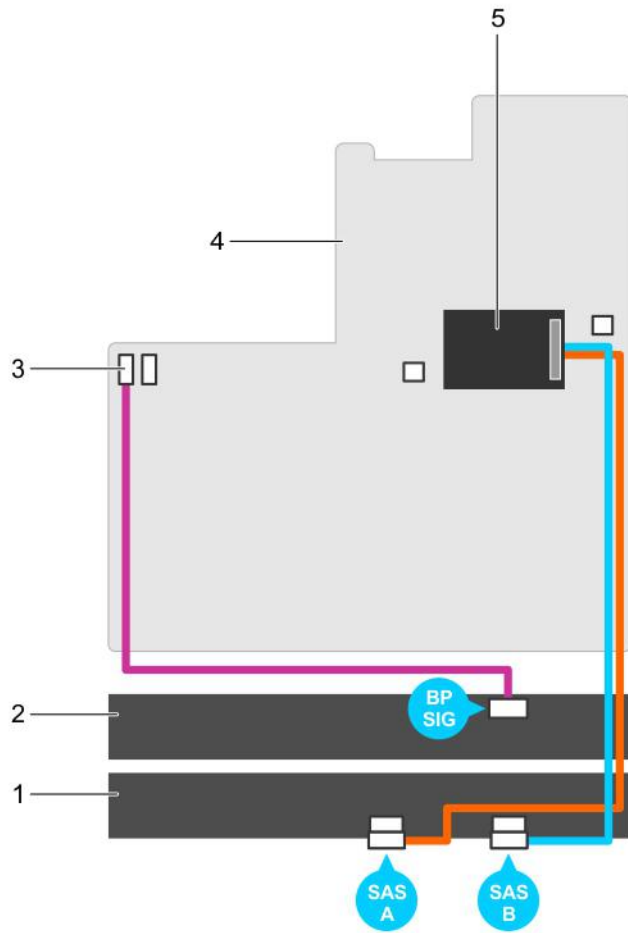


Figure 99. Cabling diagram—2.5 inch (x16) SAS/SATA backplane

- | | |
|---------------------------------------|-------------------------|
| 1. hard drive backplane expander | 2. hard drive backplane |
| 3. backplane signal connector 1 | 4. system board |
| 5. integrated storage controller card | |

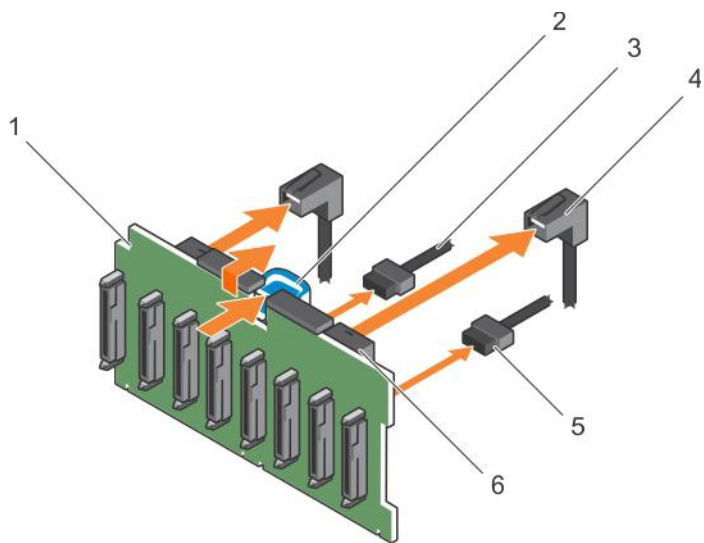


Figure 100. Removing the 2.5 inch (x8) SAS/SATA backplane

- | | |
|---------------------------|---------------------------|
| 1. hard drive backplane | 2. release tab |
| 3. backplane power cable | 4. SAS cable (2) |
| 5. backplane signal cable | 6. mini SAS connector (2) |

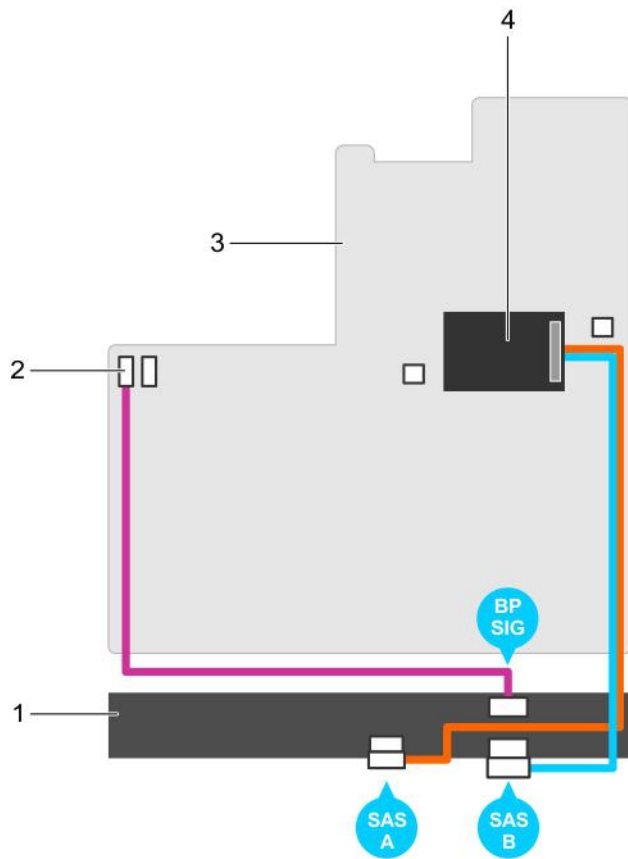


Figure 101. Cabling diagram—2.5 inch (x8) SAS/SATA backplane (option 1)

- | | |
|-------------------------|---------------------------------------|
| 1. hard drive backplane | 2. backplane signal connector 1 |
| 3. system board | 4. integrated storage controller card |

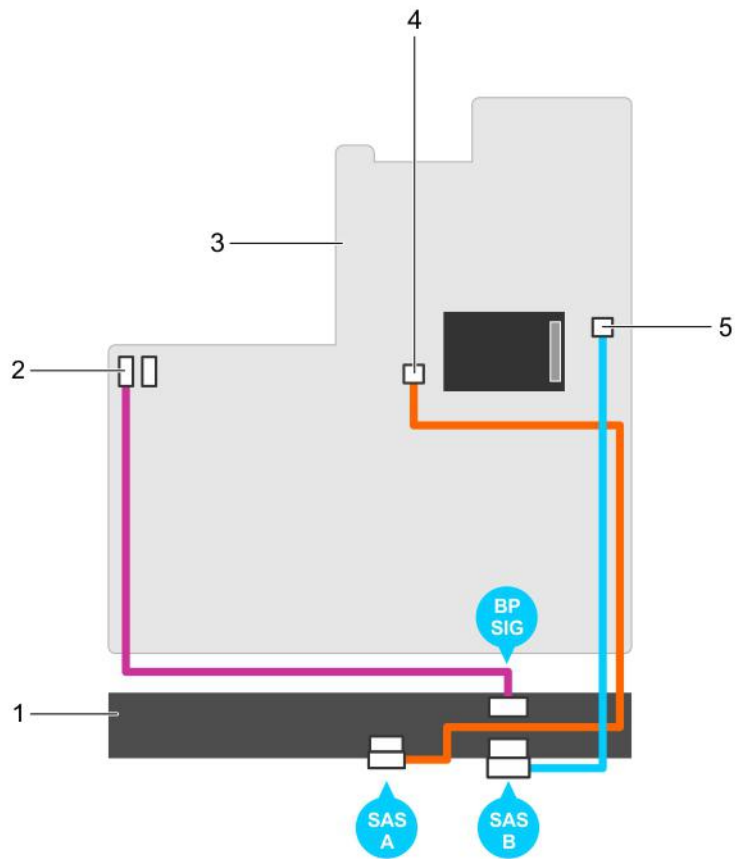


Figure 102. Cabling diagram—2.5 inch (x8) SAS/SATA backplane (option 2)

- | | |
|--|--|
| 1. hard drive backplane | 2. backplane signal connector 1 |
| 3. system board | 4. SAS A connector on the system board |
| 5. SAS B connector on the system board | |

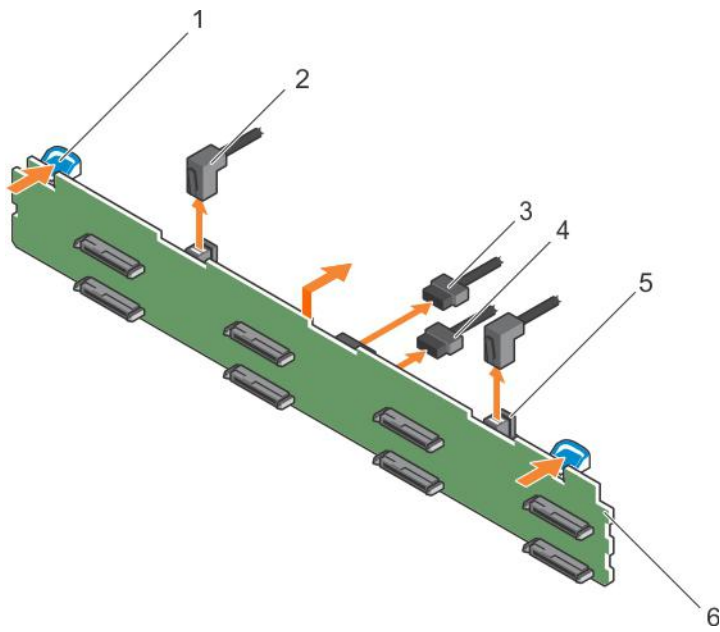


Figure 103. Removing the 3.5 inch (x8) SAS/SATA backplane

- | | |
|-------------------------------|--------------------------|
| 1. release tab (2) | 2. SAS cable (2) |
| 3. backplane signal connector | 4. backplane power cable |
| 5. mini SAS cable connector | 6. hard drive backplane |

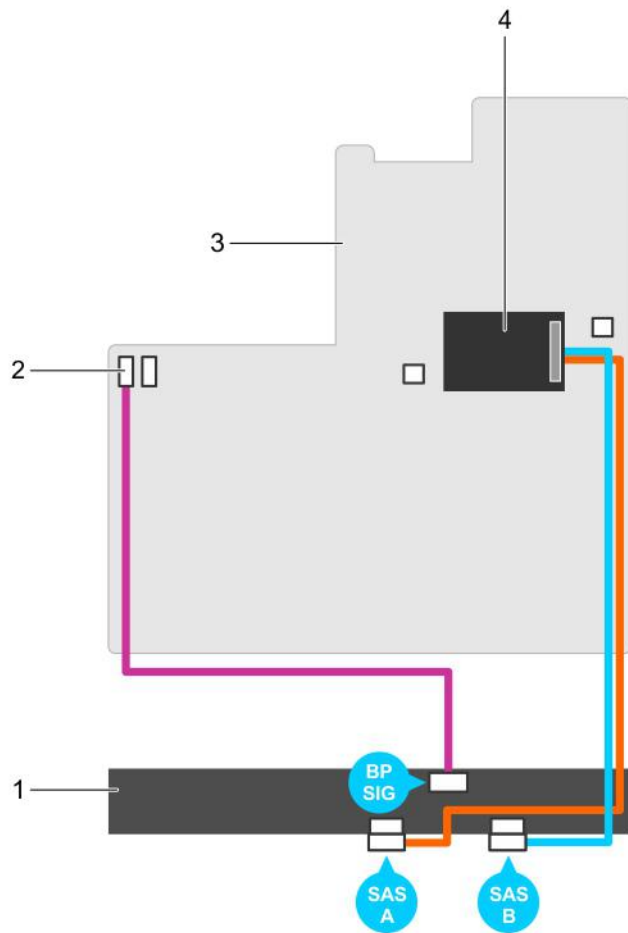


Figure 104. Cabling diagram—3.5 inch (x8) SAS/SATA backplane—(option 1)

- | | |
|-------------------------|---------------------------------------|
| 1. hard drive backplane | 2. backplane signal connector 1 |
| 3. system board | 4. integrated storage controller card |

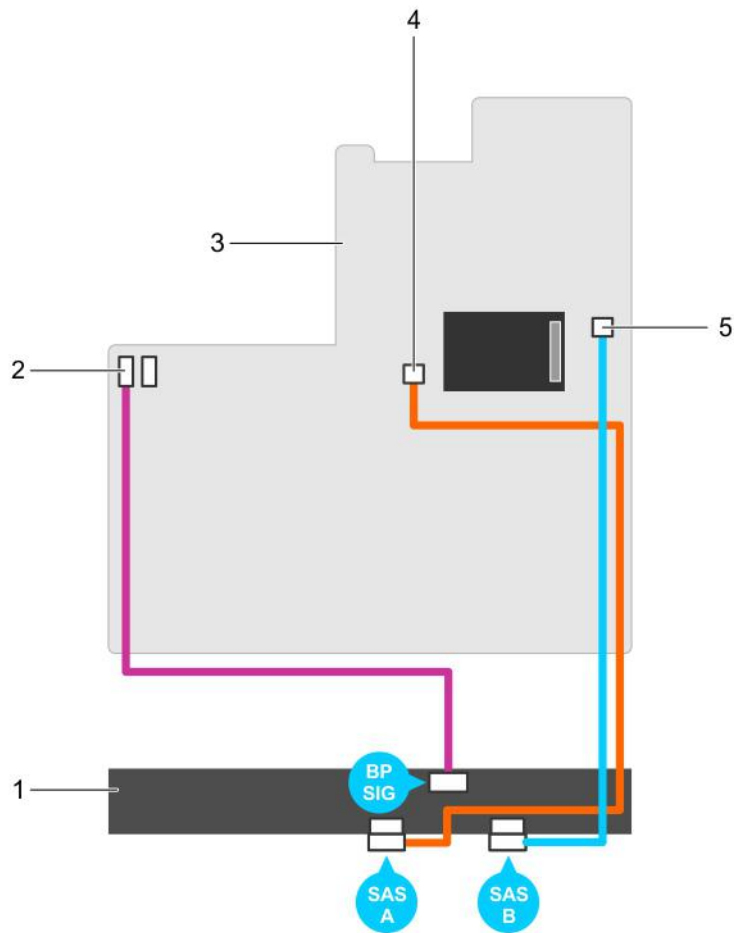


Figure 105. Cabling diagram—3.5 inch (x8) SAS/SATA backplane (option 2)

- | | |
|--|--|
| 1. hard drive backplane | 2. backplane signal connector 1 |
| 3. system board | 4. SAS A connector on the system board |
| 5. SAS B connector on the system board | |

Next steps

1. Replace the hard drive backplane.
2. Follow the procedure listed in the After working inside your system section.

Installing the hard drive backplane

Prerequisites

1. Follow the safety guidelines listed in the Safety instructions section.
2. Follow the procedure listed in the Before working inside your system section.

CAUTION: Many repairs may only be done by a certified service technician. You should only perform troubleshooting and simple repairs as authorized in your product documentation, or as directed by the online or telephone service and support team. Damage due to servicing that is not authorized by Dell is not covered by your warranty. Read and follow the safety instructions that are shipped with your product.

CAUTION: To prevent damage to the control panel flex cable, do not bend the control panel flex cable after it is inserted into the connector.



Steps

1. Use the hooks on the chassis as guides to align the hard drive backplane.
2. Lower the hard drive backplane until the release tabs snap into place.
3. Connect the SAS/SATA/SSD data, signal, and power cable(s) to the backplane.

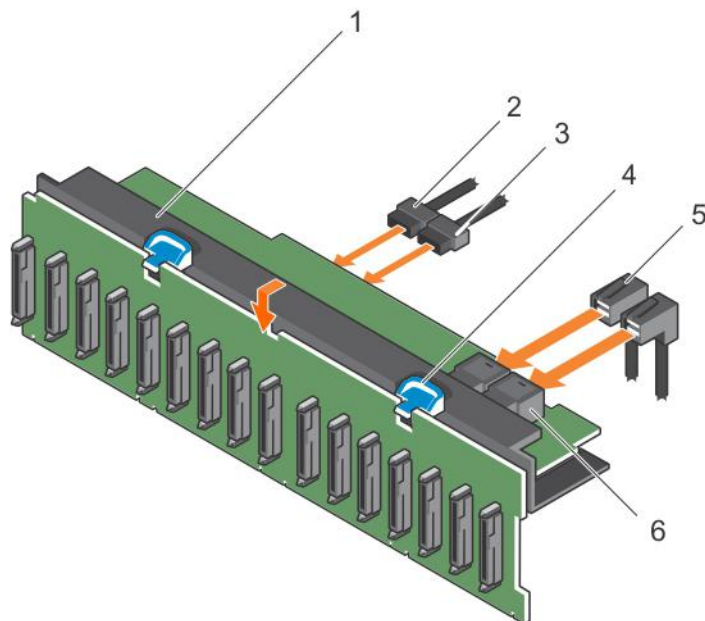


Figure 106. Installing the 2.5 inch (x16) SAS/SATA backplane

- | | |
|----------------------------------|---------------------------|
| 1. hard drive backplane assembly | 2. backplane signal cable |
| 3. backplane power cable | 4. release tab (2) |
| 5. SAS cable (2) | 6. mini SAS connector (2) |

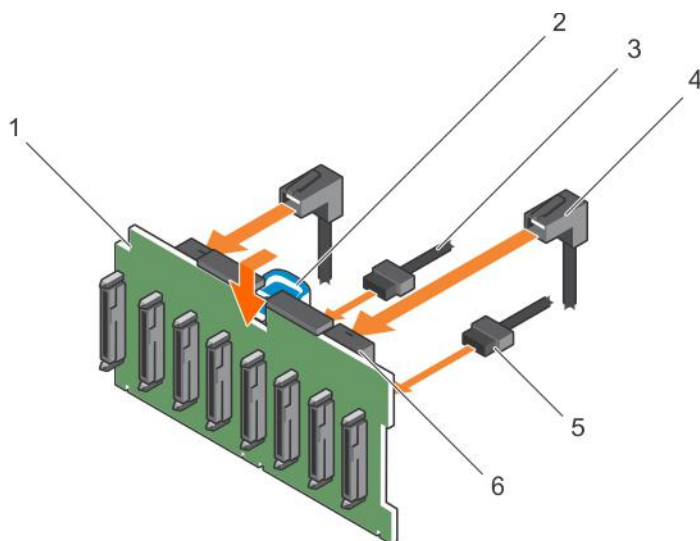


Figure 107. Installing the 2.5 inch (x8) SAS/SATA backplane

- | | |
|--------------------------|------------------|
| 1. hard drive backplane | 2. release tab |
| 3. backplane power cable | 4. SAS cable (2) |

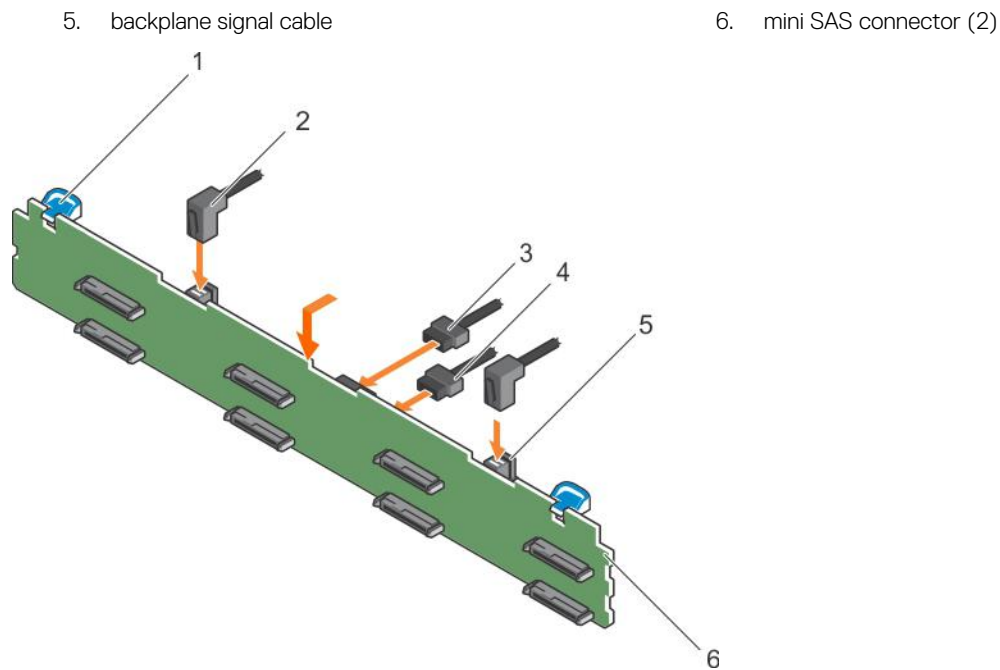


Figure 108. Installing the 3.5 inch (x8) SAS/SATA backplane

- | | |
|-------------------------------|--------------------------|
| 1. release tab (2) | 2. SAS cable (2) |
| 3. backplane signal connector | 4. backplane power cable |
| 5. mini SAS cable connector | 6. hard drive backplane |

Next steps

1. Replace the cooling fan assembly.
2. Replace the cooling shroud.
3. Install the hard drives in their original locations.
4. Follow the procedure listed in the After working inside your system section.

Tape backup unit (optional)

A tape backup unit (TBU) is a data storage device that reads and writes data on a magnetic tape. A TBU has the ability to periodically copy the contents of all or a designated amount of data from its usual storage device to a tape cartridge device so that, in the event that the source get irreparable damaged, the data will not be lost.

The tape backup unit is supported only on 2.5-inch hard drive systems.

Removing the tape backup unit

Prerequisites

1. Follow the safety guidelines listed in safety instructions section.
2. Follow the procedure listed in the Before working inside your system section.

CAUTION: Many repairs may only be done by a certified service technician. You should only perform troubleshooting and simple repairs as authorized in your product documentation, or as directed by the online or telephone service and support team. Damage due to servicing that is not authorized by Dell is not covered by your warranty. Read and follow the safety instructions that are shipped with your product.

Steps

1. Disconnect the power and data cables from the back of the tape backup unit.



Ensure you note the routing of the power and data cables inside the chassis as you remove them from the system board and the tape backup unit. You must route these cables properly when you replace them to prevent them from being pinched or crimped.

2. To remove the tape backup unit, press the release tab and slide the tape backup unit out of the tape backup unit slot.

- NOTE: If the tape backup unit is being permanently removed, install a tape backup unit blank by sliding it into the slot until it snaps into place.
- NOTE: The procedure to install and remove the tape backup unit blank is similar to that of the tape backup unit.
- NOTE: Tape backup unit blank must be installed in empty tape backup unit slot to maintain FCC certification of the system. The blank also keeps dust and dirt out of the system and aid in proper cooling and airflow inside the system.

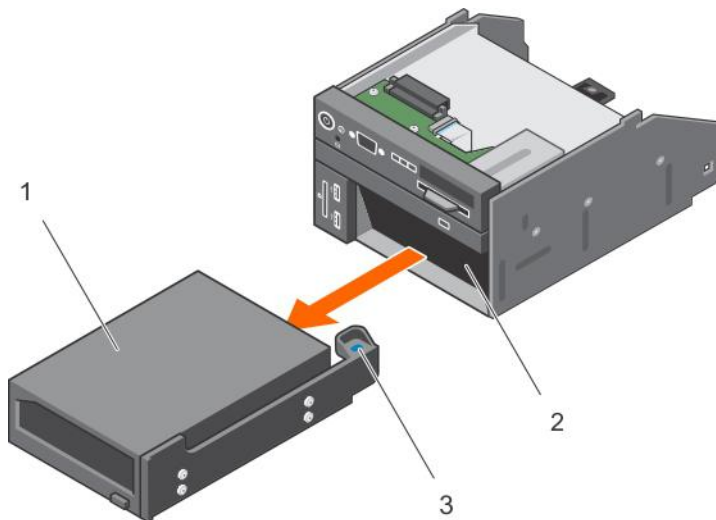


Figure 109. Removing and installing the tape backup unit

- | | |
|---------------------|--------------------------|
| 1. tape backup unit | 2. tape backup unit slot |
| 3. release tab | |

Related links

- [Safety instructions](#)
- [Before working inside your system](#)
- [After working inside your system](#)

Installing the tape backup unit

Prerequisites

1. Follow the safety guidelines listed in safety instructions section.
2. Follow the procedure listed in the Before working inside your system section.

CAUTION: Many repairs may only be done by a certified service technician. You should only perform troubleshooting and simple repairs as authorized in your product documentation, or as directed by the online or telephone service and support team. Damage due to servicing that is not authorized by Dell is not covered by your warranty. Read and follow the safety instructions that are shipped with your product.

Steps

1. Unpack and prepare the tape backup unit for installation.
For instructions, see the documentation that shipped with the drive.
2. If applicable, remove the tape backup unit blank by pressing the release tab and sliding the tape backup unit blank out of the chassis.
3. Slide the tape backup unit into the slot until it snaps into place.

4. Connect the power and data cables to the back of the drive and the system board.

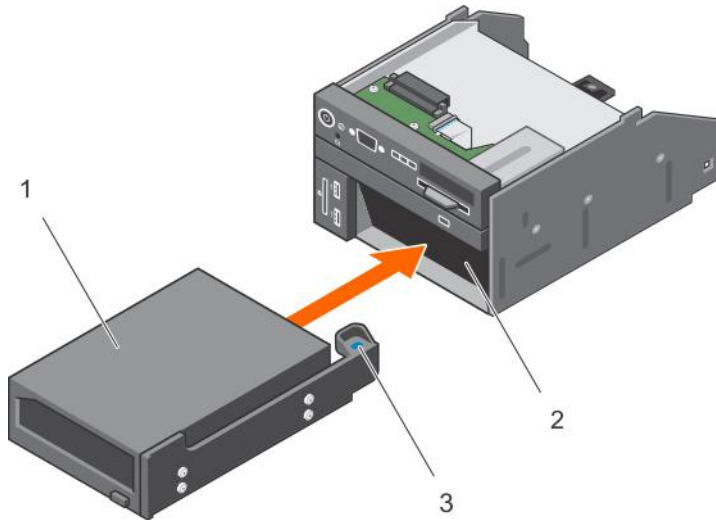


Figure 110. Installing the tape backup unit

- | | |
|---------------------|--------------------------|
| 1. tape backup unit | 2. tape backup unit slot |
| 3. release tab | |

Next steps

Follow the procedure listed in the After working inside your system section.

Related links

- [Safety instructions](#)
- [Before working inside your system](#)
- [After working inside your system](#)

Optical drive (optional)

Optical drives retrieve and store data on optical discs such as compact disks (CD), digital versatile disks (DVD), and Blu-ray discs (BD). Optical drives can be categorized into two basic types: optical disk readers and optical disk writers.

Removing the optical drive

Prerequisites

CAUTION: Many repairs may only be done by a certified service technician. You should only perform troubleshooting and simple repairs as authorized in your product documentation, or as directed by the online or telephone service and support team. Damage due to servicing that is not authorized by Dell is not covered by your warranty. Read and follow the safety instructions that are shipped with your product.

1. Follow the safety guidelines listed in the Safety instructions section.
2. Follow the procedure listed in the Before working inside your system section.

Steps

1. Disconnect the power and data cable from the back of the drive.

NOTE: Ensure that you note the routing of the power and data cable on the side of the system as you remove them from the system board and drive. Route these cables properly when you replace them to prevent them from being pinched or crimped.

2. To release the optical drive, press the release tab.
3. Slide the optical drive out of the system until it is free of the optical drive slot.



4. If you are not adding a new optical drive, install the optical drive blank.

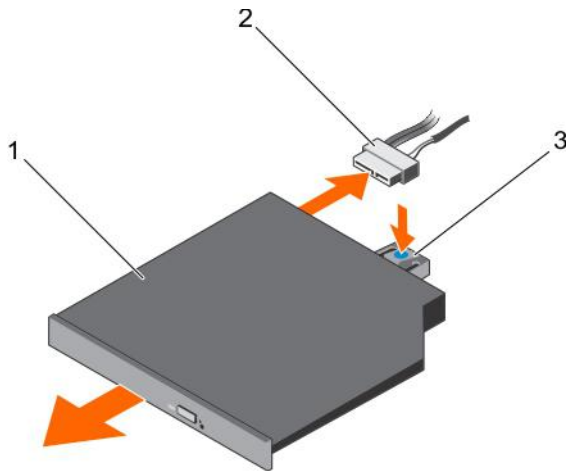


Figure 111. Removing the optional optical drive

1. optical drive
2. power and data cable
3. release tab

Next steps

Follow the procedure listed in the After working inside your system section.

Related links

- [Safety instructions](#)
- [Before working inside your system](#)
- [After working inside your system](#)

Installing the optical drive

Prerequisites

CAUTION: Many repairs may only be done by a certified service technician. You should only perform troubleshooting and simple repairs as authorized in your product documentation, or as directed by the online or telephone service and support team. Damage due to servicing that is not authorized by Dell is not covered by your warranty. Read and follow the safety instructions that are shipped with your product.

1. Follow the safety guidelines listed in the Safety instructions section.
2. Follow the procedure listed in the Before working inside your system section.

Steps

1. Align the optical drive with the optical drive slot on the front of the chassis.
2. Slide in the optical drive until the release tab snaps into place.
3. Connect the power and data cable to the optical drive and system board.

NOTE: Route the cable properly on the side of the system to prevent it from being pinched or crimped.

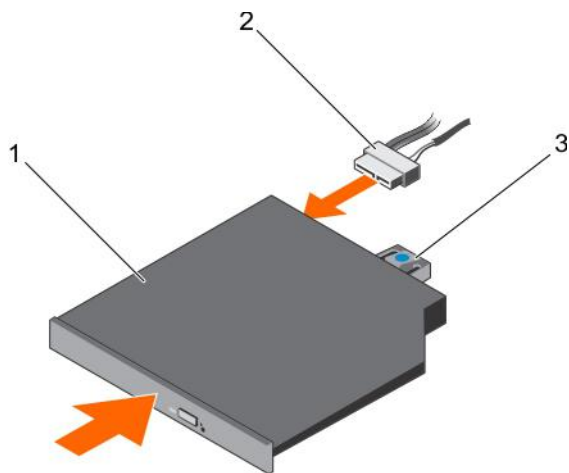


Figure 112. Installing the optional optical drive

1. optical drive
2. power and data cable
3. release tab

Next steps

Follow the procedure listed in the After working inside your system section.

Related links

- [Safety instructions](#)
- [Before working inside your system](#)
- [After working inside your system](#)

SD vFlash media card (optional)

An SD vFlash card is a Secure Digital (SD) card that plugs into the SD vFlash card slot in the iDRAC port card. It provides persistent on-demand local storage and a custom deployment environment that enables automation of server configuration, scripts, and imaging. It emulates USB device(s). For more information, see the Integrated Dell Remote Access Controller User's Guide at Dell.com/idracmanuals.

Replacing an optional SD vFlash media card

1. Locate the SD vFlash media slot on the system.
For PowerEdge R730 systems the SD vFlash media card is located on the front panel of the system.
2. To remove the SD vFlash media card, push the card inward to release it, and pull the card from the card slot.

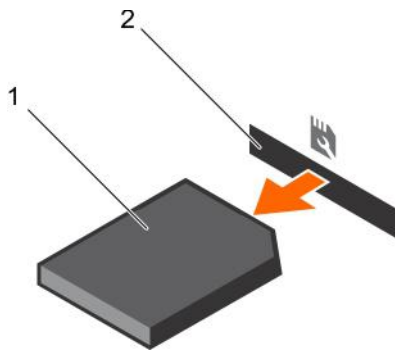


Figure 113. Removing the SD vFlash media card

1. SD vFlash media card
2. SD vFlash media card slot

3. To install an SD vFlash media card, with the label side facing up, insert the contact-pin end of the SD vFlash media card into the card slot on the module.

NOTE: The slot is keyed to ensure correct insertion of the card.

4. Press the card inward to lock it into the slot.

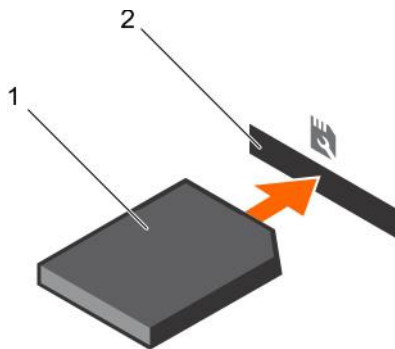


Figure 114. Installing the SD vFlash media card

1. SD vFlash media card
2. SD vFlash media card slot

Control panel assembly

Removing the control panel

Prerequisites

1. Follow the safety guidelines listed in safety instructions section.
2. Follow the procedure listed in the Before working inside your system section.
3. Keep the Phillips #2 screwdriver handy.

CAUTION: Many repairs may only be done by a certified service technician. You should only perform troubleshooting and simple repairs as authorized in your product documentation, or as directed by the online or telephone service and support team. Damage due to servicing that is not authorized by Dell is not covered by your warranty. Read and follow the safety instructions that are shipped with your product.

Steps

1. Using a Phillips #2 screwdriver, remove the screw(s) securing the control panel to the chassis.

CAUTION: Do not use excessive force when removing the control panel as it can damage the connectors.

2. From inside the system, push the control panel out of the chassis.
3. Remove all the cables connecting the control panel to the chassis.

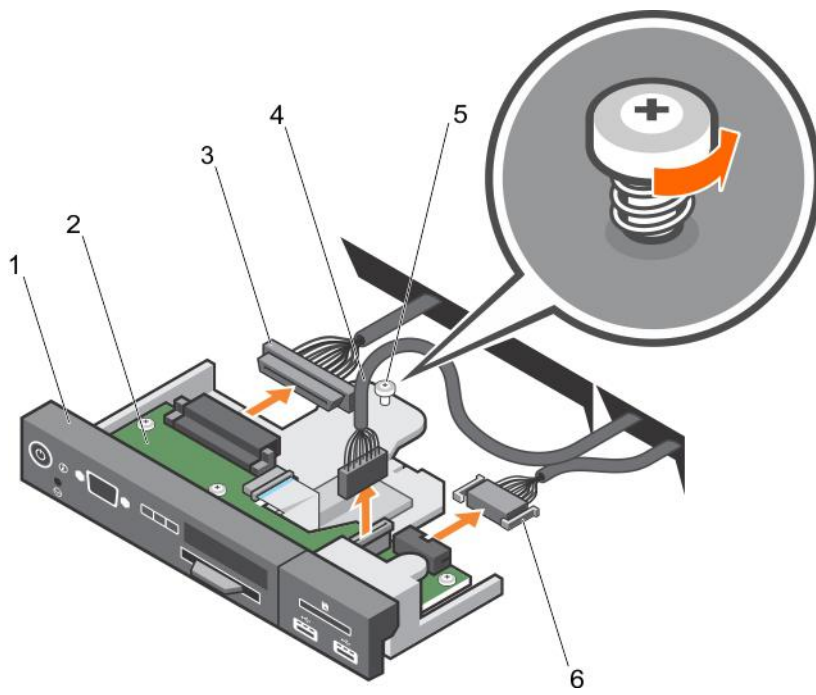


Figure 115. Removing the control panel—3.5 inch hard drive system

- | | |
|----------------------------------|---------------------------------|
| 1. control panel | 2. control panel board |
| 3. control panel connector cable | 4. USB connector cable |
| 5. screw | 6. vFlash media connector cable |

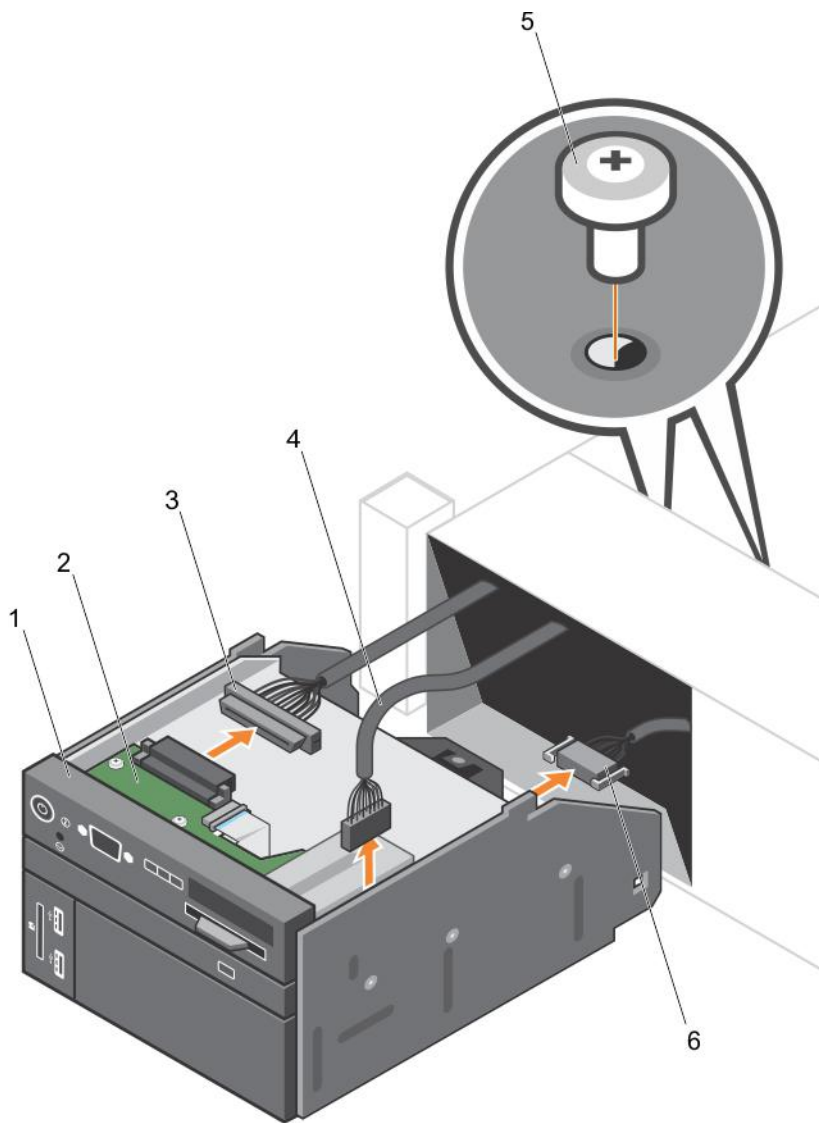


Figure 116. Removing the control panel—2.5 inch hard drive system

- | | |
|----------------------------------|---------------------------------|
| 1. control panel | 2. control panel board |
| 3. control panel connector cable | 4. USB connector cable |
| 5. screw (2) | 6. vFlash media connector cable |
4. Locate and press the tabs on the information tag.
 5. Push the information tag out of the slot to remove it from the control panel.

 **NOTE: Retain the information tag for replacement in the new control panel.**

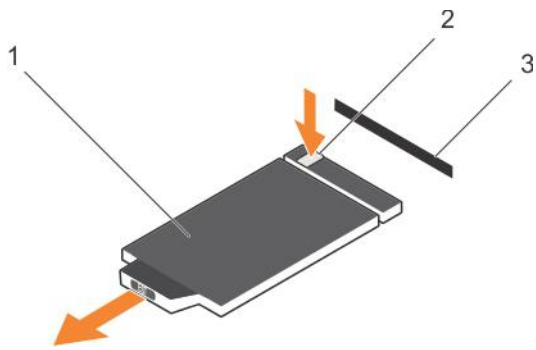


Figure 117. Removing the information tag

1. information tag
2. tab
3. slot

Next steps

1. Replace the control panel.
2. Follow the procedure listed in the After working inside your system section.

Installing the control panel

Prerequisites

1. Follow the safety guidelines listed in safety instructions section.
2. Follow the procedure listed in the Before working inside your system section.
3. Keep the #2 Phillips screwdriver ready.

CAUTION: Many repairs may only be done by a certified service technician. You should only perform troubleshooting and simple repairs as authorized in your product documentation, or as directed by the online or telephone service and support team. Damage due to servicing that is not authorized by Dell is not covered by your warranty. Read and follow the safety instructions that are shipped with your product.

Steps

1. Replace the blank information tag in the new control panel with the information tag retained from the old control panel.

NOTE: Information tag lists system information such as Service Tag, NIC, and MAC address.

2. To install the information tag, push the information tag into the control panel slot.
3. Connect all the applicable cables to the control panel.
4. Slide the control panel into the slot in the chassis and secure the module with the screw.

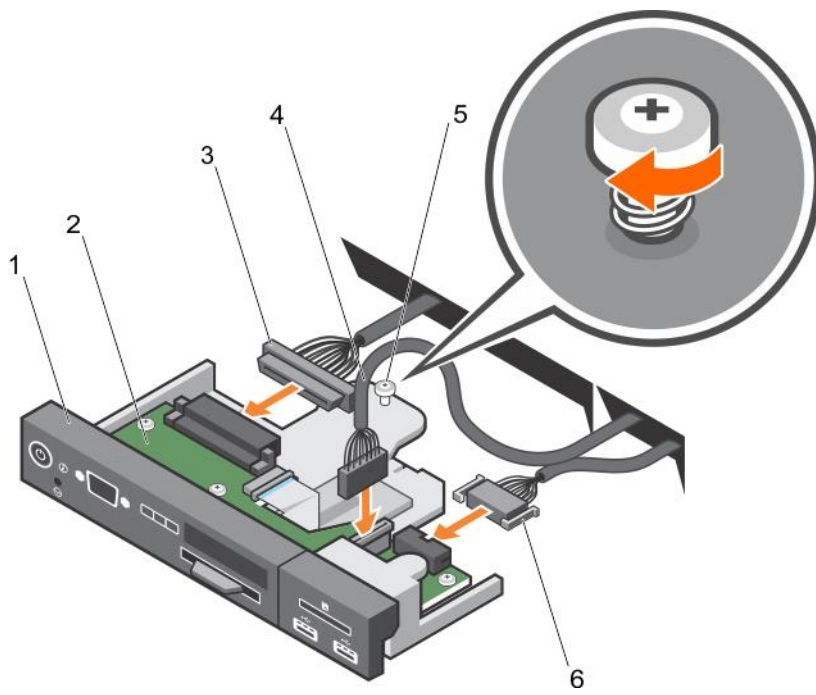


Figure 118. Installing the control panel—3.5 inch hard drive system

- | | |
|----------------------------------|---------------------------------|
| 1. control panel | 2. control panel board |
| 3. control panel connector cable | 4. USB connector cable |
| 5. screw | 6. vFlash media connector cable |

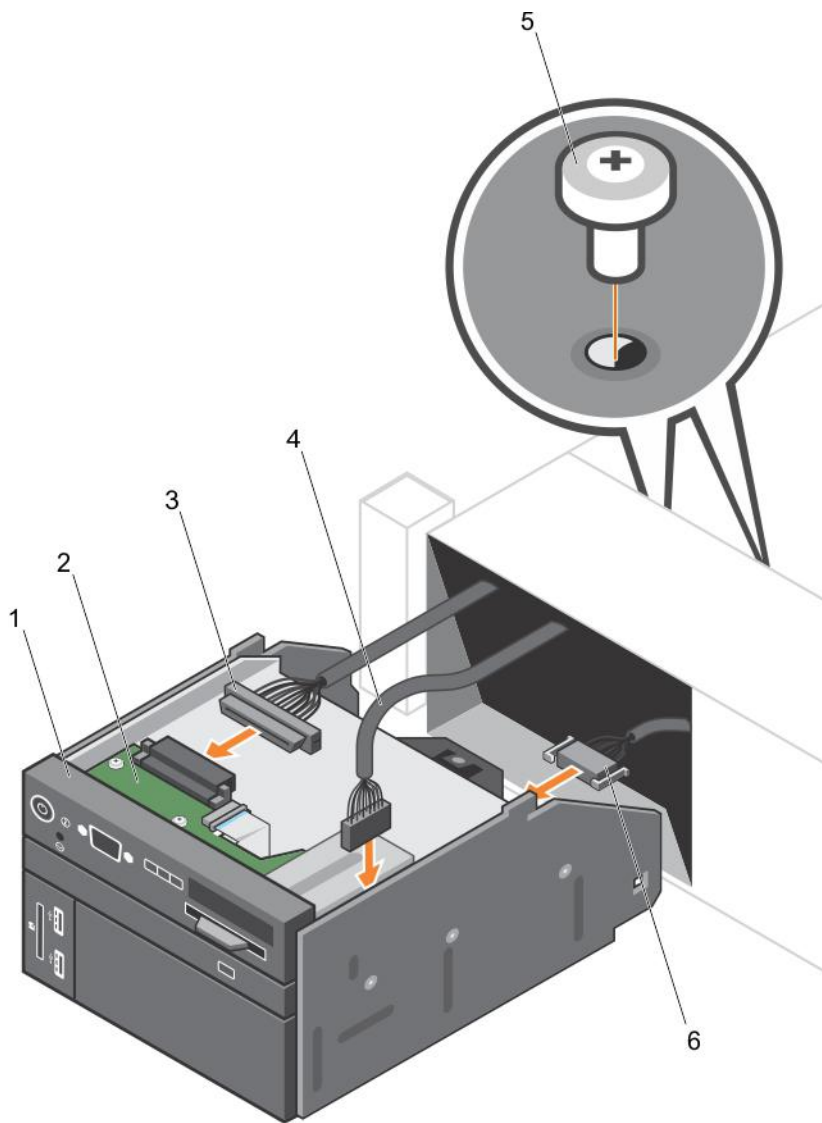


Figure 119. Installing the control panel—2.5 inch hard drive system

- | | |
|----------------------------------|---------------------------------|
| 1. control panel | 2. control panel board |
| 3. control panel connector cable | 4. USB connector cable |
| 5. screw (2) | 6. vFlash media connector cable |

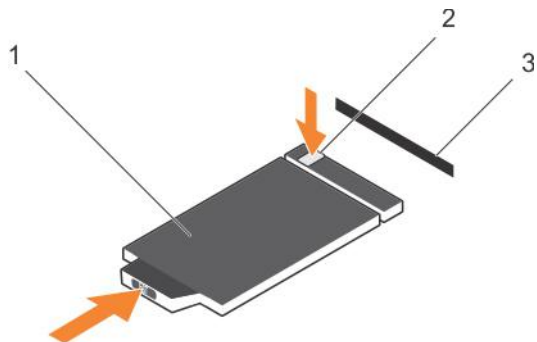


Figure 120. Installing the information tag

- | | |
|--------------------|--------|
| 1. information tag | 2. tab |
|--------------------|--------|

3. slot

Next steps

Follow the procedure listed in the After working inside your system section



Using system diagnostics

If you experience a problem with your system, run the system diagnostics before contacting Dell for technical assistance. The purpose of running system diagnostics is to test your system hardware without requiring additional equipment or risking data loss. If you are unable to fix the problem yourself, service and support personnel can use the diagnostics results to help you solve the problem.

Dell Embedded System Diagnostics

 **NOTE: The Dell Embedded System Diagnostics is also known as Enhanced Pre-boot System Assessment (ePSA) diagnostics.**

The Embedded System Diagnostics provides a set of options for particular device groups or devices allowing you to:

- Run tests automatically or in an interactive mode
- Repeat tests
- Display or save test results
- Run thorough tests to introduce additional test options to provide extra information about the failed device(s)
- View status messages that inform you if tests are completed successfully
- View error messages that inform you of problems encountered during testing

When to use the Embedded System Diagnostics

Run the Embedded System Diagnostics (ePSA) if your system does not boot.

Running the Embedded System Diagnostics from Boot Manager

Prerequisites

Run the Embedded System Diagnostics (ePSA) if your system does not boot.

Steps

1. When the system is booting, press F11.
2. Use the up arrow and down arrow keys to select **System Utilities** → **Launch Diagnostics**.
The **ePSA Pre-boot System Assessment** window is displayed, listing all devices detected in the system. The diagnostics starts executing the tests on all the detected devices.

Running the Embedded System Diagnostics from the Dell Lifecycle Controller

1. As the system boots, press F11.
2. Select **Hardware Diagnostics** → **Run Hardware Diagnostics**.
The **ePSA Pre-boot System Assessment** window is displayed, listing all devices detected in the system. The diagnostics starts executing the tests on all the detected devices.

System diagnostic controls

| Menu | Description |
|----------------------|--|
| Configuration | Displays the configuration and status information of all detected devices. |



| Menu | Description |
|----------------------|---|
| Results | Displays the results of all tests that are run. |
| System health | Provides the current overview of the system performance. |
| Event log | Displays a time-stamped log of the results of all tests run on the system. This is displayed if at least one event description is recorded. |

For information about embedded system diagnostics, see the *ePSA Diagnostics Guide (Notebooks, Desktops and Servers)* available at Dell.com/support/home.







Jumpers and connectors

System board jumper settings

For information on resetting the password jumper to disable a password, see the Disabling a forgotten password section.

Table 44. System board jumper settings

| Jumper | Setting | Description |
|-----------|--|---|
| PWRD_EN |  2 4 6 (default) | The password reset feature is enabled (pins 2–4). BIOS local access is unlocked at the next AC power cycle. |
| |  2 4 6 | The password reset feature is disabled (pins 4–6). |
| NVRAM_CLR |  1 3 5 (default) | The configuration settings are retained at the next system boot (pins 3–5). |
| |  1 3 5 | The configuration settings are cleared at system boot (pins 1–3). |

Related links

[Disabling a forgotten password](#)

System board jumpers and connectors

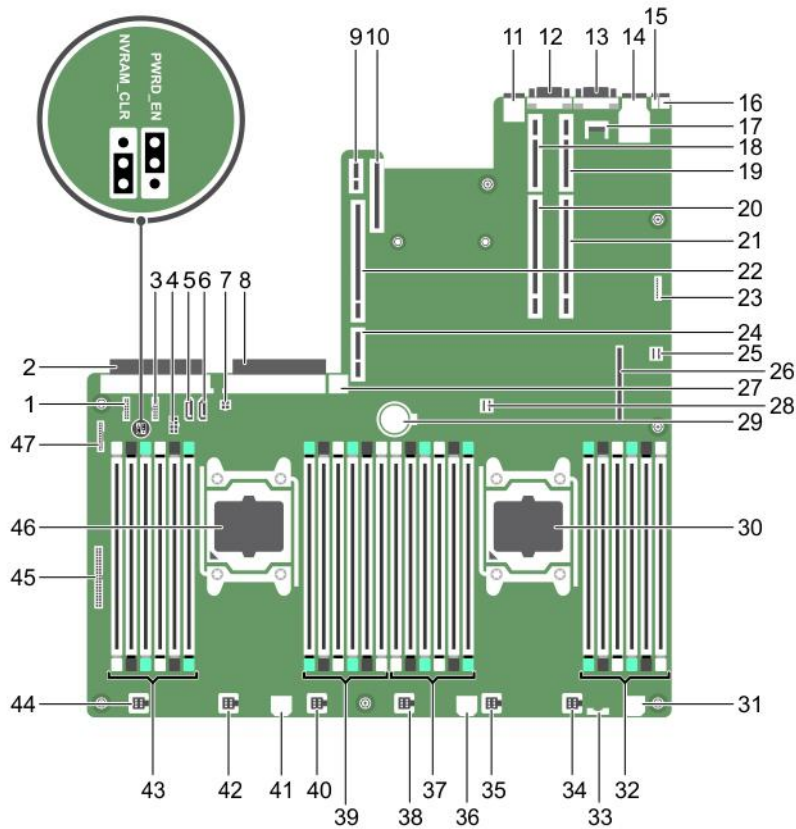


Figure 121. System board jumpers and connectors

Table 45. System board connectors and jumpers

| Item | Connector | Description |
|------|--------------|-----------------------------------|
| 1 | J_BP_SIG1 | Backplane signal connector 1 |
| 2 | J_PS_2 | PSU 2 connector |
| 3 | J_BP_SIG0 | Backplane signal connector 0 |
| 4 | J_BP0 | Backplane power connector 0 |
| 5 | J_SATA_CD | Optical drive SATA connector |
| 6 | J_SATA_TBU | Tape backup unit SATA connector |
| 7 | J_TBU | Tape backup unit power connector |
| 8 | J_PS_1 | PSU 1 connector |
| 9 | J_IDSMD | Internal dual SD module connector |
| 10 | J_NDC | Network daughter card connector |
| 11 | J_USB | USB port |
| 12 | J_VIDEO_REAR | Video connector |


| Item | Connector | Description |
|-------------|--------------------------|-----------------------------------|
| 13 | J_COM1 | Serial connector |
| 14 | J_IDRAC_RJ45 | iDRAC8 connector |
| 15 | J_CYC | System identification connector |
| 16 | CYC_ID | System identification button |
| 17 | J_TPM_MODULE | Trusted Platform Module connector |
| 18 | J_RISER_2AX | Riser 3 connector |
| 19 | J_RISER_1AX | Riser 1 connector |
| 20 | J_RISER_2BX | Riser 2 connector |
| 21 | J_RISER_1BX | Riser 1 connector |
| 22 | J_RISER_3AX | Riser 3 connector |
| 23 | J_GS | Quick Sync bezel connector |
| 24 | J_RISER_3BX | Riser 3 connector |
| 25 | J_SATA_B | Internal SAS connector |
| 26 | J_STORAGE | Mini PERC connector |
| 27 | J_USB_INT | Internal USB port |
| 28 | J_SATA_A | Internal SAS connector |
| 29 | BAT | Battery connector |
| 30 | CPU 2 | Processor 2 socket |
| 31 | J_BP3 | Backplane power connector 3 |
| 32 | B10, B6, B2, B9, B5, B1 | Memory module sockets |
| 33 | J_BP_SIG2 | Backplane signal connector 2 |
| 34 | J_FAN2U_6 | Cooling fan connector |
| 35 | J_FAN2U_5 | Cooling fan connector |
| 36 | J_BP2 | Backplane power connector 2 |
| 37 | B3, B7, B11, B4, B8, B12 | Memory module sockets |
| 38 | J_FAN2U_4 | Cooling fan connector |
| 39 | A10, A6, A2, A9, A5, A1 | Memory module sockets |
| 40 | J_FAN2U_3 | Cooling fan connector |
| 41 | J_BP1 | Backplane power connector |
| 42 | J_FAN2U_2 | Cooling fan connector |
| 43 | A3, A7, A11, A4, A8, A12 | Memory module sockets |
| 44 | J_FAN2U_1 | Cooling fan connector |
| 45 | J_CTRL_PNL | Control panel signal connector |
| 46 | CPU 1 | Processor 1 socket |
| 47 | J_FP_USB | Front panel USB port |



Disabling a forgotten password

The software security features of the system include a system password and a setup password. The password jumper enables these password features or disables them and clears any password(s) currently in use.

Prerequisites

 **CAUTION: Many repairs may only be done by a certified service technician. You should only perform troubleshooting and simple repairs as authorized in your product documentation, or as directed by the online or telephone service and support team. Damage due to servicing that is not authorized by Dell is not covered by your warranty. Read and follow the safety instructions that are shipped with your product.**

Steps

1. Turn off the system, including any attached peripherals, and disconnect the system from the electrical outlet.
2. Remove the system cover.
3. Move the jumper on the system board jumper from pins 4 and 6 to pins 2 and 4.
4. Install the system cover.


The existing passwords are not disabled (erased) until the system boots with the jumper on pins 2 and 4. However, before you assign a new system and/or setup password, you must move the jumper back to pins 4 and 6.

 **NOTE: If you assign a new system and/or setup password with the jumper on pins 2 and 4, the system disables the new password(s) the next time it boots.**

5. Reconnect the system to its electrical outlet and turn the system on, including any attached peripherals.
6. Turn off the system, including any attached peripherals, and disconnect the system from the electrical outlet.
7. Remove the system cover.
8. Move the jumper on the system board jumper from pins 2 and 4 to pins 4 and 6.
9. Install the system cover.
10. Reconnect the system to its electrical outlet and turn the system on, including any attached peripherals.
11. Assign a new system and/or setup password.

Troubleshooting your system

Safety first — for you and your system

 **CAUTION:** Many repairs may only be done by a certified service technician. You should only perform troubleshooting and simple repairs as authorized in your product documentation, or as directed by the online or telephone service and support team. Damage due to servicing that is not authorized by Dell is not covered by your warranty. Read and follow the safety instructions that are shipped with your product.

 **NOTE:** Solution validation was performed by using the factory shipped hardware configuration.

Troubleshooting system startup failure

If you boot the system to the BIOS boot mode after installing an operating system from the UEFI Boot Manager, the system stops responding. To avoid this issue, you must boot to the same boot mode in which you installed the operating system.

For all other startup issues, note the system messages that appear on the screen.

Troubleshooting external connections

Before troubleshooting any external devices, ensure that all external cables are securely attached to the external connectors on your system before troubleshooting any external devices.

Troubleshooting the video subsystem

Prerequisites

 **NOTE:** Ensure the Local Server Video Enabled option is selected in the iDRAC Graphical User Interface (GUI), under Virtual Console. If this option is not selected, local video is disabled.

Steps

1. Check the cable connections (power and display) to the monitor.
2. Check the video interface cabling from the system to the monitor.
3. Run the appropriate diagnostic test.

If the tests run successfully, the problem is not related to video hardware.

Next steps

If the tests fail, see the Getting help section.

Related links

[Getting help](#)



Troubleshooting a USB device

Prerequisites

 **NOTE:** Follow steps 1 to 6 to troubleshoot a USB keyboard or mouse. For other USB devices, go to step 7.

Steps

1. Disconnect the keyboard and/or mouse cables from the system and reconnect them.
2. If the problem persists, connect the keyboard and/or mouse to another USB port on the system.
3. If the problem is resolved, restart the system, enter System Setup, and check if the non-functioning USB ports are enabled.

 **NOTE:** Older operating systems may not support USB 3.0.

4. Check if USB 3.0 is enabled in System Setup. If enabled, disable it and see if the issue is resolved.
5. In **iDRAC Settings Utility**, ensure that **USB Management Port Mode** is configured as **Automatic** or **Standard OS Use**.
6. If the problem is not resolved, replace the keyboard and/or mouse with a known working keyboard or mouse.
If the problem is not resolved, proceed to step 7 to troubleshoot other USB devices attached to the system.
7. Turn off all attached USB devices, and disconnect them from the system.
8. Restart the system.
9. If your keyboard is functioning, enter System Setup, verify that all USB ports are enabled on the **Integrated Devices** screen. If your keyboard is not functioning, use remote access to enable or disable the USB options.
10. Check if USB 3.0 is enabled in System Setup. If it is enabled, disable it and restart your system.
11. If the system is not accessible, reset the NVRAM_CLR jumper inside your system and restore the BIOS to the default settings. See the System board jumper setting section
12. In the **iDRAC Settings Utility**, ensure that **USB Management Port Mode** is configured as **Automatic** or **Standard OS Use**.
13. Reconnect and turn on each USB device one at a time.
14. If a USB device causes the same problem, turn off the device, replace the USB cable with a known good cable, and turn on the device.

Next steps

If all troubleshooting fails, see the Getting help section.

Related links


[Getting help](#)

[System board jumper settings](#)

Troubleshooting iDRAC Direct (USB XML configuration)

For information about USB storage device and server configuration, see the Integrated Dell Remote Access Controller User's Guide at Dell.com/idracmanuals.

Steps

1. Ensure that your USB storage device is connected to the front USB Management Port, identified by  icon.
2. Ensure that your USB storage device is configured with an NTFS or an FAT32 file system with only one partition.
3. Verify that the USB storage device is configured correctly. For more information about configuring the USB storage device, see the Integrated Dell Remote Access Controller User's Guide at Dell.com/idracmanuals.
4. In the **iDRAC Settings Utility**, ensure that **USB Management Port Mode** is configured as **Automatic** or **iDRAC Direct Only**.
5. Ensure that the **iDRAC Managed: USB XML Configuration** option is either **Enabled** or **Enabled only when the server has default credential settings**.
6. Remove and reinsert the USB storage device.
7. If import operation does not work, try with a different USB storage device.

Next steps

If all troubleshooting fails, see the Getting help section.

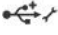
Related links

[Getting help](#)

Troubleshooting iDRAC Direct (Laptop connection)

For information about USB laptop connection and server configuration, see the *Integrated Dell Remote Access Controller User's Guide* at Dell.com/idracmanuals.

Steps

1. Ensure that your laptop is connected to the front USB Management Port, identified by  icon with a USB Type A/A cable.
2. On the **iDRAC Settings Utility** screen, ensure that **USB Management Port Mode** is configured as **Automatic** or **iDRAC Direct Only**.
3. If the laptop is running Windows operating system, ensure that the iDRAC Virtual USB NIC device driver is installed.
4. If the driver is installed, ensure that you are not connected to any network through WiFi or cabled ethernet, as iDRAC Direct uses a non-routable address.

Next steps

If all troubleshooting fails, see the Getting help section.

Related links

[Getting help](#)

Troubleshooting a serial I/O device

Steps

1. Turn off the system and any peripheral devices connected to the serial port.
2. Swap the serial interface cable with a known working cable, and turn on the system and the serial device.
If the problem is resolved, replace the interface cable with a known working cable.
3. Turn off the system and the serial device, and swap the serial device with a compatible device.
4. Turn on the system and the serial device.

Next steps

If the problem persists, see the Getting help section.

Related links

[Getting help](#)

Troubleshooting a NIC

Steps

1. Run the appropriate diagnostic test. For more information, see the Using system diagnostics section for the available diagnostic tests.
2. Restart the system and check for any system messages pertaining to the NIC controller.
3. Check the appropriate indicator on the NIC connector:
 - If the link indicator does not glow, the cable connected might be disengaged.
 - If the activity indicator does not glow, the network driver files might be damaged or missing. Install or replace the drivers as necessary. For more information, see the NIC documentation.
 - If the problem persists, use another connector on the switch or hub.
4. Ensure that the appropriate drivers are installed and the protocols are bound. For more information, see the NIC documentation.
5. Enter System Setup and confirm that the NIC ports are enabled on the **Integrated Devices** screen.
6. Ensure that all the NICs, hubs, and switches on the network are set to the same data transmission speed and duplex. For more information, see the documentation for each network device.



7. Ensure that all network cables are of the proper type and do not exceed the maximum length.

Next steps

If the problem persists, see the Getting help section.

Related links

[Getting help](#)

[Using system diagnostics](#)

Troubleshooting a wet system

Prerequisites



CAUTION: Many repairs may only be done by a certified service technician. You should only perform troubleshooting and simple repairs as authorized in your product documentation, or as directed by the online or telephone service and support team. Damage due to servicing that is not authorized by Dell is not covered by your warranty. Read and follow the safety instructions that are shipped with your product.

Steps

1. Turn off the system and attached peripherals, and disconnect the system from the electrical outlet.
2. Remove the system cover.
3. Remove the following components (if installed) from the system:
 - power supply unit(s)
 - optical drive
 - hard drives
 - hard drive backplane
 - USB memory key
 - hard drive tray
 - cooling shroud
 - expansion card risers (if installed)
 - expansion cards
 - cooling fan assembly (if installed)
 - cooling fans
 - memory modules
 - processor(s) and heat sink(s)
 - system board
4. Let the system dry thoroughly for at least 24 hours.
5. Reinstall the components you removed in step 3 except the expansion cards.
6. Install the system cover.
7. Turn on the system and attached peripherals.
If the problem persists, see the Getting help section.
8. If the system starts properly, shut down the system, and reinstall all the expansion cards that you removed.
9. Run the appropriate diagnostic test. For more information, see the Using system diagnostics section.

Next steps

If the tests fail, see the Getting help section.


Related links

[Getting help](#)

[Using system diagnostics](#)

Troubleshooting a damaged system

Prerequisites

 **CAUTION:** Many repairs may only be done by a certified service technician. You should only perform troubleshooting and simple repairs as authorized in your product documentation, or as directed by the online or telephone service and support team. Damage due to servicing that is not authorized by Dell is not covered by your warranty. Read and follow the safety instructions that are shipped with your product.

Steps

1. Turn off the system and attached peripherals, and disconnect the system from the electrical outlet.
2. Remove the system cover.
3. Ensure that the following components are properly installed:
 - cooling shroud
 - expansion card risers (if installed)
 - expansion cards
 - power supply unit(s)
 - cooling fan assembly (if installed)
 - cooling fans
 - processor(s) and heat sink(s)
 - memory modules
 - hard drive carriers/cage
 - hard drive backplane
4. Ensure that all cables are properly connected.
5. Install the system cover.
6. Run the appropriate diagnostic test. For more information, see the Using system diagnostics section.

Next steps

If the problem persists, see the Getting help section.


Related links

[Getting help](#)

[Using system diagnostics](#)

Troubleshooting the system battery

Prerequisites

 **CAUTION:** Many repairs may only be done by a certified service technician. You should only perform troubleshooting and simple repairs as authorized in your product documentation, or as directed by the online or telephone service and support team. Damage due to servicing that is not authorized by Dell is not covered by your warranty. Read and follow the safety instructions that are shipped with your product.

 **NOTE:** If the system is turned off for long periods of time (for weeks or months), the NVRAM may lose its system configuration information. This situation is caused by a defective battery.

 **NOTE:** Some software may cause the system time to speed up or slow down. If the system seems to operate normally except for the time set in System Setup, the problem may be caused by a software, rather than by a defective battery.

Steps

1. Re-enter the time and date in System Setup.
2. Turn off the system, and disconnect it from the electrical outlet for at least an hour.
3. Reconnect the system to the electrical outlet, and turn on the system.
4. Enter System Setup.



If the date and time displayed in System Setup are not correct, check the System Error Log (SEL) for system battery messages.


Next steps

If the problem persists, see the Getting help section.

Related links

[Getting help](#)

Troubleshooting power supply units

 **CAUTION: Many repairs may only be done by a certified service technician. You should only perform troubleshooting and simple repairs as authorized in your product documentation, or as directed by the online or telephone service and support team. Damage due to servicing that is not authorized by Dell is not covered by your warranty. Read and follow the safety instructions that are shipped with your product.**

Troubleshooting power source problems

1. Press the power button to ensure that your system is turned on. If the power indicator does not glow when the power button is pressed, press the power button firmly.
2. Plug in another working power supply unit to ensure that the system board is not faulty.
3. Ensure that no loose connections exist.
For example, loose power cables.
4. Ensure that the power source meets applicable standards.
5. Ensure that there are no short circuits.
6. Have a qualified electrician check the line voltage to ensure that it meets the needed specifications.

Power supply unit problems

1. Ensure that no loose connections exist.
For example, loose power cables.
2. Ensure that the power supply handle/LED indicates that the power supply is working properly.
3. If you have recently upgraded your system, ensure that the power supply unit has enough power to support the new system.
4. If you have a redundant power supply configuration, ensure that both the power supply units are of the same type and wattage.
If the LED You may have to upgrade to a higher wattage power supply unit.
5. Ensure that you use only power supply units with the Extended Power Performance (EPP) label on the back.
6. Reseat the power supply unit.


 **NOTE: After installing a power supply unit, allow several seconds for the system to recognize the power supply unit and determine if it is working properly.**

If the problem persists, see the Getting help section.

Related links

[Getting help](#)

Troubleshooting cooling problems

 **CAUTION: Many repairs may only be done by a certified service technician. You should only perform troubleshooting and simple repairs as authorized in your product documentation, or as directed by the online or telephone service and support team. Damage due to servicing that is not authorized by Dell is not covered by your warranty. Read and follow the safety instructions that are shipped with your product.**

Ensure that the following conditions exist:

- System cover, cooling shroud, EMI filler panel, memory module blank, or back filler bracket is not removed.

- Ambient temperature is not higher than the system specific ambient temperature.
- External airflow is not obstructed.
- A cooling fan is not removed or has not failed.
- The expansion card installation guidelines have been followed.

Additional cooling can be added by one of the following methods:

From the iDRAC web GUI:

1. Click **Hardware** → **Fans** → **Setup**.
2. From the **Fan Speed Offset** drop-down list, select the cooling level required or set the minimum fan speed to a custom value.

From F2 System Setup:

1. Select **iDRAC Settings** → **Thermal**, and set a higher fan speed from the fan speed offset or minimum fan speed.


From RACADM commands:

1. Run the command `racadm help system.thermalsettings`

For more information, see the Integrated Dell Remote Access User's Guide at Dell.com/idracmanuals.

Troubleshooting cooling fans

Prerequisites

 **CAUTION:** Many repairs may only be done by a certified service technician. You should only perform troubleshooting and simple repairs as authorized in your product documentation, or as directed by the online or telephone service and support team. Damage due to servicing that is not authorized by Dell is not covered by your warranty. Read and follow the safety instructions that are shipped with your product.

 **NOTE:** The fan number is referenced by the systems management software. In the event of a problem with a particular fan, you can easily identify and replace it by noting down the fan numbers on the cooling fan assembly.

1. Follow the safety guidelines listed in safety instructions section.
2. Follow the procedure listed in the Before working inside your system section.

Steps

1. Remove the system cover.
2. Reseat the fan or the fan's power cable.
3. Install the system cover.
4. Restart the system.

Next steps

If the problem persists, see the Getting help section.

Related links


[Getting help](#)

[Safety instructions](#)

[Before working inside your system](#)

Troubleshooting system memory

Prerequisites

 **CAUTION:** Many repairs may only be done by a certified service technician. You should only perform troubleshooting and simple repairs as authorized in your product documentation, or as directed by the online or telephone service and support team. Damage due to servicing that is not authorized by Dell is not covered by your warranty. Read and follow the safety instructions that are shipped with your product.



Steps

1. If the system is operational, run the appropriate system diagnostic test. See the Using system diagnostics section for the available diagnostic tests.
If the diagnostic tests indicate a fault, follow the corrective actions provided by the diagnostic tests.
2. If the system is not operational, turn off the system and attached peripherals, and unplug the system from the power source. Wait at least for 10 seconds, and then reconnect the system to the power source.
3. Turn on the system and attached peripherals, and note the messages on the screen.
If an error message is displayed indicating a fault with a specific memory module, go to step 12.
4. Enter System Setup, and check the system memory setting. Make any changes to the memory settings, if needed.
If the memory settings match the installed memory but the problem still persists, go to step 12.
5. Turn off the system and attached peripherals, and disconnect the system from the electrical outlet.
6. Remove the system cover.
7. Check the memory channels and ensure that they are populated correctly.



NOTE: See the system event log or system messages for the location of the failed memory module. Reinstall the memory device.

8. Reseat the memory modules in their sockets.
9. Install the system cover.
10. Enter System Setup and check the system memory setting.
If the problem is not resolved, proceed with step 11.
11. Remove the system cover.
12. If a diagnostic test or error message indicates a specific memory module as faulty, swap or replace the module with a known working memory module.
13. To troubleshoot an unspecified faulty memory module, replace the memory module in the first DIMM socket with a module of the same type and capacity.
If an error message is displayed on the screen, this may indicate a problem with the installed DIMM type(s), incorrect DIMM installation, or defective DIMM(s). Follow the on-screen instructions to resolve the problem.
14. Install the system cover.
15. As the system boots, observe any error message that is displayed and the diagnostic indicators on the front of the system.
16. If the memory problem persists, repeat step 12 through step 15 for each memory module installed.

Next steps

If the problem persists, see the Getting help section.

Related links

[Getting help](#)

[Using system diagnostics](#)

Troubleshooting an internal USB key

Prerequisites



CAUTION: Many repairs may only be done by a certified service technician. You should only perform troubleshooting and simple repairs as authorized in your product documentation, or as directed by the online or telephone service and support team. Damage due to servicing that is not authorized by Dell is not covered by your warranty. Read and follow the safety instructions that are shipped with your product.

Steps

1. Enter System Setup and ensure that the **USB key port** is enabled on the **Integrated Devices** screen.
2. Turn off the system and attached peripherals, and disconnect the system from the electrical outlet.
3. Remove the system cover.
4. Locate the USB key and reseat it.
5. Install the system cover.

6. Turn on the system and attached peripherals, and check if the USB key is functioning.
7. If the problem is not resolved, repeat step 2 and step 3.
8. Insert a known working USB key.
9. Install the system cover.

Next steps


If the problem persists, see the Getting help section.

Related links

[Getting help](#)


Troubleshooting an SD card

Prerequisites

 **CAUTION:** Many repairs may only be done by a certified service technician. You should only perform troubleshooting and simple repairs as authorized in your product documentation, or as directed by the online or telephone service and support team. Damage due to servicing that is not authorized by Dell is not covered by your warranty. Read and follow the safety instructions that are shipped with your product.

 **NOTE:** Certain SD cards have a physical write-protect switch on the card. If the write-protect switch is turned on, the SD card is not writable.

Steps


1. Enter System Setup, and ensure that the **Internal SD Card Port** is enabled.
2. Turn off the system, including any attached peripherals, and disconnect the system from the electrical outlet.
3. Remove the system cover.
 -  **NOTE:** When an SD card failure occurs, the internal dual SD module controller notifies the system. On the next restart, the system displays a message indicating the failure. If redundancy is enabled at the time of SD card failure, a critical alert will be logged and chassis health will degrade.
4. Replace the failed SD card with a new SD card.
5. Install the system cover.
6. Reconnect the system to its electrical outlet and turn on the system, including any attached peripherals.
7. Enter System Setup, and ensure that the **Internal SD Card Port** and **Internal SD Card Redundancy** modes are set to the needed modes.

Verify that the correct SD slot is set as **Primary SD Card**.
8. Check if the SD card is functioning properly.
9. If the **Internal SD Card Redundancy** option is set to **Enabled** at the time of the SD card failure, the system prompts you to perform a rebuild.

 **NOTE:** The rebuild is always sourced from the primary SD card to the secondary SD card.

Troubleshooting an optical drive

Prerequisites

 **CAUTION:** Many repairs may only be done by a certified service technician. You should only perform troubleshooting and simple repairs as authorized in your product documentation, or as directed by the online or telephone service and support team. Damage due to servicing that is not authorized by Dell is not covered by your warranty. Read and follow the safety instructions that are shipped with your product.

Steps

1. Try using a different CD or DVD.
2. If the problem is not resolved, enter System Setup and ensure that the integrated SATA controller and the drive's SATA port are enabled.
3. Run the appropriate diagnostic test.



4. Turn off the system and attached peripherals, and disconnect the system from the electrical outlet.
5. If installed, remove the bezel.
6. Remove the system cover.
7. Ensure that the interface cable is securely connected to the optical drive and to the controller.
8. Ensure that a power cable is properly connected to the drive.
9. Install the system cover.

Next steps


If the problem persists, see the Getting help section.

Related links

[Getting help](#)

Troubleshooting a tape backup unit

Prerequisites

 **CAUTION:** Many repairs may only be done by a certified service technician. You should only perform troubleshooting and simple repairs as authorized in your product documentation, or as directed by the online or telephone service and support team. Damage due to servicing that is not authorized by Dell is not covered by your warranty. Read and follow the safety instructions that are shipped with your product.

Steps

1. Use a different tape cartridge.
2. Ensure that the device drivers for the tape backup unit are installed and are configured correctly. See your tape drive documentation for more information about device drivers.
3. Reinstall the tape-backup software as instructed in the tape-backup software documentation.
4. Ensure that the interface cable of the tape drive is connected to the external port on the controller card.
5. Perform the following steps to ensure that the controller card is properly installed:
 - a. Turn off the system and attached peripherals, and disconnect the system from the electrical outlet.
 - b. Remove the system cover.
 - c. Reseat the controller card in the expansion card slot.
 - d. Install the system cover.
 - e. Turn on the system and attached peripherals.
6. Run the appropriate diagnostic test. For more information, see the Using system diagnostics.

Next steps

If you cannot resolve the problem, see the Getting help section.


Related links

[Getting help](#)

Troubleshooting a hard drive

Prerequisites

 **CAUTION:** This troubleshooting procedure can erase data stored on the hard drive. Before you proceed, back up all files on the hard drive.

 **CAUTION:** Many repairs may only be done by a certified service technician. You should only perform troubleshooting and simple repairs as authorized in your product documentation, or as directed by the online or telephone service and support team. Damage due to servicing that is not authorized by Dell is not covered by your warranty. Read and follow the safety instructions that are shipped with your product.

Steps

1. Run the appropriate diagnostic test. See the Using system diagnostics section.

Depending on the results of the diagnostics test, proceed as needed through the following steps.

2. If your system has a RAID controller and your hard drives are configured in a RAID array, perform the following steps:
 - a. Restart the system and press F10 during system startup to run the Dell Lifecycle Controller, and then run the Hardware Configuration wizard to check the RAID configuration.
See the Dell Lifecycle Controller documentation or online help for information about RAID configuration.
 - b. Ensure that the hard drives are configured correctly for the RAID array.
 - c. Take the hard drive offline and reseal the drive.
 - d. Exit the configuration utility and allow the system to boot to the operating system.
3. Ensure that the needed device drivers for your controller card are installed and are configured correctly. See the operating system documentation for more information.
4. Restart the system and enter the System Setup.
5. Verify that the controller is enabled and the drives are displayed in the System Setup.

Next steps


If the problem persists, see the Getting help section.

Related links

[Getting help](#)

[Using system diagnostics](#)

Troubleshooting a storage controller

 **CAUTION: Many repairs may only be done by a certified service technician. You should only perform troubleshooting and simple repairs as authorized in your product documentation, or as directed by the online or telephone service and support team. Damage due to servicing that is not authorized by Dell is not covered by your warranty. Read and follow the safety instructions that are shipped with your product.**

 **NOTE: When troubleshooting a SAS or PERC controller, see the documentation for your operating system and the controller.**

1. Run the appropriate diagnostic test. See the Using system diagnostics section.
2. Turn off the system and attached peripherals, and disconnect the system from the electrical outlet.
3. Remove the system cover.
4. Verify that the installed expansion cards are compliant with the expansion card installation guidelines.
5. Ensure that each expansion card is firmly seated in its connector.
6. Install the system cover.
7. Reconnect the system to the electrical outlet, and turn on the system and attached peripherals.
8. If the problem is not resolved, turn off the system and attached peripherals, and disconnect the system from the electrical outlet.
9. Remove the system cover.
10. Remove all expansion cards installed in the system.
11. Install the system cover.
12. Reconnect the system to the electrical outlet, and turn on the system and attached peripherals.
13. Run the appropriate diagnostic test. See the Using system diagnostics section. If the tests fail, see the Getting help section.
14. For each expansion card you removed in step 10, perform the following steps:
 - a. Turn off the system and attached peripherals, and disconnect the system from the electrical outlet.
 - b. Remove the system cover.
 - c. Reinstall one of the expansion cards.
 - d. Install the system cover.
 - e. Run the appropriate diagnostic test. See the Using system diagnostics section.

If the problem persists, see the Getting help section.




Related links

- [Getting help](#)
- [Using system diagnostics](#)
- [Safety instructions](#)
- [Removing the system cover](#)
- [Removing an expansion card from expansion card riser 2 or 3](#)
- [Installing an expansion card into the expansion card riser 2 or 3](#)
- [Installing the system cover](#)

Troubleshooting expansion cards

Prerequisites

 **CAUTION:** Many repairs may only be done by a certified service technician. You should only perform troubleshooting and simple repairs as authorized in your product documentation, or as directed by the online or telephone service and support team. Damage due to servicing that is not authorized by Dell is not covered by your warranty. Read and follow the safety instructions that are shipped with your product.

 **NOTE:** When troubleshooting an expansion card, you also have to see the documentation for your operating system and the expansion card.

Steps

1. Run the appropriate diagnostic test. See the Using system diagnostics section.
2. Turn off the system and attached peripherals, and disconnect the system from the electrical outlet.
3. Remove the system cover.
4. Ensure that each expansion card is firmly seated in its connector.
5. Install the system cover.
6. Turn on the system and attached peripherals.
7. If the problem is not resolved, turn off the system and attached peripherals, and disconnect the system from the electrical outlet.
8. Remove the system cover.
9. Remove all expansion cards installed in the system.
10. Install the system cover.
11. Run the appropriate diagnostic test. See the Using system diagnostics section.
If the tests fail, see the Getting help section.
12. For each expansion card you removed in step 8, perform the following steps:
 - a. Turn off the system and attached peripherals, and disconnect the system from the electrical outlet.
 - b. Remove the system cover.
 - c. Reinstall one of the expansion cards.
 - d. Install the system cover.
 - e. Run the appropriate diagnostic test. See the Using system diagnostics section.

Next steps


If the problem persists, see the Getting help section.

Related links

- [Getting help](#)
- [Using system diagnostics](#)
- [Safety instructions](#)
- [Removing the system cover](#)
- [Removing an expansion card from expansion card riser 2 or 3](#)
- [Installing an expansion card into the expansion card riser 2 or 3](#)
- [Installing the system cover](#)

Troubleshooting processors

Prerequisites

 **CAUTION:** Many repairs may only be done by a certified service technician. You should only perform troubleshooting and simple repairs as authorized in your product documentation, or as directed by the online or telephone service and support team. Damage due to servicing that is not authorized by Dell is not covered by your warranty. Read and follow the safety instructions that are shipped with your product.

Steps

1. Run the appropriate diagnostics test. See the Using system diagnostics section.
2. Turn off the system and attached peripherals, and disconnect the system from the electrical outlet.
3. Remove the system cover.
4. Ensure that the processor and heat sink are properly installed.
5. Install the system cover.
6. Run the appropriate diagnostic test. See the Using system diagnostics section.
7. If the problem persists, see the Getting help section.

Related links

[Getting help](#)

[Using system diagnostics](#)

[Removing the system cover](#)

[Installing the system cover](#)

System messages

For a list of event and error messages generated by the system firmware and agents that monitor system components, see the Dell Event and Error Messages Reference Guide at Dell.com/openmanagemanuals > **OpenManage software**.

Warning messages

A warning message alerts you to a possible problem and prompts you to respond before the system continues a task. For example, before you format a hard drive, a message warns you that you may lose all data on the hard drive. Warning messages usually interrupt the task and require you to respond by typing y (yes) or n (no).

 **NOTE:** Warning messages are generated by either the application or the operating system. For more information, see the documentation that accompanied the operating system or application.

Diagnostic messages

The system diagnostic utilities may issue messages if you run diagnostic tests on your system. For more information about system diagnostics, see the Using System Diagnostics section.

Alert messages

The systems management software generates alert messages for your system. Alert messages include information, status, warning, and failure messages for drive, temperature, fan, and power conditions. For more information, see the systems management software documentation.



Getting help

Contacting Dell

Dell provides several online and telephone-based support and service options. If you do not have an active internet connection, you can find contact information on your purchase invoice, packing slip, bill, or Dell product catalog. Availability varies by country and product, and some services may not be available in your area. To contact Dell for sales, technical assistance, or customer-service issues:

1. Go to **Dell.com/support**.
2. Select your country from the drop-down menu on the bottom right corner of the page.
3. For customized support:
 - a. Enter your system Service Tag in the **Enter your Service Tag** field.
 - b. Click **Submit**.
The support page that lists the various support categories is displayed.
4. For general support:
 - a. Select your product category.
 - b. Select your product segment.
 - c. Select your product.
The support page that lists the various support categories is displayed.
5. For contact details of Dell Global Technical Support:
 - a. Click [Global Technical Support](#).
 - b. The **Technical Support** page is displayed with details to call, chat, or e-mail the Dell Global Technical Support team.

Documentation feedback

You can rate the documentation or write your feedback on any of our Dell documentation pages and click **Send Feedback** to send your feedback.

Accessing system information by using QRL

You can use the Quick Resource Locator (QRL) to get immediate access to the information about your system.

Prerequisites

Ensure that your smartphone or tablet has the QR code scanner installed.

The QRL includes the following information about your system:

About this task

- How-to videos
- Reference materials, including the Owner's Manual, LCD diagnostics, and mechanical overview
- Your system service tag to quickly access your specific hardware configuration and warranty information
- A direct link to Dell to contact technical assistance and sales teams

Steps

1. Go to **Dell.com/QRL** and navigate to your specific product or
2. Use your smartphone or tablet to scan the model-specific Quick Resource (QR) code on your Dell PowerEdge system or in the Quick Resource Locator section.

Quick Resource Locator for PowerEdge R730 and R730xd systems



| Removal topic | Related video |
|---|---|
| Removing the system cover | http://www.Dell.com/QRL/Server/PER730/Cover |
| Removing a cooling fan | http://www.Dell.com/QRL/Server/PER730/Fans |
| Removing the cooling fan assembly | http://www.Dell.com/QRL/Server/PER730/Fans |
| Removing memory modules | http://www.Dell.com/QRL/Server/PER730/DIMMs |
| Removing an AC power supply unit | http://www.Dell.com/QRL/Server/PER730/PSU |
| Removing a hot swappable hard drive or SSD | http://www.Dell.com/QRL/Server/PER730/HDD |
| Removing a hard drive from a hard drive carrier | http://www.Dell.com/QRL/Server/PER730/HDD |